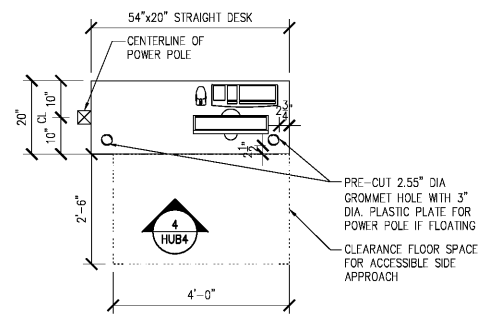
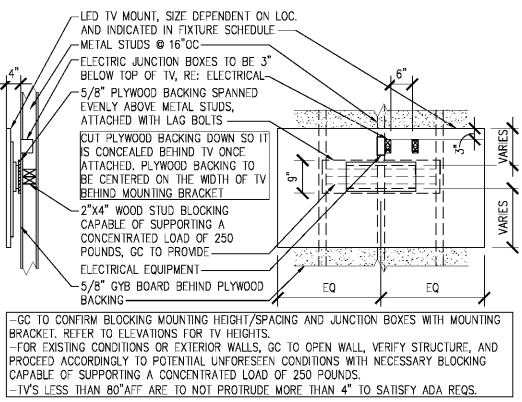


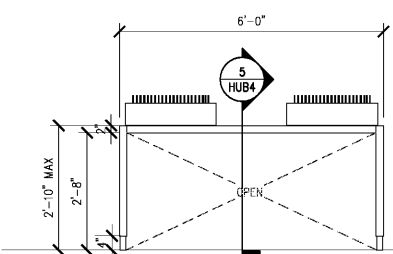
1 ADA LEARNING TABLE  
HUB4 SCALE: 1/2" = 1'-0"



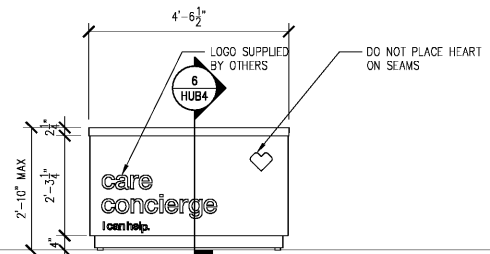
2 ADA CONCIERGE DESK  
HUB4 SCALE: 1/2" = 1'-0"



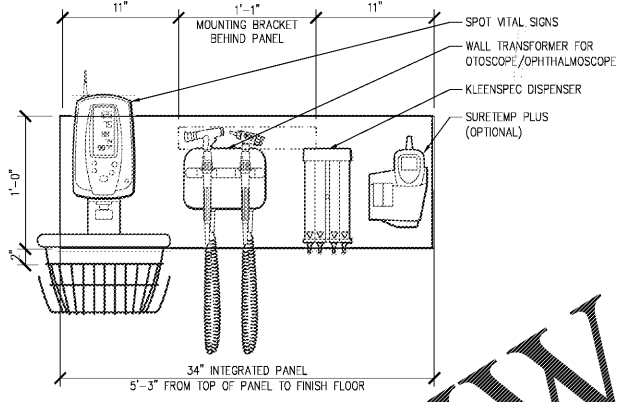
7 TYPICAL TV MOUNTING PLYWOOD BACKING DETAIL FOR NEW CONSTRUCTION  
HUB4 SCALE: 1/2" = 1'-0"



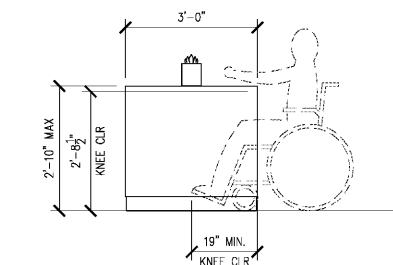
3 ADA LEARNING TABLE ELEVATION  
HUB4 SCALE: 1/2" = 1'-0"



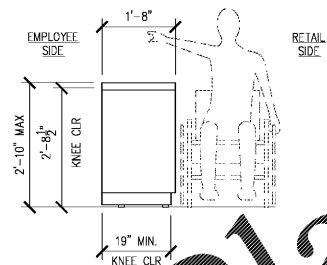
4 ADA CONCIERGE DESK FRONT ELEVATION  
HUB4 SCALE: 1/2" = 1'-0"



8 INTEGRATED WALL PANEL & BP MACHINE (BLOW-UP VIEW)  
HUB4 SCALE: 1 1/2" = 1'-0"



5 ADA LEARNING TABLE SECTION  
HUB4 SCALE: 1/2" = 1'-0"



6 ADA CONCIERGE DESK SECTION  
HUB4 SCALE: 1/2" = 1'-0"

Order Plans @ WWW.LDILine.com



HEALTH HUB/Rx CONSULTATION  
STORE NUMBER: 4176

11 RIVER RIDGE DRIVE, OAKLEY PLAZA  
ASHEVILLE, NC 28803  
CAP CODE: 90

CS PROJECT NUMBER: 146740

ARCHITECT OF RECORD:



www.littleonline.com

The drawings and the design shown on the sheets of Little Architectural are the property of Little Architectural. Any reproduction, copying or reuse of this drawing without their written consent is prohibited and any infringement will be subject to legal action.



DEVELOPER:



SEAL:



REVISIONS:

DRAWING BY: JC

CVS PROJECT MANAGER: RJ

DATE: 11-02-2020

JOB NUMBER: 121-14217-08

TITLE:

HEALTHHUB  
SECTIONS & DETAILS

SHEET NUMBER:

HUB4

COMMENTS: