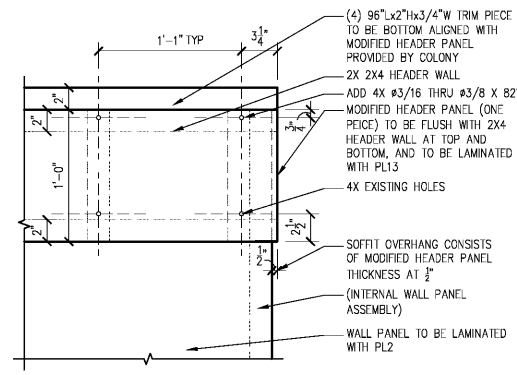


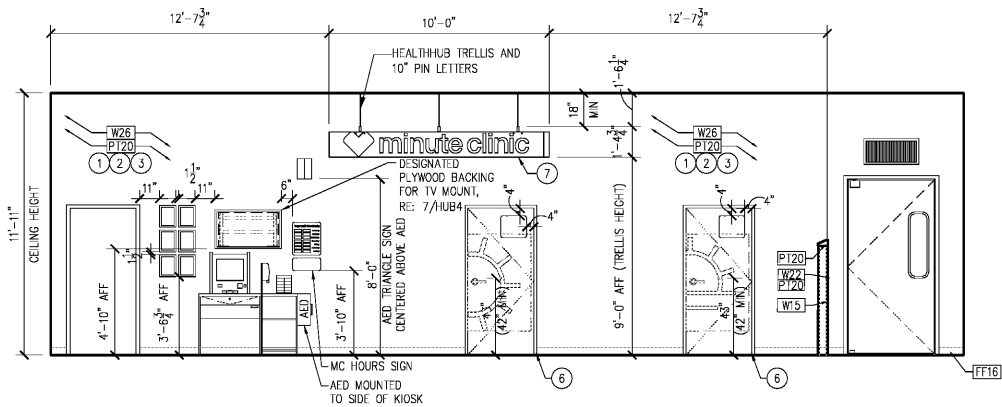
1 HEALTHHUB WAITING ELEVATION
HUB3.1 SCALE: 1/4" = 1'-0"



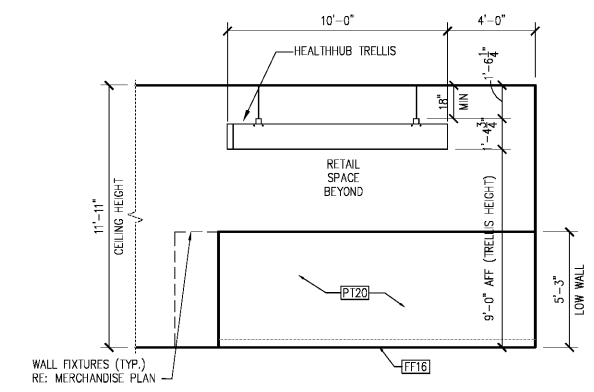
5 PREFABRICATED MATERIAL TRANSITION DETAIL
HUB3.1-BK1 SCALE: 1 1/2" = 1'-0"

LEGEND	
XX	FINISH DESIGNATION - REFERENCE FINISH SCHEDULE

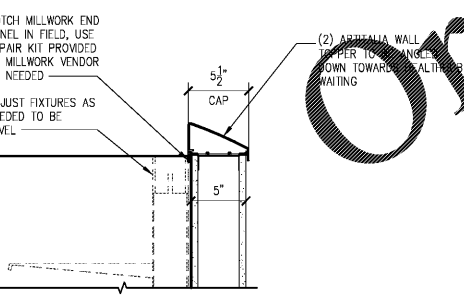
NOTES BY SYMBOL	
1	INSTALL NEW WALL COVERING AS SHOWN/SCHEDULED.
2	INSTALL NEW CHAIR RAIL AS SHOWN/SCHEDULED.
3	WALL TO RECEIVE A LEVEL 5 GYPSUM BOARD FINISH IN ACCORDANCE WITH LEVELS DEFINED IN ASTM C840. PRIME WITH PT20 AS SCHEDULED.
4	DEMOLISH EXISTING WALL COVERING, TRIM, AND LAMINATE. SKIM COAT AS REQUIRED.
5	PATCH/PAINT AS SHOWN/SCHEDULED.
6	PAINT DOOR FRAME ONLY PT20 STAIN DOOR PT25
7	BOTTOM OF HEALTHHUB TRELLIS TO BE 9'-0" AWAY FROM FLOOR WITH 18" MINIMUM REQUIREMENT (FOR SPRINKLERS) FROM BOTTOM OF HEALTHHUB TRELLIS TO CEILING 9'-0" CEMENT TO MATCH DRIVE AISLE MARKERS AND MAKE CHANGE BASED ON CEILING HEIGHT.



2 HEALTHHUB WAITING ELEVATION
HUB3.1 SCALE: 1/4" = 1'-0"



3 HEALTHHUB WAITING ELEVATION
HUB3.1 SCALE: 1/4" = 1'-0"



4 ANGLED WALL CAP ATTACHMENT DETAIL
HUB3.1 SCALE: 1 1/2" = 1'-0"

Order Plans @ www.LDILine.com



HEALTH HUB/Rx CONSULTATION
STORE NUMBER: 4176

11 RIVER RIDGE DRIVE, OAKLEY PLAZA
ASHEVILLE, NC 28803
CAP CODE: 90

CS PROJECT NUMBER: 146740

ARCHITECT OF RECORD:



www.littleonline.com

The drawings and the design shown on the property of Little Architecture, a registered architect. The reproduction, copying or alteration of this drawing without the written consent of the architect is prohibited and any responsibility will be subject to legal action.



DEVELOPER:



SEAL:



REVISIONS:

DRAWING BY: JC

CVS PROJECT MANAGER: RJ

DATE: 11-02-2020

JOB NUMBER: 121-14217-08

TITLE:

HEALTHHUB ELEVATIONS

SHEET NUMBER:

HUB3.1

COMMENTS: