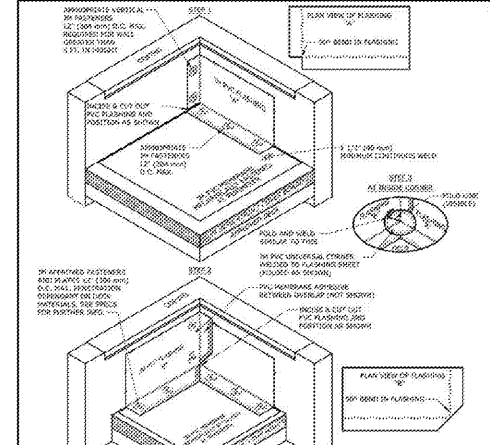


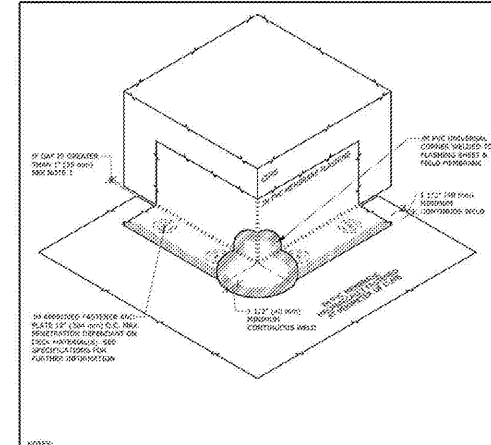
**P-FC-06**  
FLASHING WALL WITH TERM BAR AND CORNER COPING

NO.:	060710
DATE:	07/15/10
BY:	JM
CHK:	JM



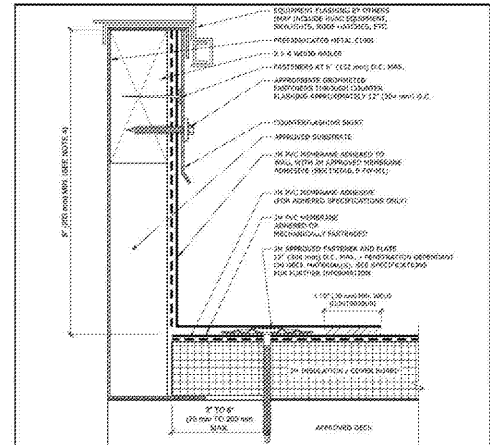
**P-FC-04**  
INSIDE CORNER

NO.:	060710
DATE:	07/15/10
BY:	JM
CHK:	JM



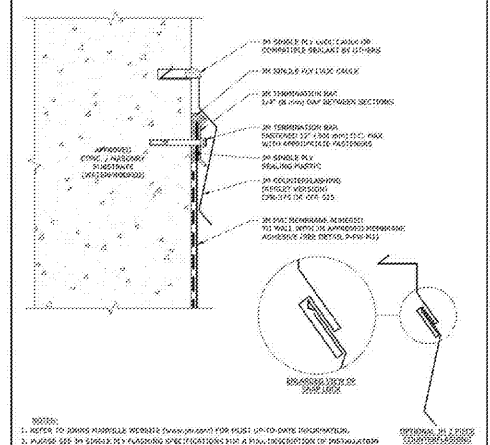
**P-FC-03**  
OUTSIDE CORNER

NO.:	060710
DATE:	07/15/10
BY:	JM
CHK:	JM



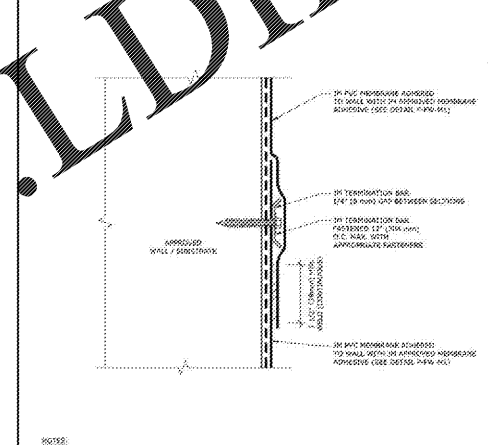
**P-FC-01**  
PREFABRICATED METAL CURBS BASE FLASHING

NO.:	060710
DATE:	07/15/10
BY:	JM
CHK:	JM



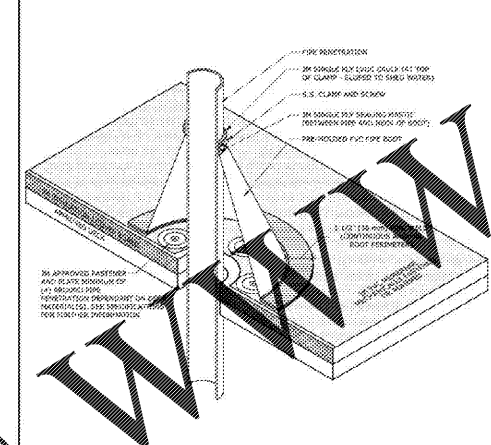
**P-FW-17**  
PVC INTERMEDIATE TERMINATION WITH COUNTER FLASHING & CUT IN RESLET

NO.:	060710
DATE:	07/15/10
BY:	JM
CHK:	JM



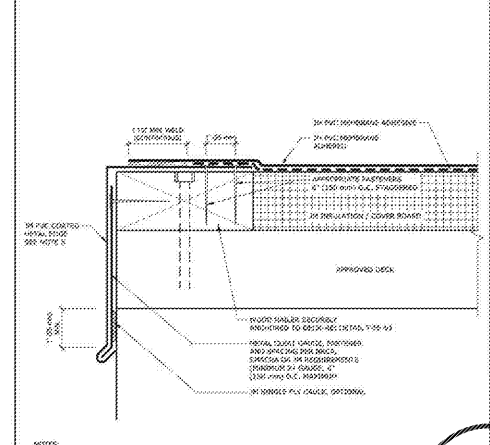
**P-FW-13**  
PVC INTERMEDIATE MEMBRANE ATTACHMENT WITH TERM BAR

NO.:	060710
DATE:	07/15/10
BY:	JM
CHK:	JM



**P-PP-01**  
PVC PIPE BOOT

NO.:	060710
DATE:	07/15/10
BY:	JM
CHK:	JM



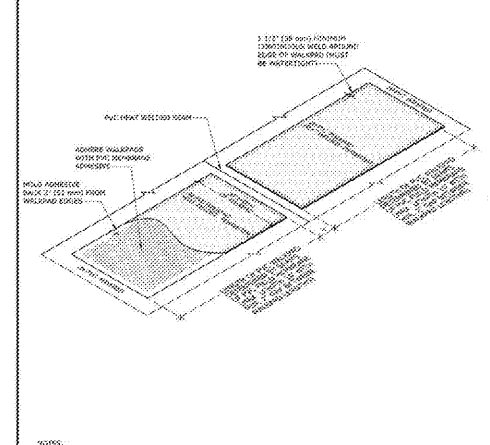
**P-FE-CM2**  
DRIP EDGE ADHERED MEMBRANE ONLY (PVC COATED METAL)

NO.:	060710
DATE:	07/15/10
BY:	JM
CHK:	JM



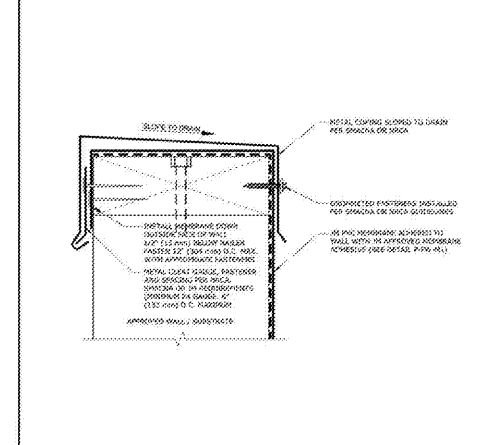
**P-FW-T1**  
FABRICATED METAL COPING OVER ADHERED PVC

NO.:	060710
DATE:	07/15/10
BY:	JM
CHK:	JM



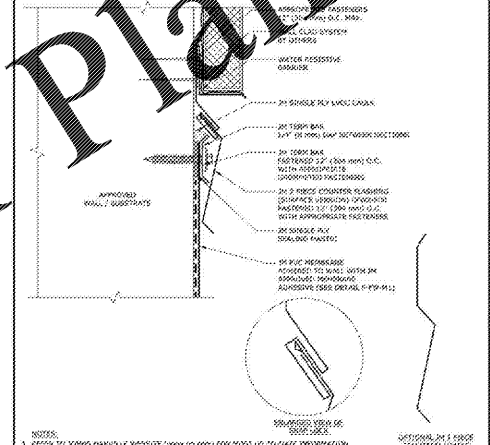
**P-PT-05**  
PVC WALKPADS OVER ADHERED PVC MEMBRANE

NO.:	060710
DATE:	07/15/10
BY:	JM
CHK:	JM



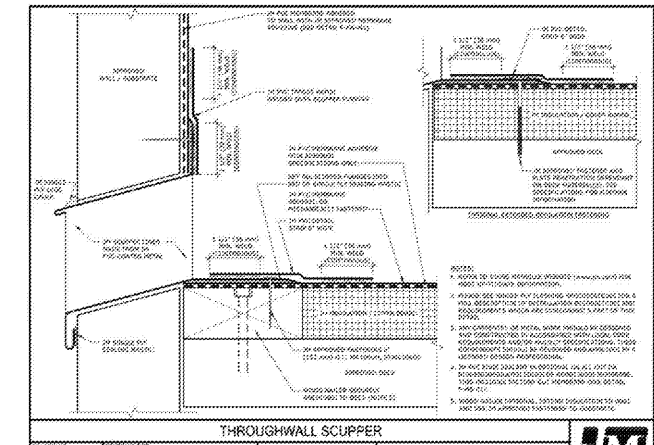
**P-FW-B1**  
BASE TIE IN (FASTENER & PLATE)

NO.:	060710
DATE:	07/15/10
BY:	JM
CHK:	JM



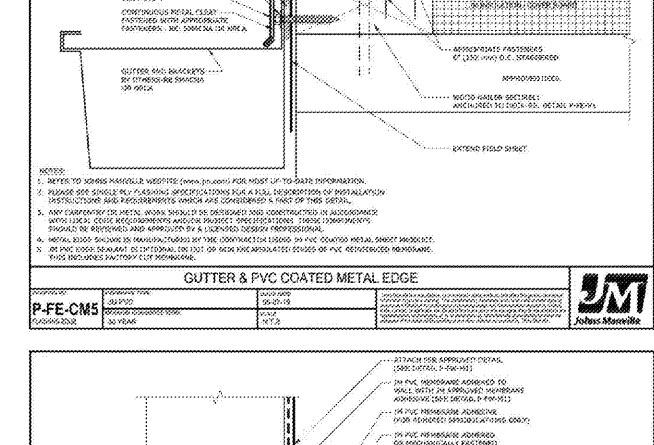
**P-FW-11**  
PVC INTERMEDIATE TERMINATION BELOW WALL CLADDING

NO.:	060710
DATE:	07/15/10
BY:	JM
CHK:	JM



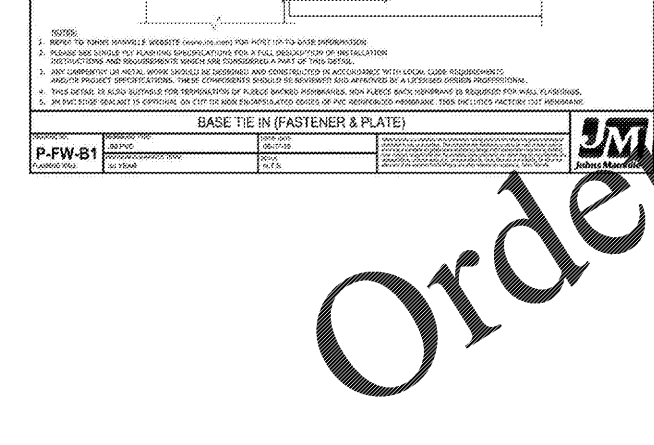
**P-DV-03**  
THROUGHWALL SCUPPER

NO.:	060710
DATE:	07/15/10
BY:	JM
CHK:	JM



**P-FE-CM5**  
GUTTER & PVC COATED METAL EDGE

NO.:	060710
DATE:	07/15/10
BY:	JM
CHK:	JM



**P-FW-11**  
PVC INTERMEDIATE TERMINATION BELOW WALL CLADDING

NO.:	060710
DATE:	07/15/10
BY:	JM
CHK:	JM

Order Plans @

ROOF DETAILS  
NOT TO SCALE