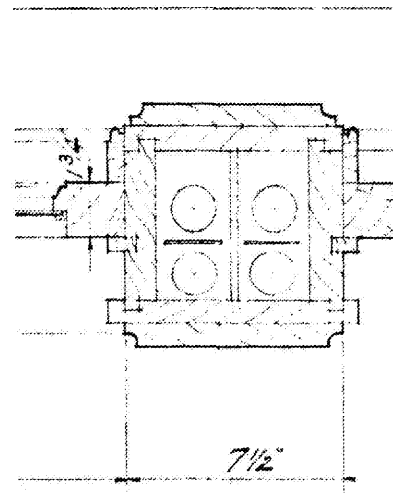
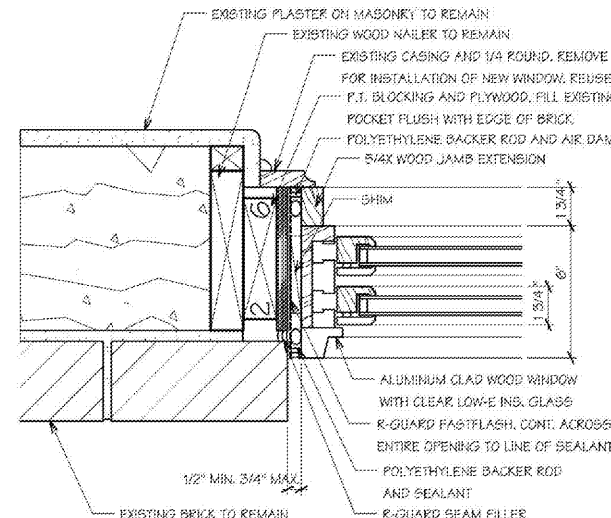


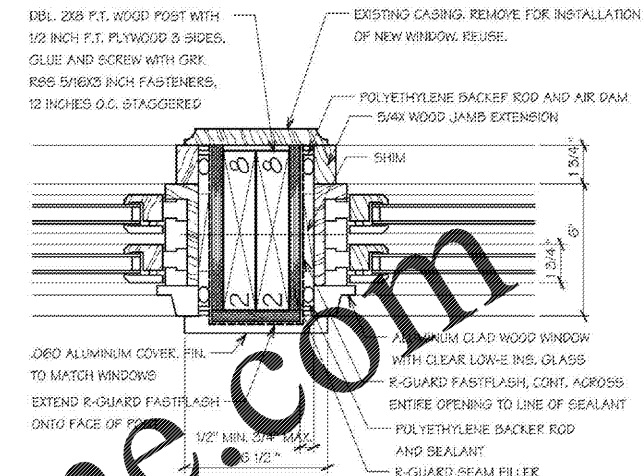
1 ORIGINAL JAMB



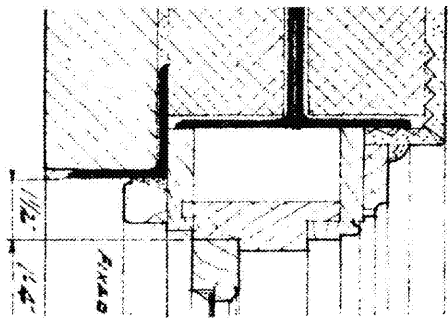
2 ORIGINAL POST



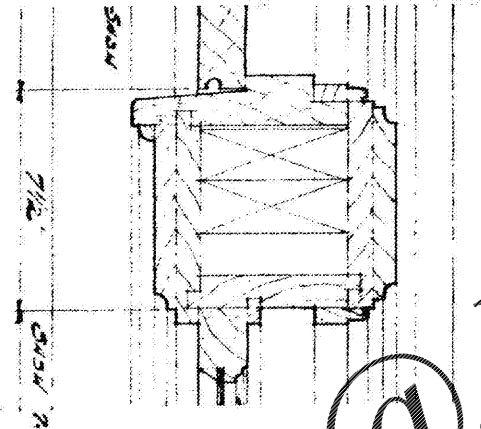
3 TYP. WINDOW JAMB



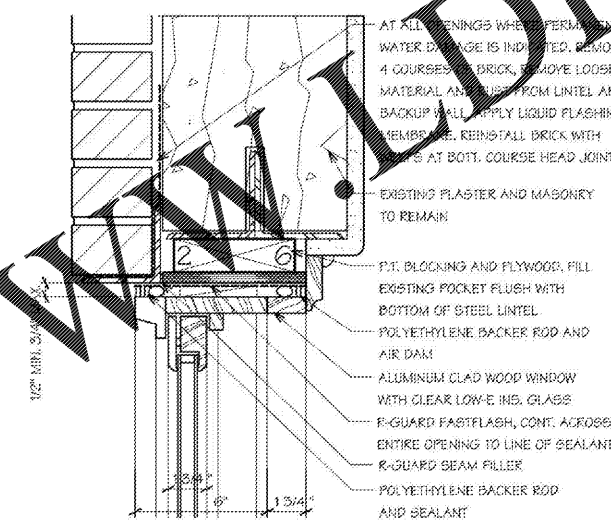
4 TYP. WINDOW POST



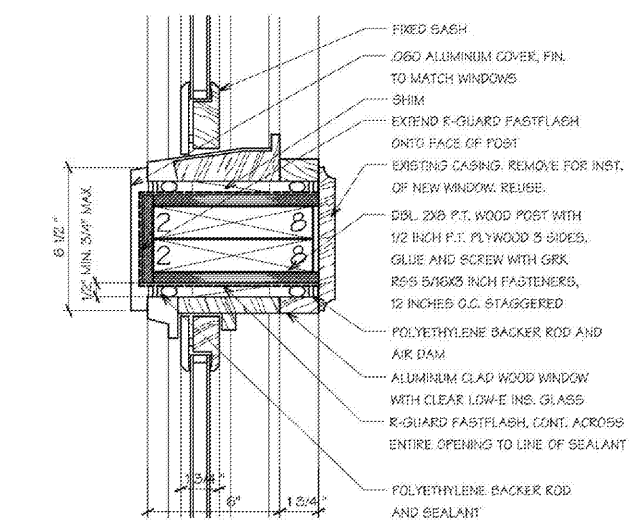
5 ORIGINAL HEAD



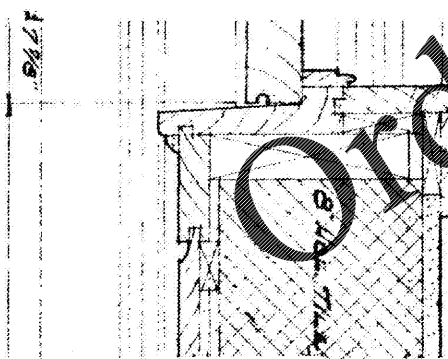
6 ORIGINAL BEAM



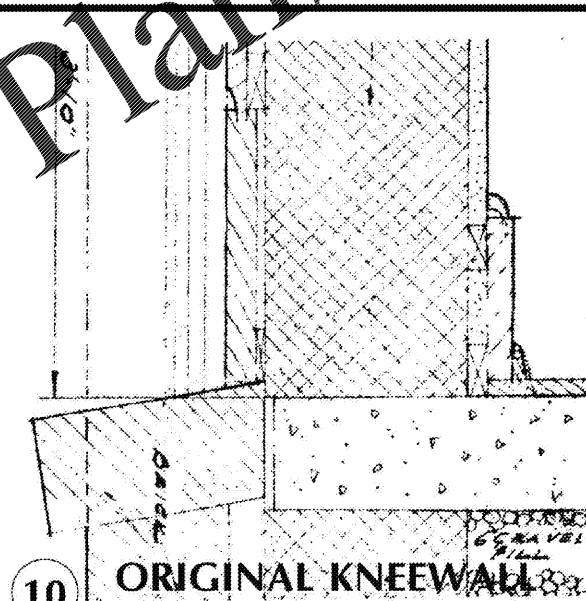
7 TYP. WINDOW HEAD



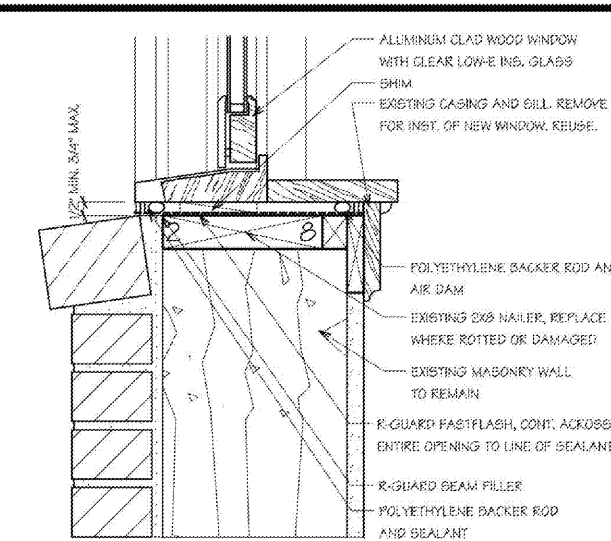
8 TYP. WINDOW BEAM



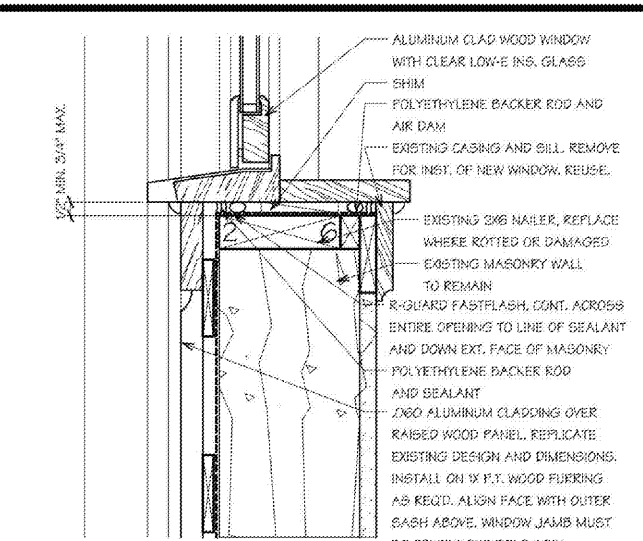
9 ORIGINAL SILL



10 ORIGINAL KNEEWALL



11 TYP. WINDOW SILL



12 KNEEWALL PANEL

1916

09.16.20

UWG 10-19097
MARTHA MUNRO
ENVELOPE RENOVATION

FLYNN-FINDERUP
ARCHITECTS



A5.1

ISSUED FOR CONSTRUCTION