

The Contractor shall verify and be responsible for all dimensions. DO NOT scale the drawing - any errors or omissions shall be reported to archSTUDIO7, PLLC without delay. The Copyrights to all designs and drawings are the property of archSTUDIO7, PLLC. Reproduction or use for any purpose other than that authorized by archSTUDIO7, PLLC is forbidden.

Consultants:



Permit - Seal:

PRELIMINARY  
NOT FOR CONSTRUCTION  
OR PRICING

10/20/2020

NOT FOR  
CONSTRUCTION

Issued / Revisions: Appd. Date

Client:



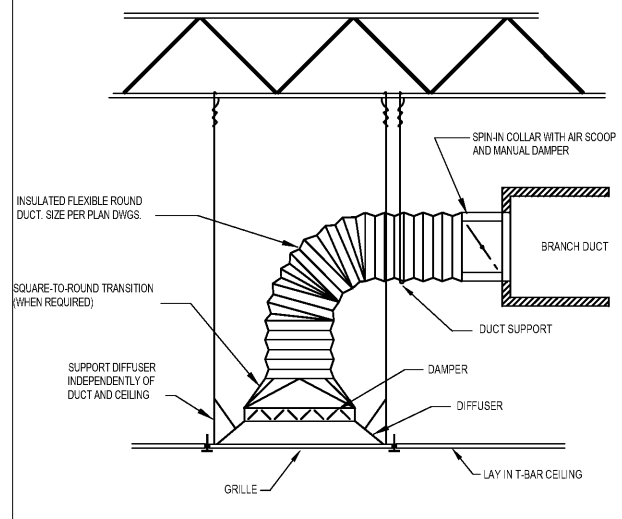
Project:  
**Storage Facility**  
Country Club Rd.  
Winston-Salem, NC

Title:

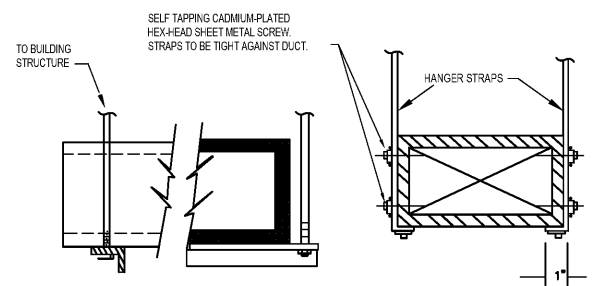
**MECHANICAL  
DETAILS**

Date:  
Project No.: Drawn by:  
Sheet:

M-301



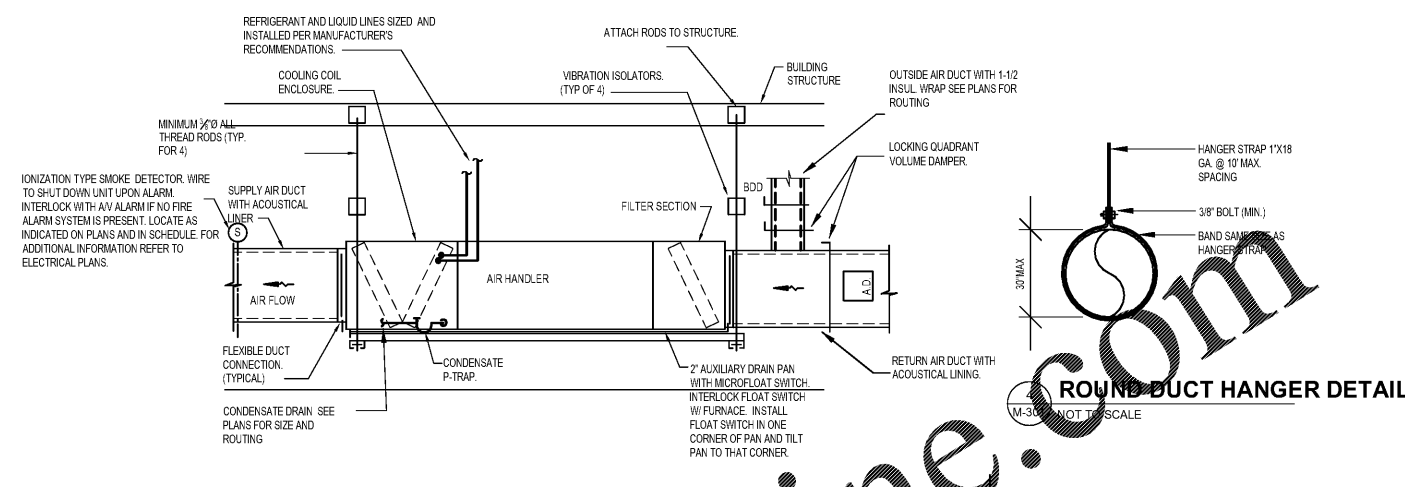
1 LAY-IN AIR DEVICE INSTALLATION DETAIL  
M-301 NOT TO SCALE



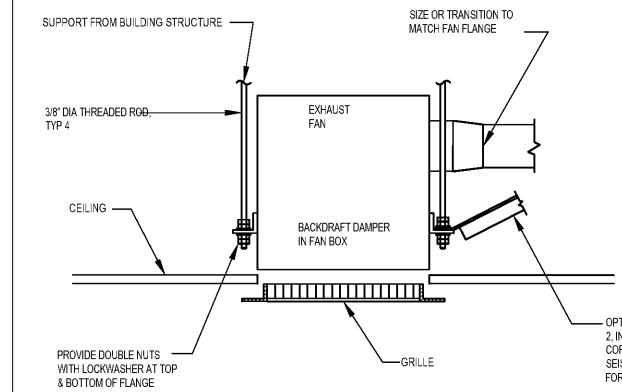
HANGER SIZES FOR RECTANGULAR DUCTS

MAX. SIDE	HANGER	SUPPORT ANGLE HORIZONTAL	SPACING MAXIMUM
30"	1" x 1/8" GAUGE STRAP	NONE REQUIRED	10'-0"
36"	1/4" ROUND ROD	1-1/2" x 1-1/2" x 1/8"	8'-0"
48"	1/4" ROUND ROD	2" x 2" x 1/8"	8'-0"
60"	5/16" ROUND ROD	2" x 2" x 1/8"	8'-0"
84"	3/8" ROUND ROD	2" x 2" x 1/8"	8'-0"

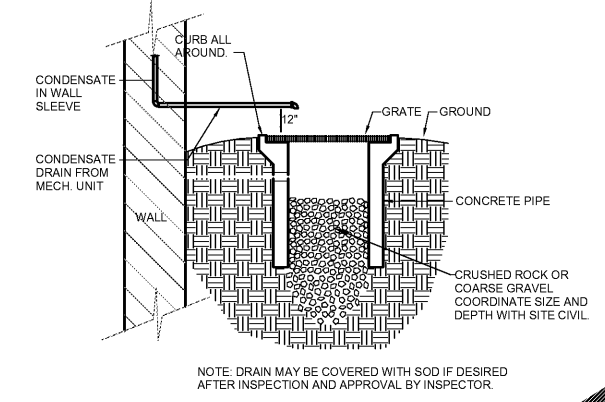
2 RECTANGULAR DUCT HANGER DETAIL  
M-301 NOT TO SCALE



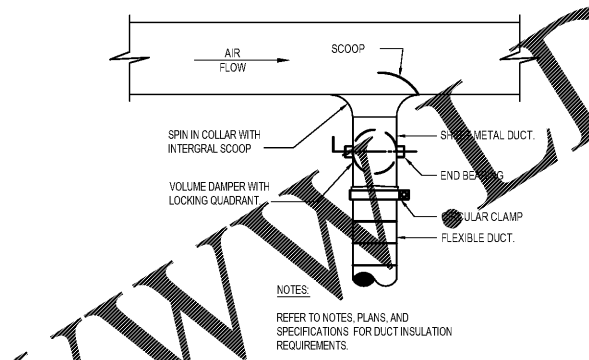
3 AIR HANDLER DETAIL  
M-301 NOT TO SCALE



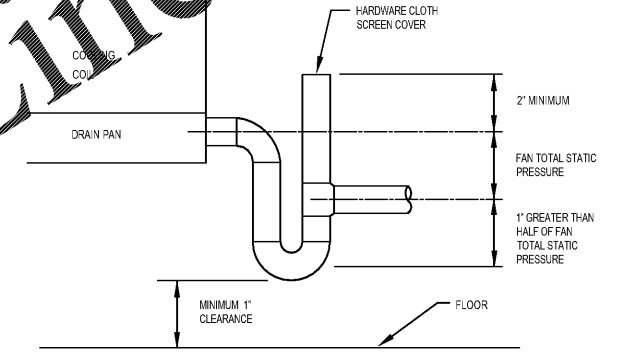
5 CEILING EXHAUST FAN  
M-301 NOT TO SCALE



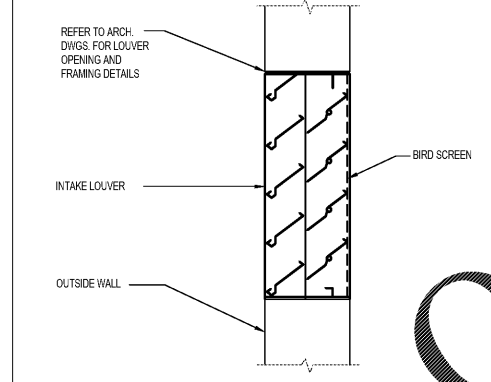
6 DRYWELL DETAIL  
M-301 NOT TO SCALE



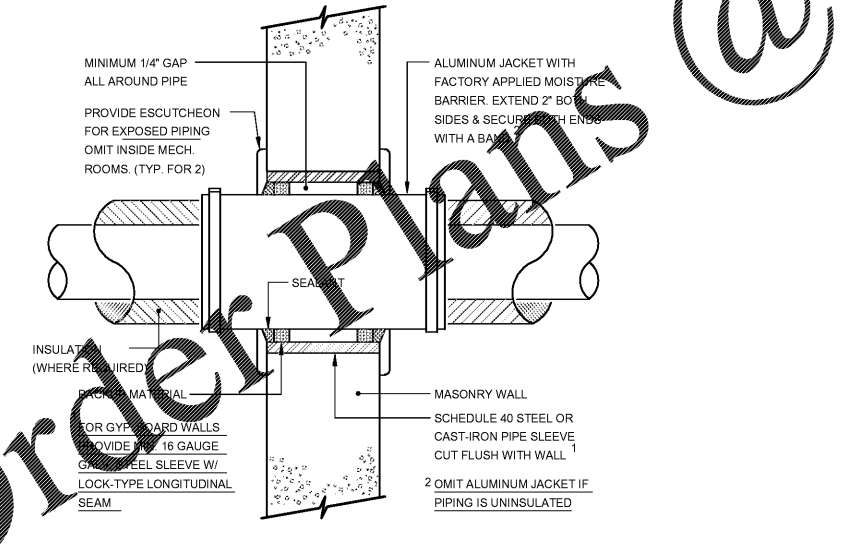
7 TYPICAL BRANCH TAKE-OFF DETAIL  
M-301 NOT TO SCALE



8 PIPED CONDENSATE DRAIN DETAIL  
M-301 NOT TO SCALE



9 COMBINATION LOUVER DETAIL  
M-301 NOT TO SCALE



10 WALL PIPE PENETRATION DETAIL  
M-301 NOT TO SCALE

Order Plans @