

The Contractor shall verify and be responsible for all dimensions. DO NOT scale the drawing - any errors or omissions shall be reported to archSTUDIO7, PLLC without delay. The Copyrights to all designs and drawings are the property of archSTUDIO7, PLLC. Reproduction or use for any purpose other than that authorized by archSTUDIO7, PLLC is prohibited.

Consultants:
Structural:
Jerry W. Moorefield PE
University Commercial Center
7990 North Point Boulevard
Winston-Salem, NC 27106
Ph. 336.593.9623

Permit - Seal:

NOT FOR CONSTRUCTION

PRICING SET	11-2-20
Issued / Revisions:	Appd. Date

Client:



Project:
Storage Facility
Country Club Rd.
Winston-Salem, NC

Title:

SECTIONS AND DETAILS

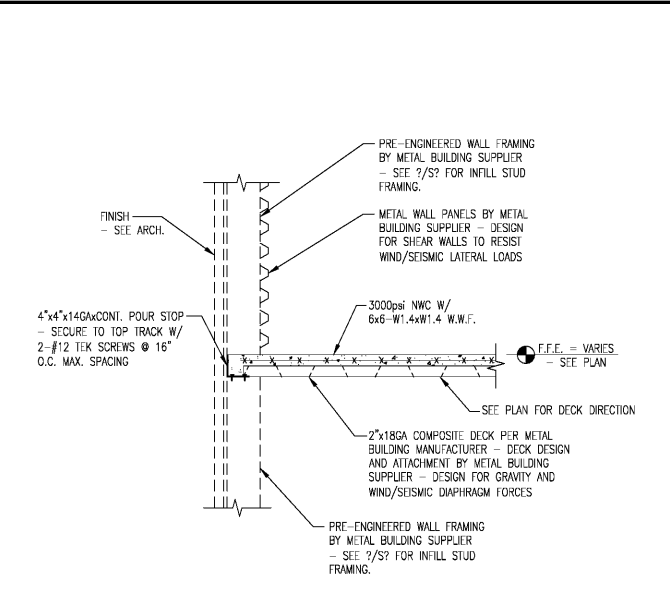
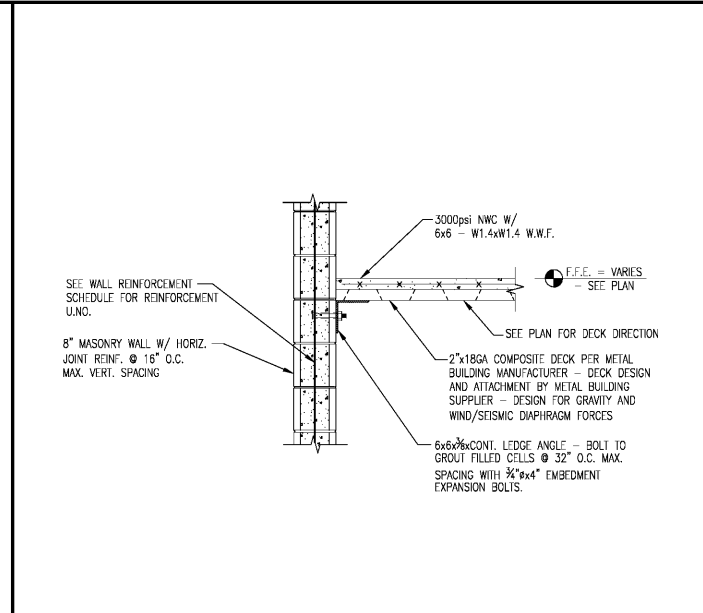
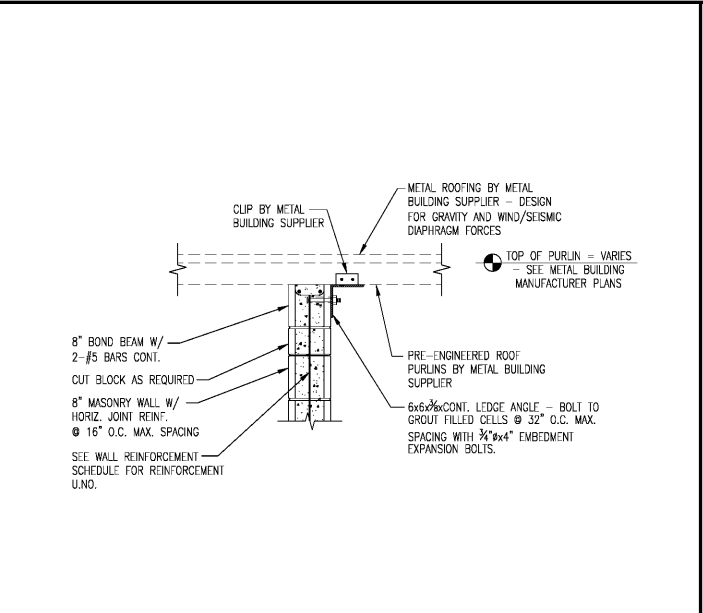
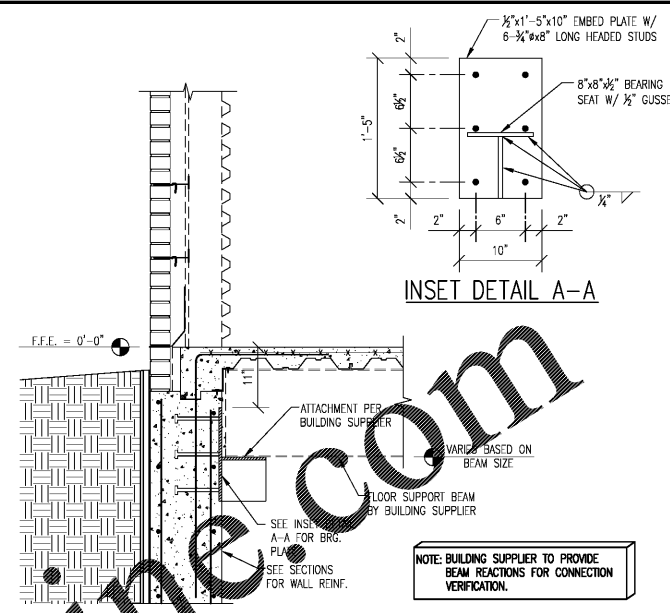
Date: 11-2-2020

Project No.: 720-016 Drawn by: MRM

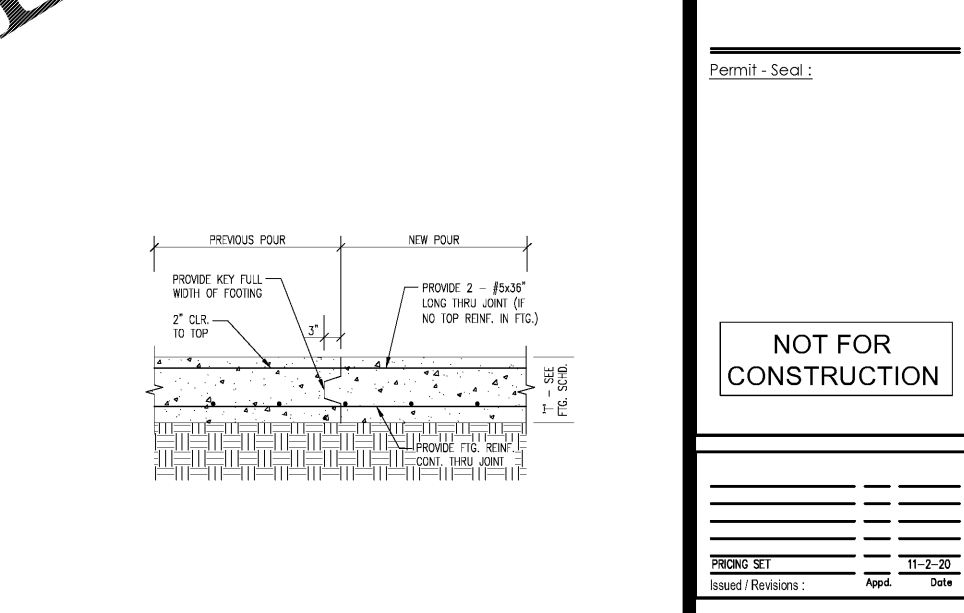
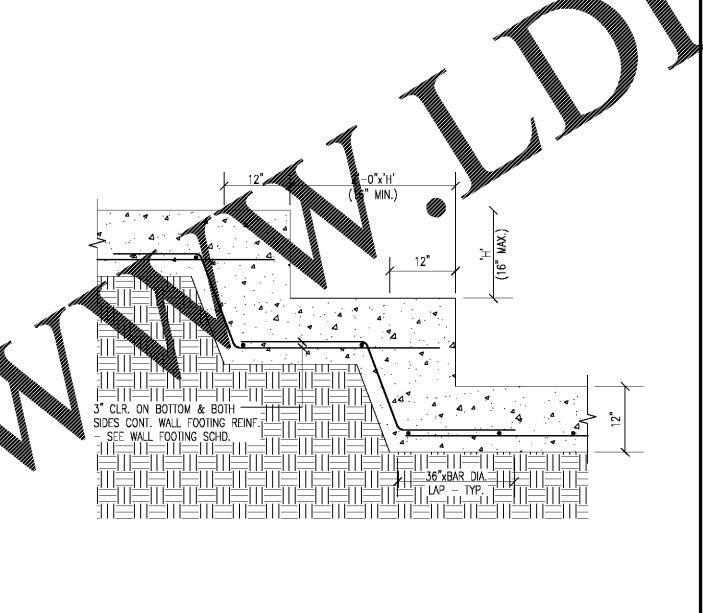
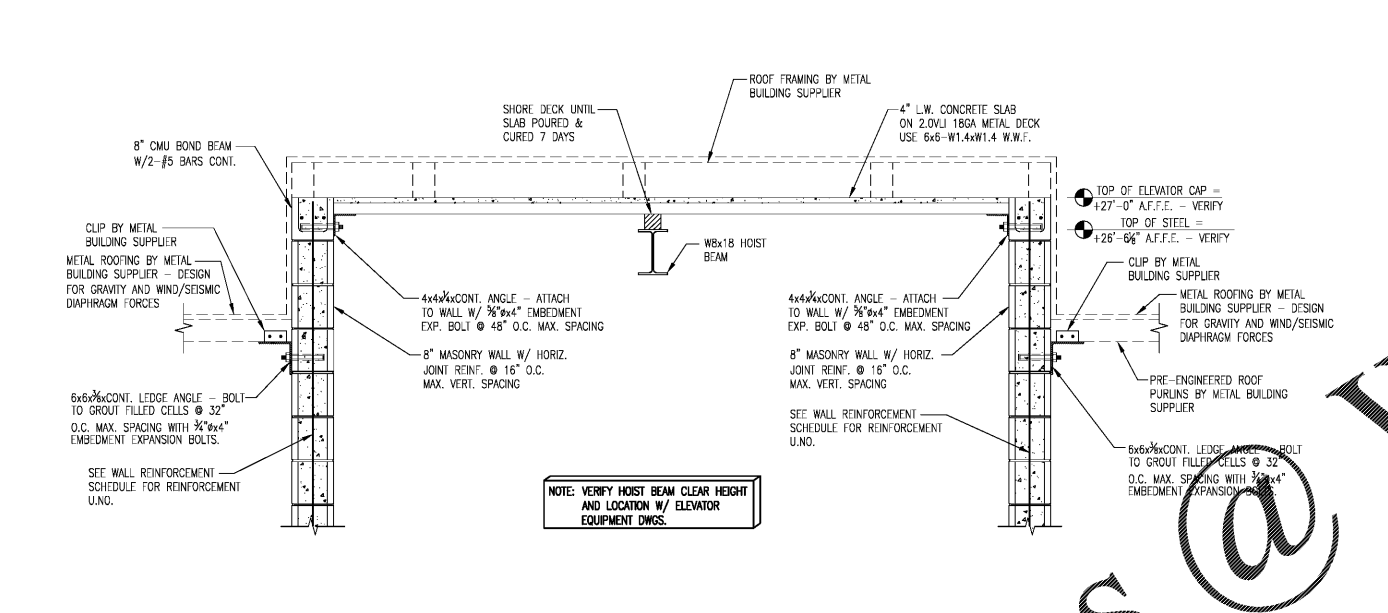
Sheet: S6

MOOREFIELD ENGINEERING, P.C.
MEPC
University Commercial Center
7990 North Point Blvd., Suite 209
Winston-Salem, NC 27106
T: 336-593-9623
F: 336-593-9612
email: office@mepec-consultants.com
www.mepec-consultants.com
MEPC No.: 167-20

PROGRESS DRAWING NOT FOR CONSTRUCTION
FIRM REGISTRATION NO.: C-1323



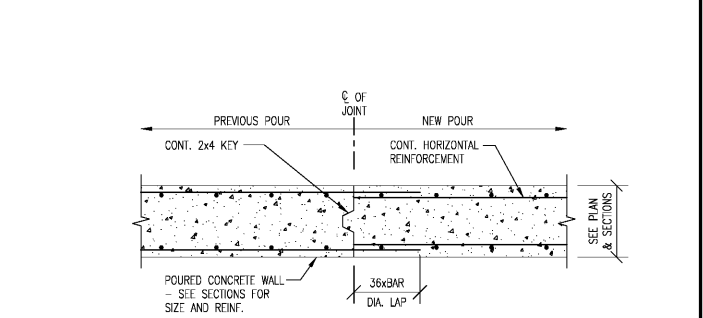
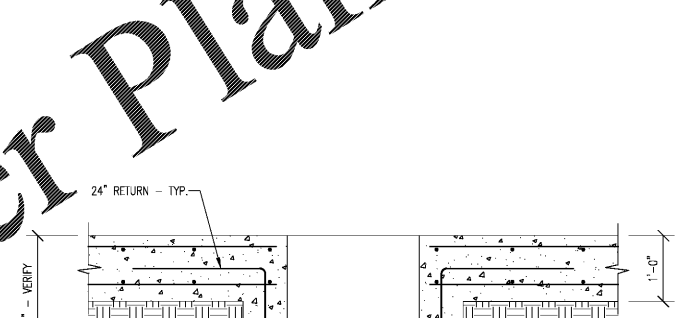
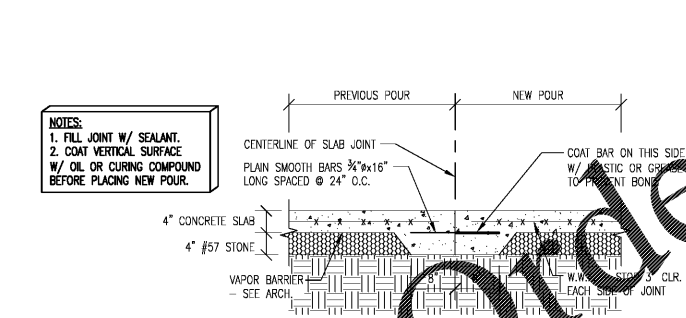
SECTION NO.	SECTION	SCALE	SECTION NO.	SECTION	SCALE	SECTION NO.	SECTION	SCALE	SECTION NO.	SECTION	SCALE
1	S6	3/4\" = 1'-0"	2	S6	3/4\" = 1'-0"	3	S6	3/4\" = 1'-0"	4	S6	3/4\" = 1'-0"



SECTION NO.	SECTION	SCALE	SECTION NO.	SECTION	SCALE
5	S6	3/4\" = 1'-0"	TYPICAL	TYP. STEPPED WALL FTG. DETAIL	NO SCALE

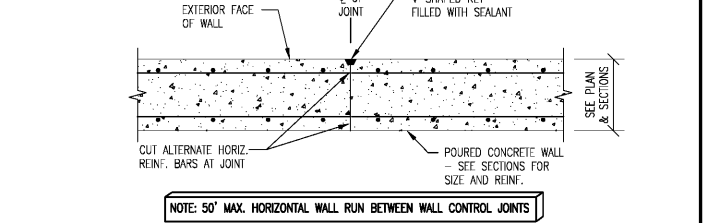
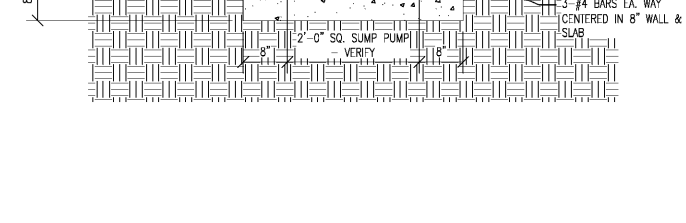
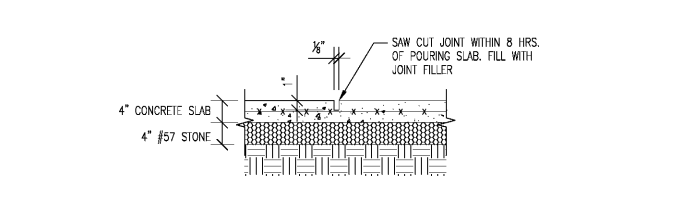
SECTION NO.	SECTION	SCALE
TYPICAL	TYP. STEPPED WALL FTG. DETAIL	NO SCALE

SECTION NO.	SECTION	SCALE
TYPICAL	TYPICAL WALL FOOTING @ CONSTRUCTION JOINT DETAIL	NO SCALE



SECTION NO.	SECTION	SCALE
TYPICAL	DOWELED CONSTRUCTION JOINT DETAIL	NO SCALE

SECTION NO.	SECTION	SCALE
TYPICAL	CONCRETE WALL CONSTRUCTION JOINT DETAIL	NO SCALE



SECTION NO.	SECTION	SCALE
TYPICAL	SAWED CUT JOINT (S.J.)	NO SCALE

SECTION NO.	SECTION	SCALE
TYPICAL	ELEVATOR SUMP PIT DETAIL	NO SCALE

SECTION NO.	SECTION	SCALE
TYPICAL	CONCRETE WALL CONTROL JOINT DETAIL (W.C.J.)	NO SCALE