

Architect :
archSTUDIO7, PLLC
301 N. MAIN STREET, SUITE 1201
Winston-Salem, NC 27101
Tel: 336.793.9600
www.archstudio7.com
Copyright Reserved

The Contractor shall verify and be responsible for all dimensions. DO NOT scale the drawing - any errors or omissions shall be reported to archSTUDIO7, PLLC without delay. The Copyrights to all designs and drawings are the property of archSTUDIO7, PLLC. Reproduction or use for any purpose other than that authorized by archSTUDIO7, PLLC is forbidden.

Consultants :
Structural :
Jerry W. Moorefield PE
University Commercial Center
7990 North Point Boulevard
Winston-Salem, NC 27106
Ph: 336.593.9623

Permit - Seal :

NOT FOR CONSTRUCTION

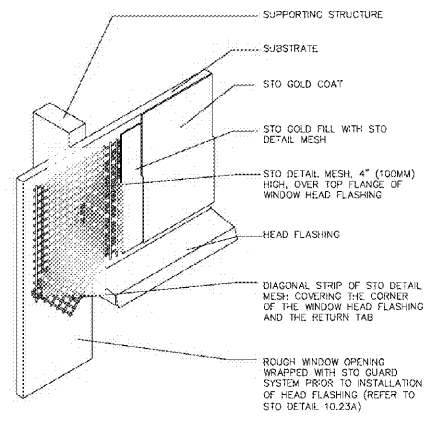
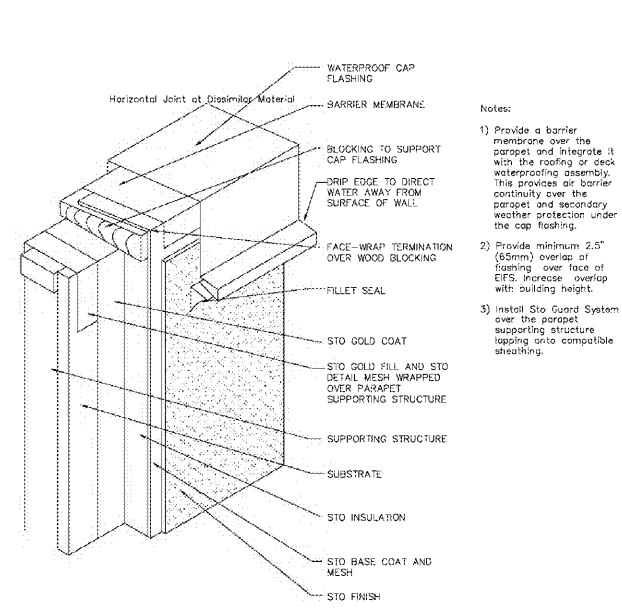
FOR PRICING: 11/2/2020
Issued / Revisions: Appd. Date



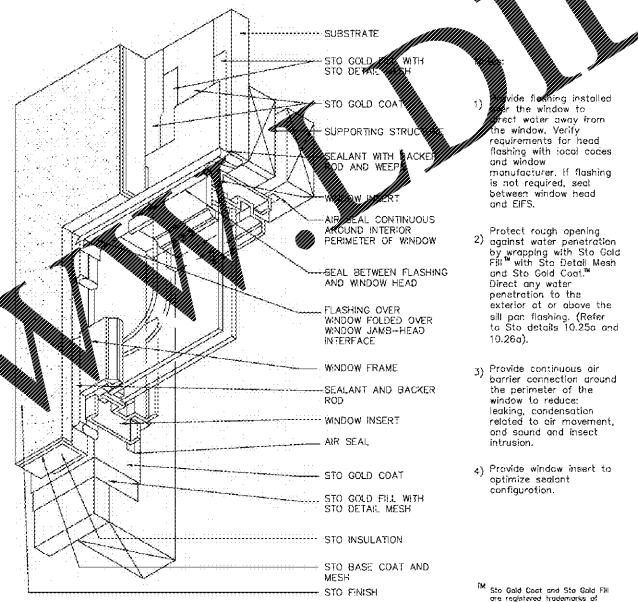
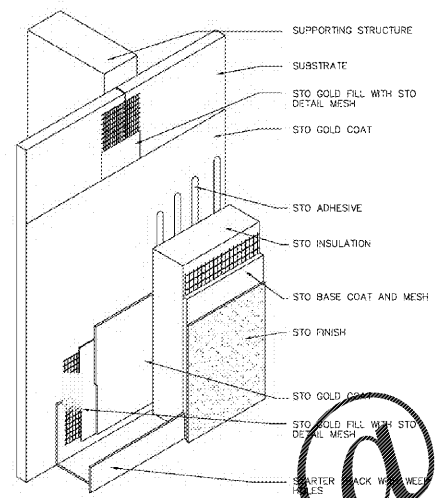
Project :
Storage Facility
Country Club Rd.
Winston-Salem, NC

Title :
WALL SECTION, & TYPICAL EIFS DETAILS

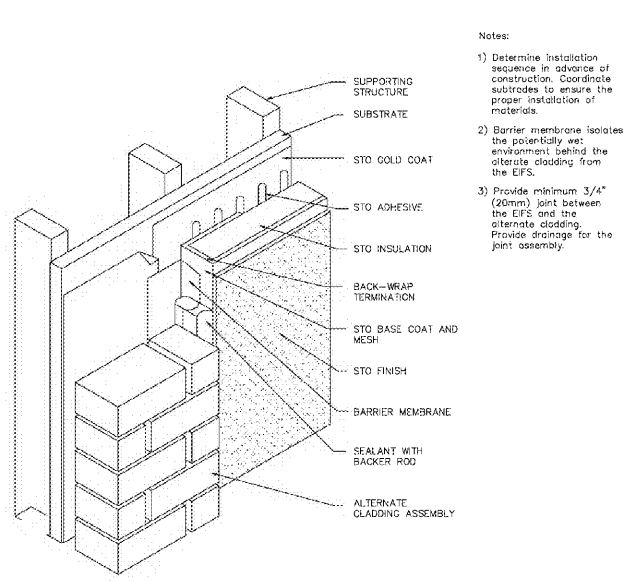
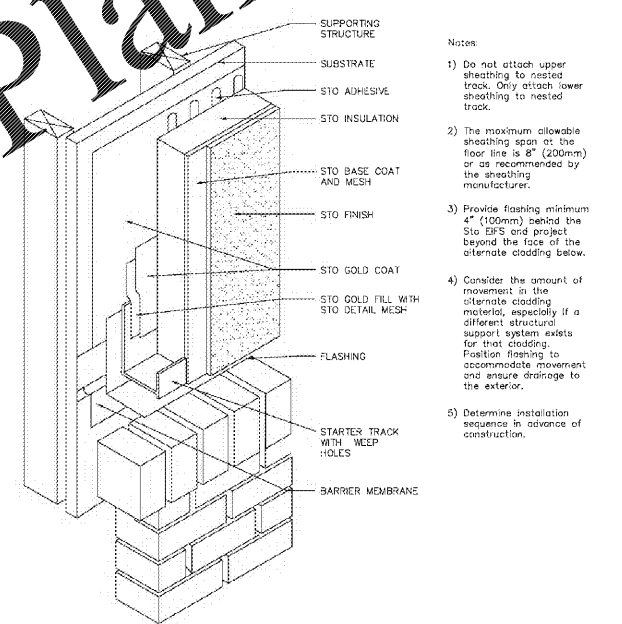
Date :
Project No. : Drawn by :
Sheet :



Window Head

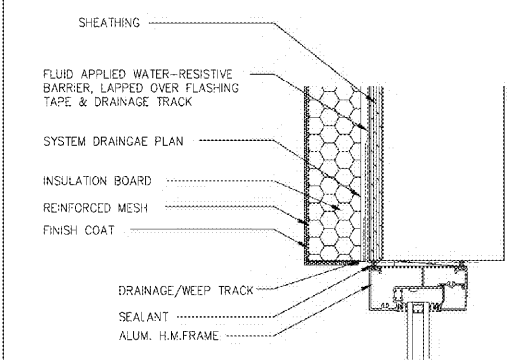
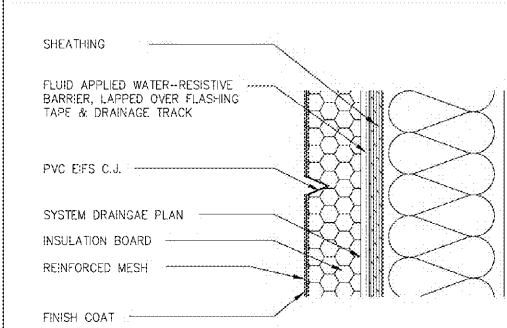


Vertical Joint at Dissimilar Material



1 TYPICAL EIFS DETAILS
N.T.S.

2 TYPICAL EIFS DETAILS
3" = 1'-0"



Order Plans @

WWW.DILine.com