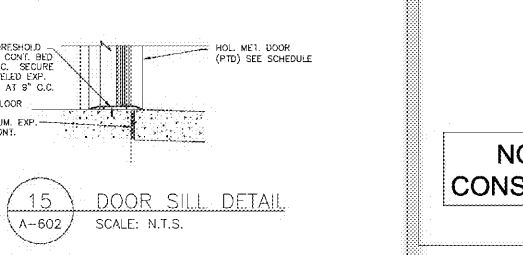
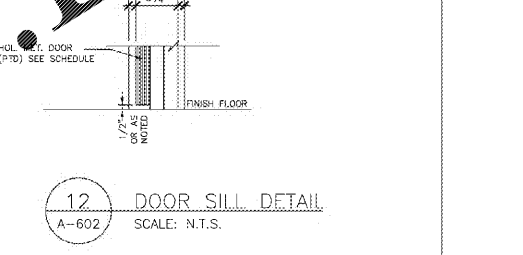
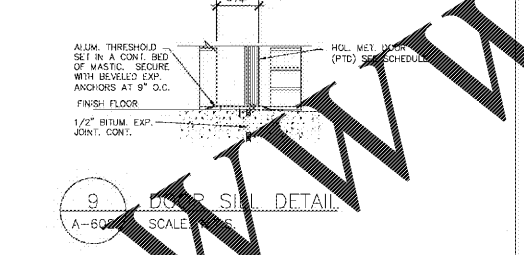
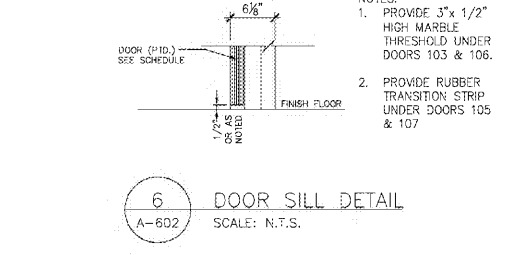
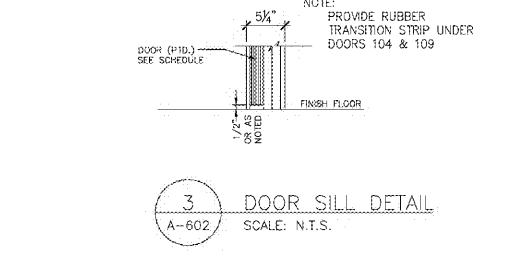
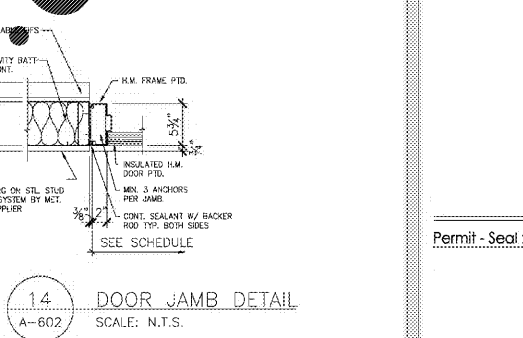
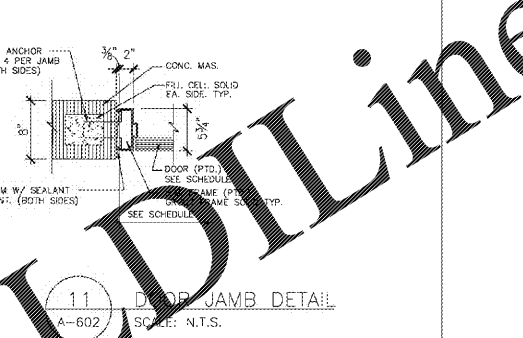
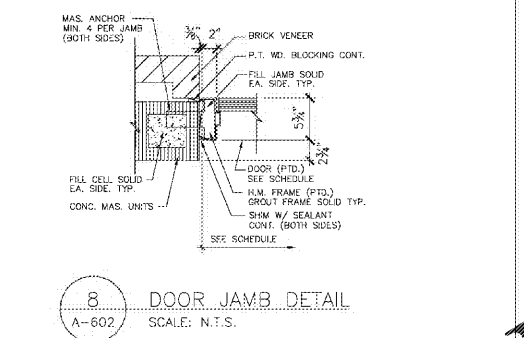
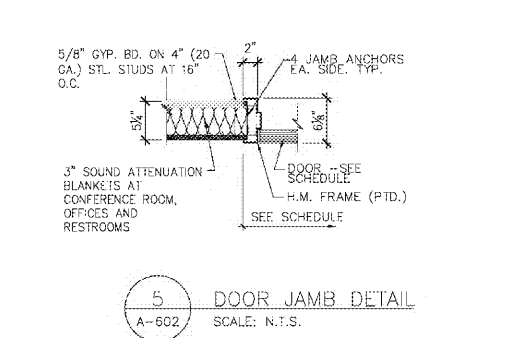
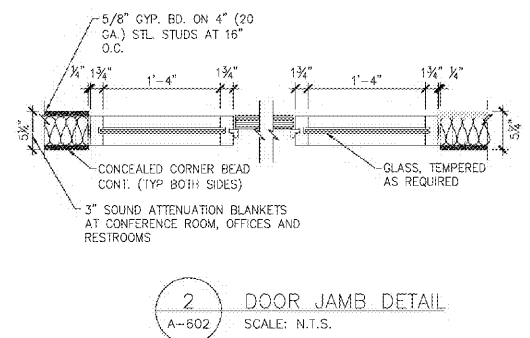
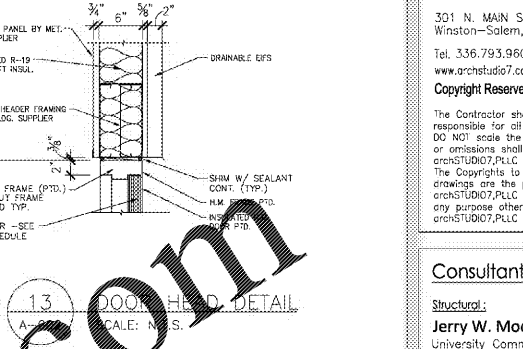
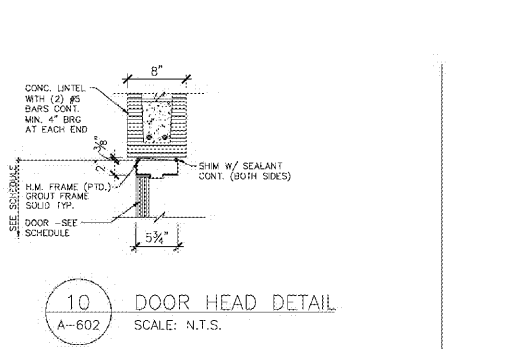
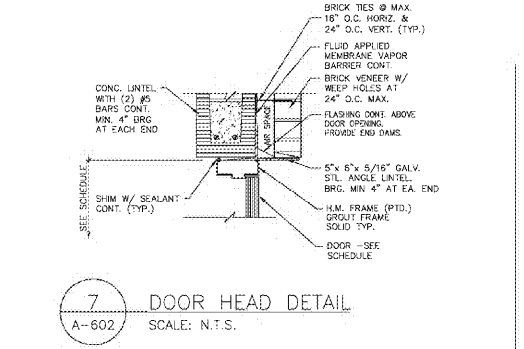
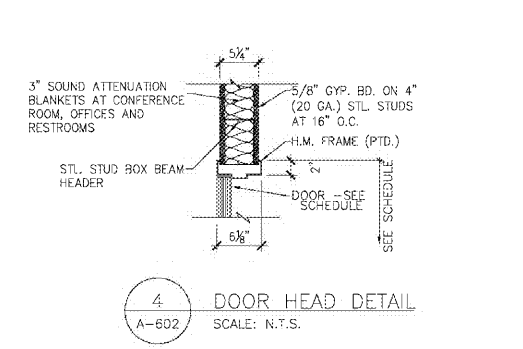
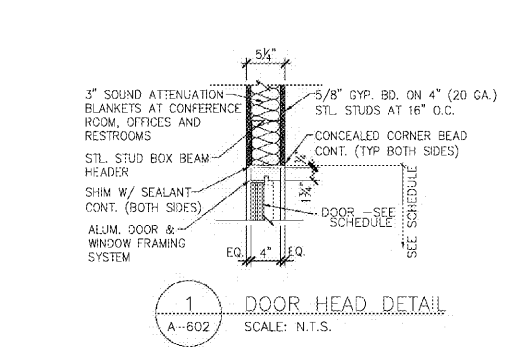


DOOR DETAILS

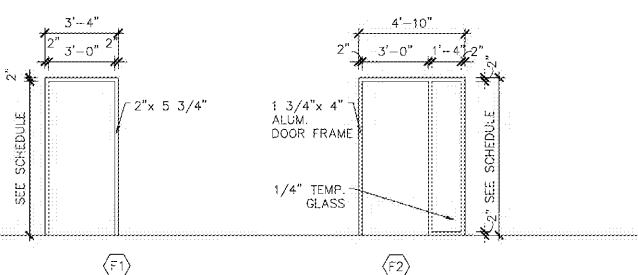
NOTE:
ALL EXTERIOR OPENINGS (HEAD, JAMB AND SILL) SHALL BE SEALED AND PROTECTED WITH FLASHING MATERIAL.

NOTE:
ALL EXTERIOR OPENINGS (HEAD, JAMB AND SILL) SHALL BE SEALED AND PROTECTED WITH FLASHING MATERIAL.



WWW.WJDDIline.com

DOOR FRAME TYPES



COORDINATION

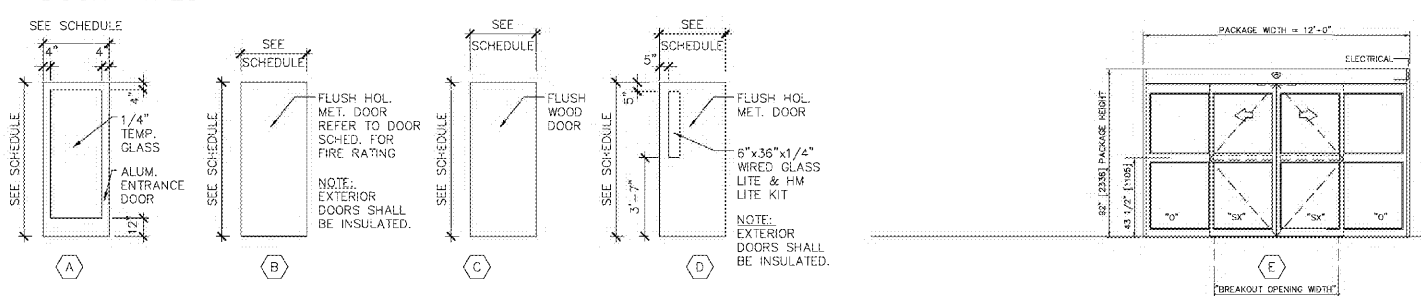
THE GENERAL CONTRACTOR AND THE DOOR HARDWARE SUPPLIER, ALUMINUM-FRAMED ENTRANCES AND STOREFRONT SYSTEM VENDOR, AND THE GLAZING VENDOR SHALL MEET WITH THE BUILDING OWNERS TO REVIEW THE VARIOUS MATERIALS AND PRODUCTS TO BE PROVIDED FOR THE PROJECT. DO NOT PROCEED WITH ANY WORK UNTIL THE OWNERS HAVE APPROVED THE MATERIALS AND PRODUCTS PROPOSED FOR INSTALLATION IN THIS PROJECT.

715.4.3.1 SMOKE AND DRAFT CONTROL. FIRE DOOR ASSEMBLIES SHALL MEET THE REQUIREMENTS FOR A SMOKE AND DRAFT CONTROL DOOR ASSEMBLY TESTED IN ACCORDANCE WITH UL 1784. LOUVERS ARE PROHIBITED. INSTALLATION OF SMOKE DOORS SHALL BE IN ACCORDANCE WITH NFPA 105.

ACCESSIBLE DOOR HARDWARE:

- DOOR HARDWARE: HANDLES, PULLS, LATCHES, LOCKS, AND OTHER OPERABLE PARTS ON ACCESSIBLE DOORS SHALL HAVE A SHAPE THAT IS EASY TO GRASP WITH ONE HAND AND DOES NOT REQUIRE TIGHT GRASPING, PINCHING, OR TWISTING TO OPERATE. OPERABLE PARTS OF SUCH HARDWARE SHALL BE 34 INCHES MINIMUM AND 48 INCHES MAXIMUM ABOVE THE FLOOR. WHERE SLIDING DOORS ARE IN THE FULLY OPEN POSITION, OPERATING HARDWARE SHALL BE EXPOSED AND USABLE FROM BOTH SIDES.
- DOOR OPERATIONS: EXCEPT AS SPECIFICALLY PERMITTED BY THIS SECTION EGRESS DOORS SHALL BE READILY OPERABLE FROM THE EGRESS SIDE WITHOUT THE USE OF A KEY OR SPECIAL KNOWLEDGE OR EFFORT.

DOOR TYPES



Copyright Reserved
The Contractor shall verify and be responsible for all dimensions. DO NOT scale the drawing - any errors or omissions shall be reported to archSTUDIO7, PLLC without delay. The Copyrights to all designs and drawings are the property of archSTUDIO7, PLLC. Reproduction or use for any purpose other than that authorized by archSTUDIO7, PLLC is forbidden.

Consultants:

Structural:
Jerry W. Moorefield PE
University Commercial Center
7990 North Point Boulevard
Winston-Salem, NC 27106
Ph. 336.593.9623

Permit - Seal:

NOT FOR CONSTRUCTION

Issued / Revisions: Appd. Date

Client:



Project:
Storage Facility
Country Club Rd.
Winston-Salem, NC

Title:

DOOR SCHEDULE & DETAILS

Date:

Project No.: Drawn by:
Sheet: