

The Contractor shall verify and be responsible for all dimensions. If not noted for drawing, any areas of existing work on project to be maintained shall be clearly marked. The Contractor shall verify and maintain the integrity of all dimensions. Reproduction of any part of this drawing without the written consent of archSTUDIO7, PLLC is prohibited. © 2017 archSTUDIO7, PLLC. All rights reserved.

Consultants :
Structural :
Jerry W. Moorefield PE
University Commercial Center
2750 NORTH HOLEY ROAD
WINSTON-SALEM, NC 27106
PH: 733.885.8200

Permit - Seal :

NOT FOR CONSTRUCTION

NO.	DATE	DESCRIPTION

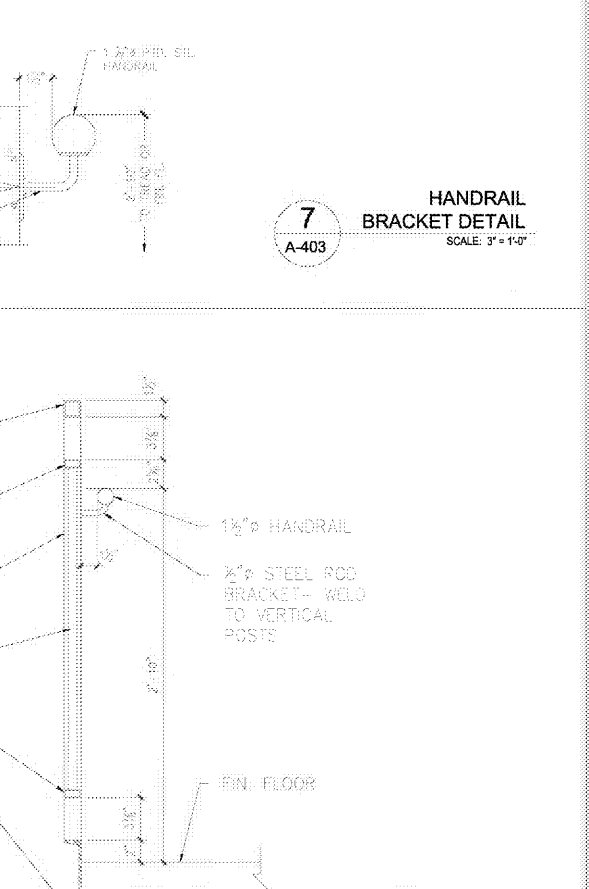
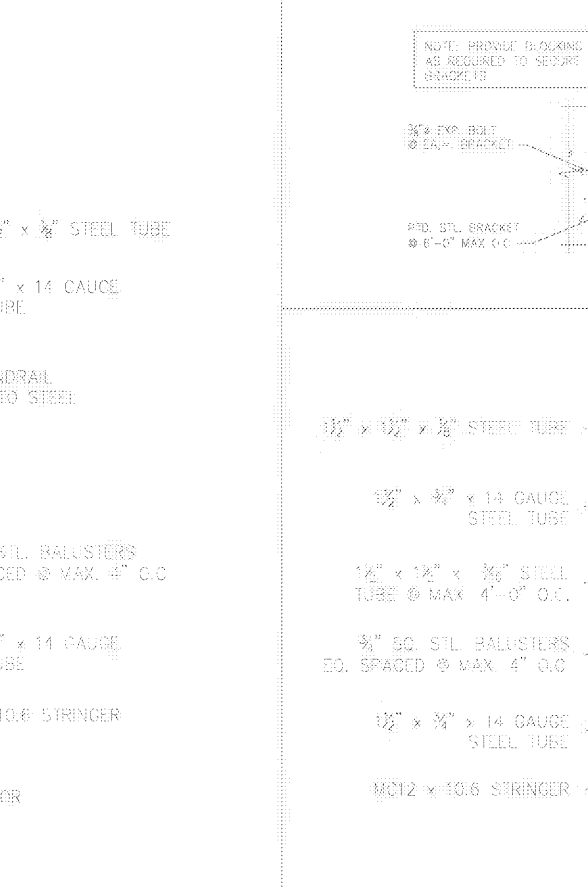
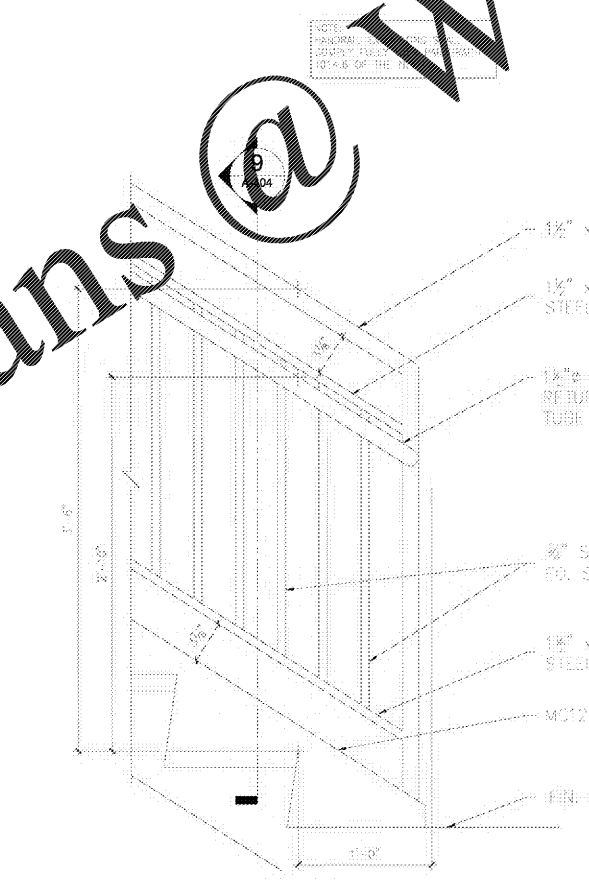
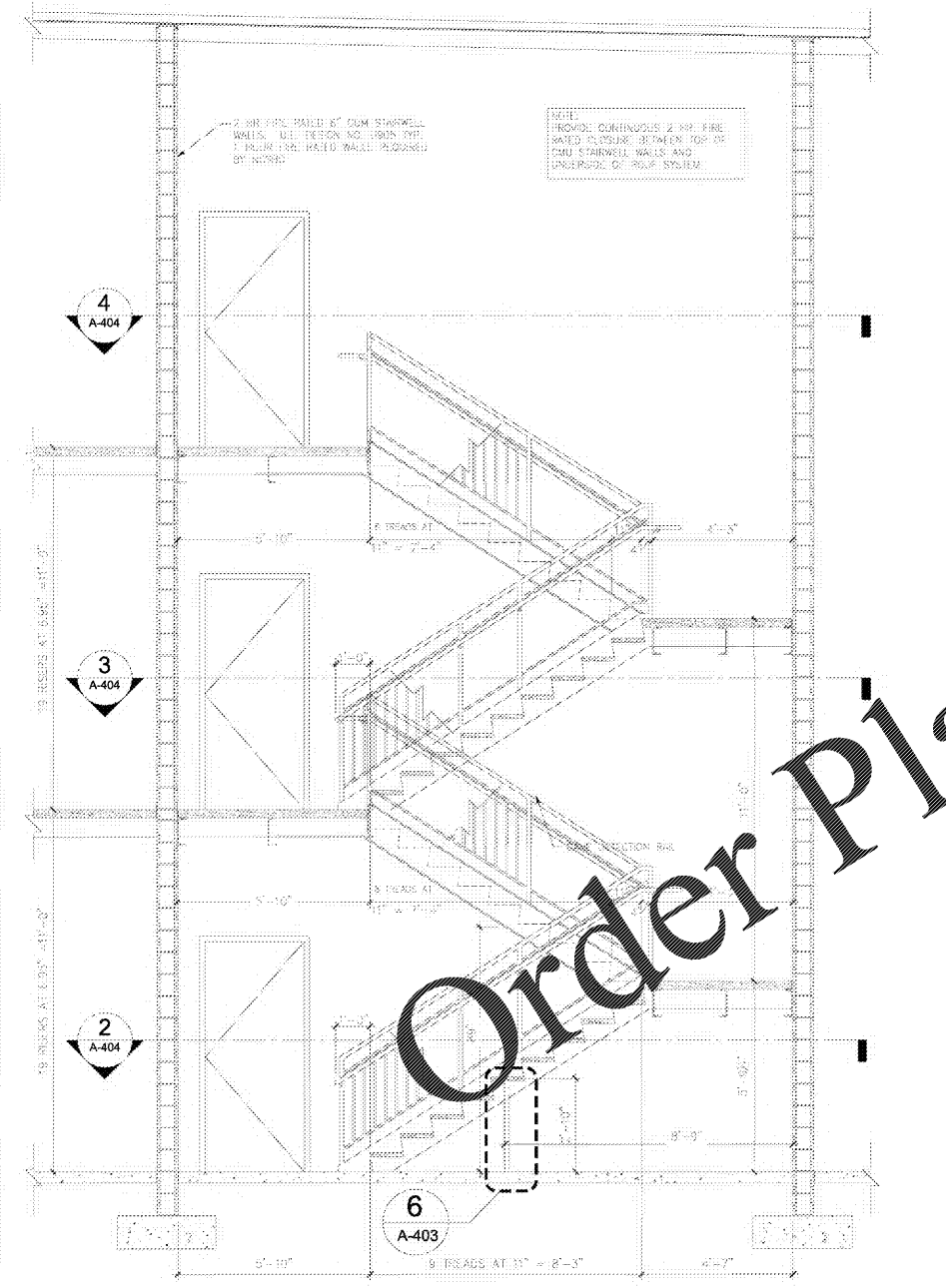
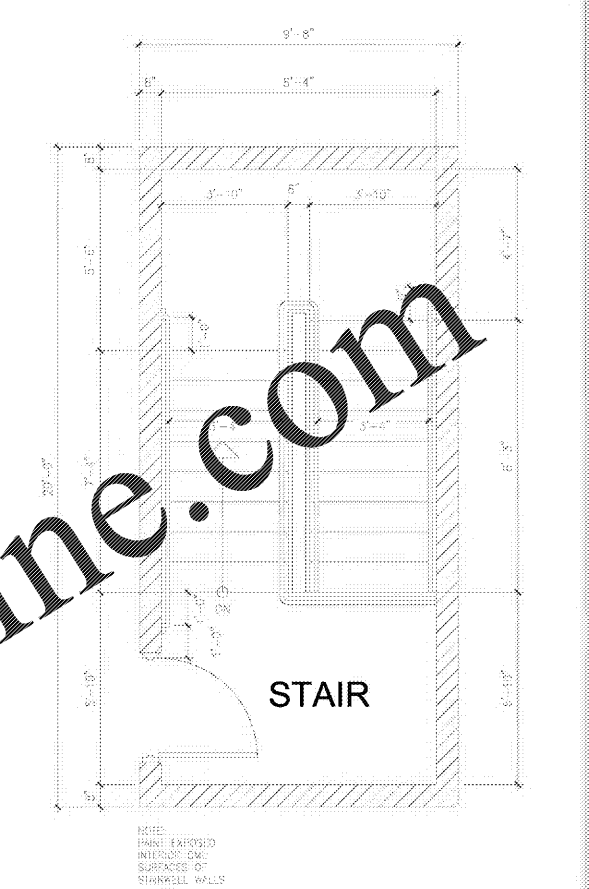
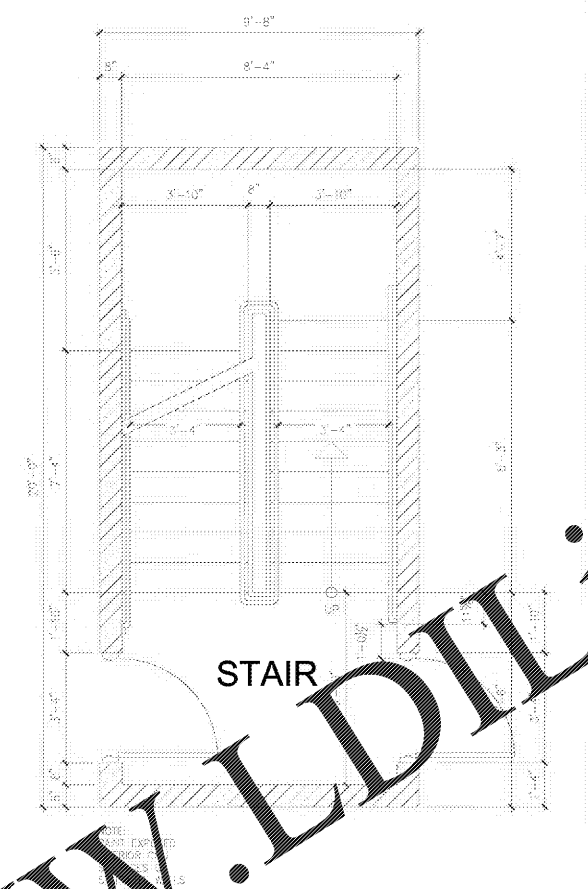
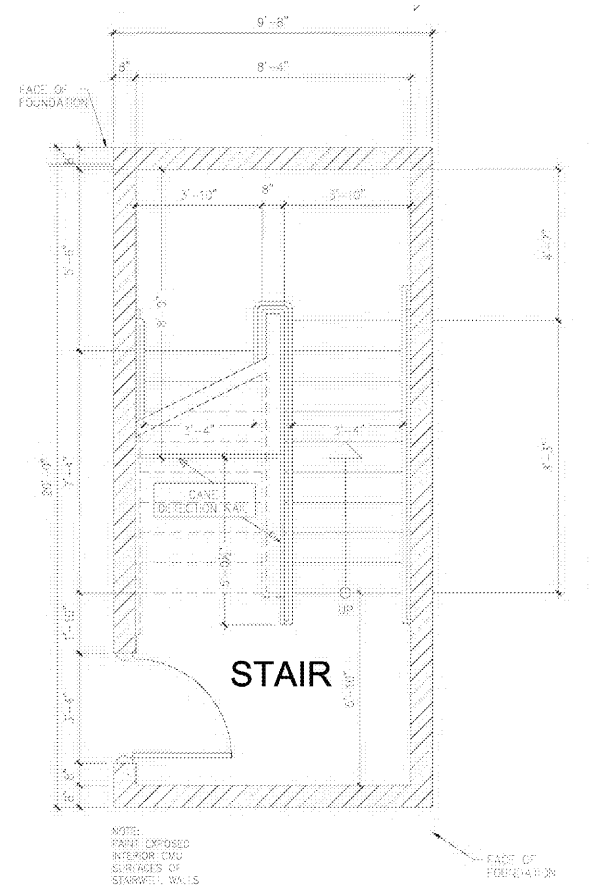
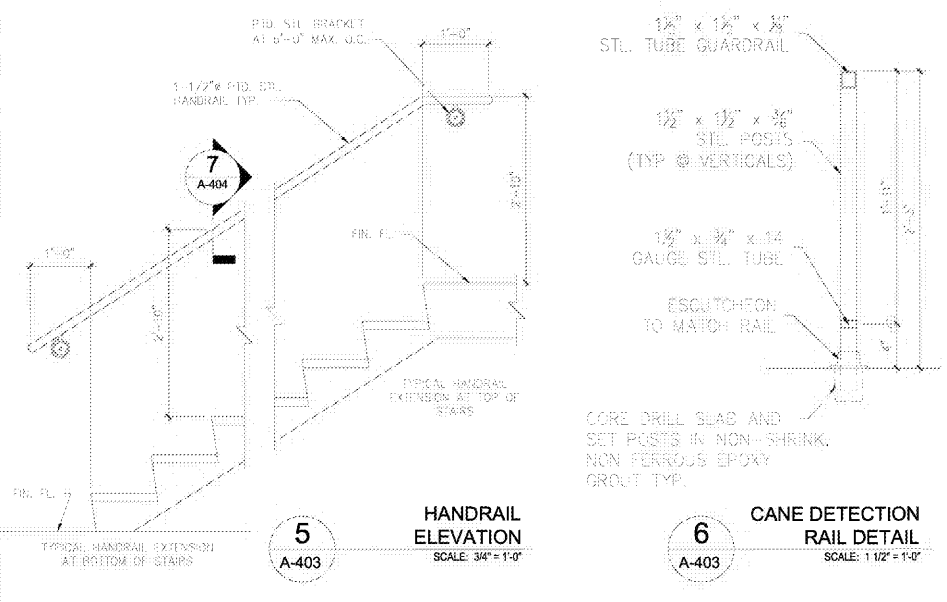


Project:
Storage Facility
Country Club Rd.
Winston-Salem, NC

111 STAIR PLANS, SECTION & DETAILS

Date :
Project No. :
Drawn by :
Sheet :

A-403



Order Plans @ www.LDILine.com