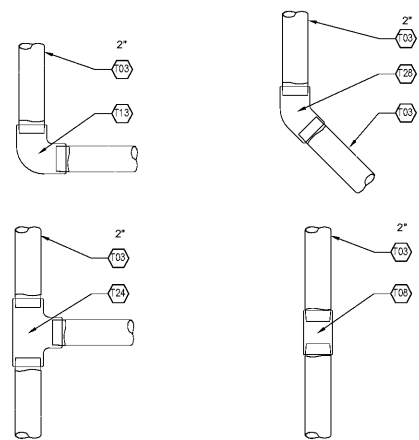
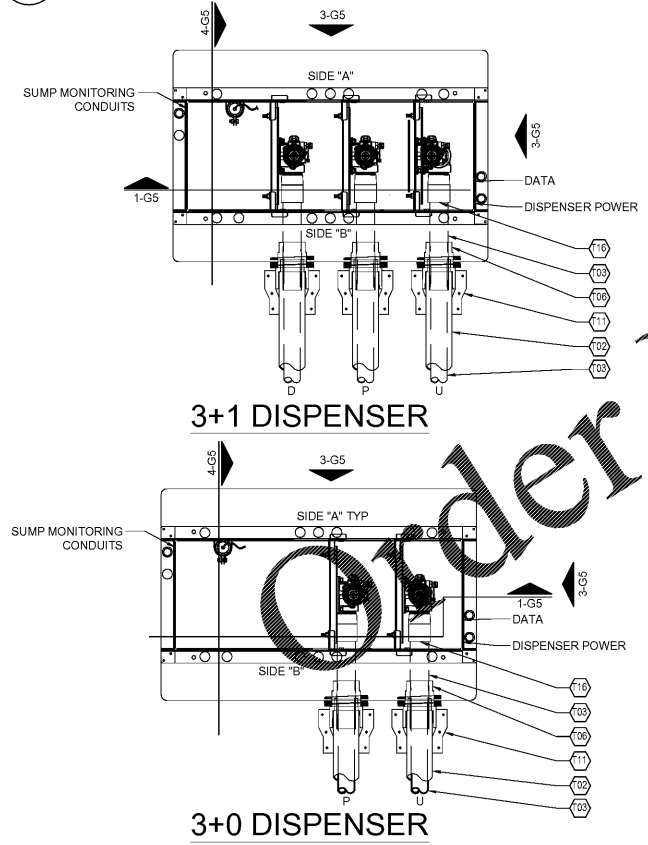


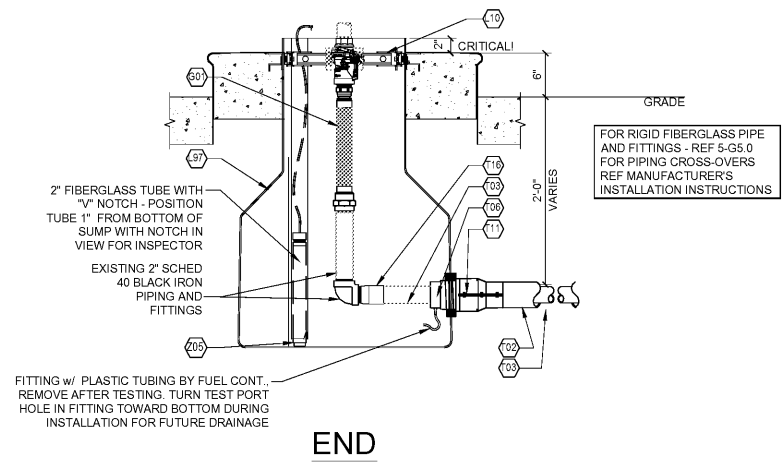
5 DISPENSER SUMP ELEVATIONS  
1" = 1'-0"



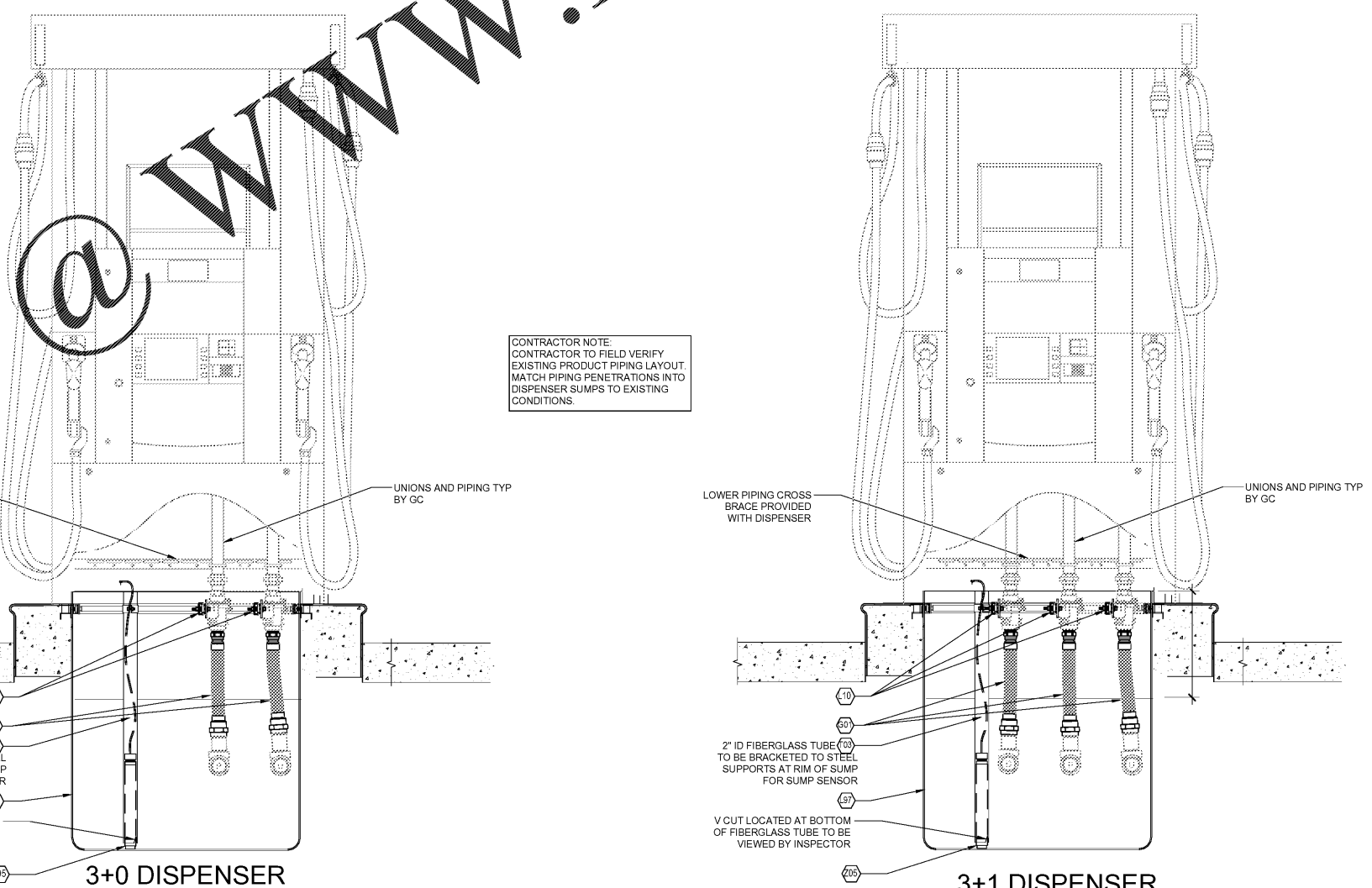
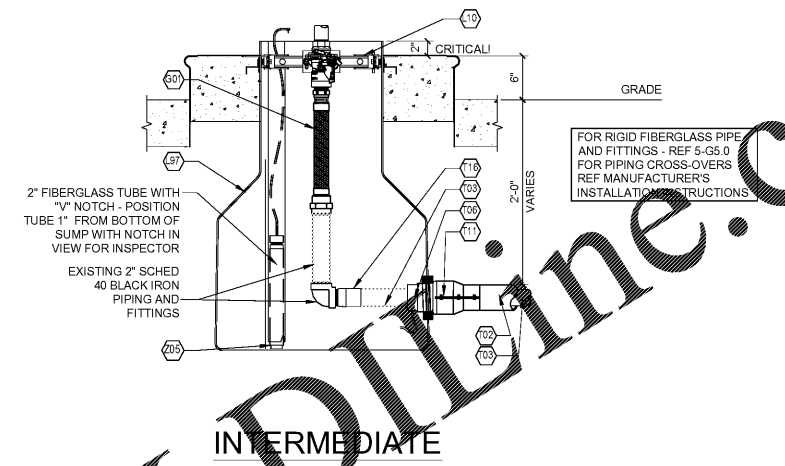
4 PIPING CONNECTIONS  
1" = 1'-0"



2 DISPENSER SUMP - PLAN VIEWS  
1" = 1'-0"



3 DISPENSER SUMP SECTION  
1" = 1'-0"



1 EXISTING WAYNE DISPENSERS  
1" = 1'-0"

GENERAL NOTES

- AFTER ALL UNDERGROUND PIPING AND ELECTRIC CONDUITS ARE INSTALLED AND DURING EXCAVATION, BACKFILLING, AND CONCRETE POURING, A CONTINUOUS HYDROSTATIC TEST SHALL BE PERFORMED ON ALL SUMPS AND SPILL BUCKETS TO ENSURE TIGHTNESS AND PROPER INSTALLATION.
- SUMP TO BE CLEANED OF DEBRIS AND DRIED AFTER TESTING.

KEY NOTES

- SOURCE NORTH AMERICA TO SUPPLY U-BOLTS TO SECURE PIPING TO CROSS BRACKETS SUPPLIED BY GILBARCO.
- CRITICAL - MUST HAVE 2" RAIN LIP ABOVE INTEGRAL RAIN LIP FRAME.
- SHEAR SECTIONS OF SHEAR VALVES SHALL BE MOUNTED FLUSH WITH TOP OF PAVEMENT.
- HOSE RETRACTOR REQUIRES FIELD MODIFICATION. REF MANUFACTURER'S INSTALLATION INSTRUCTIONS FOR SPECIFIC USE.

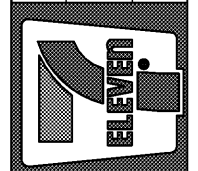
Rev. #	Date	Description
1	10/23/20	FEER REVIEW COMMENTS

Proto 11-05-18

7-ELEVEN, INC.  
3200 HACKBERRY ROAD, IRVING TEXAS 75063

7-ELEVEN #41635  
1401 COVENTRY ROAD  
MYRTLE BEACH, SC 29575

DISPENSER AND SUMP DETAILS



Job#:	SEI-29986
Scale:	AS NOTED
Date:	08/05/20
Drawn By:	LAA
Checked By:	KMS

Documents prepared by Core States Group are to be used for the specific project and site only. Any extension of use to other projects, by owner or contractor, without the expressed, written consent of Core States Group is prohibited. Core States Group is not responsible for any errors or omissions that may appear hereon. Core States Group shall not be held liable for any damages, claims and losses.

