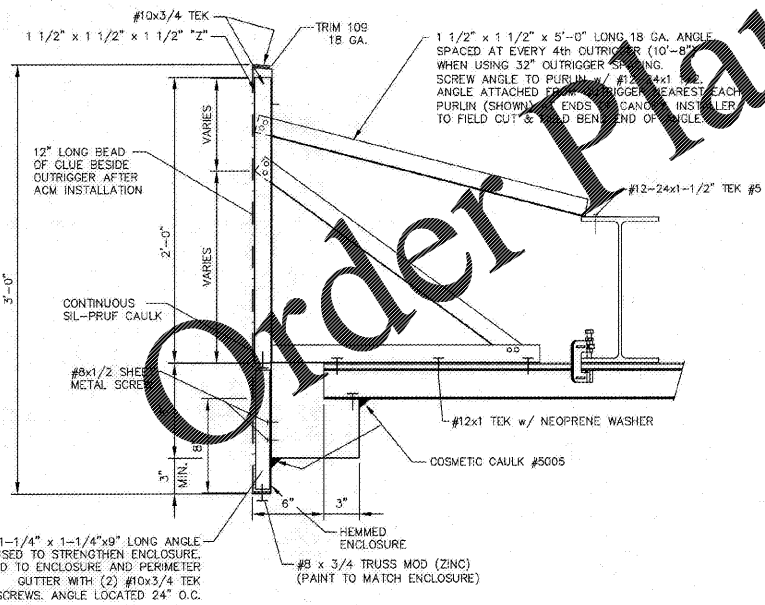
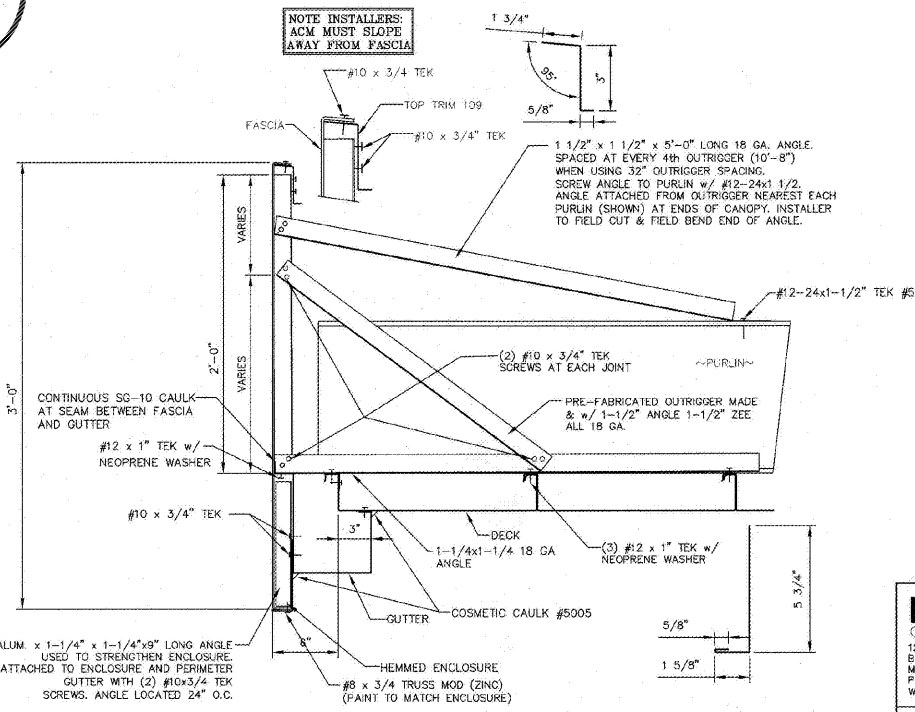


7-ELEVEN SIGNS PERMITTED, FURNISHED, AND INSTALLED BY OTHERS.



DETAIL FD1
3/6/2019



DETAIL FD2
3/17/2019

CANOPY TO RECEIVE DECKING AND FASCIA SYSTEM REPLACEMENT ONLY. NO STRUCTURAL MODIFICATIONS WILL BE MADE. FASCIA HEIGHT AND DESIGN LOADS TO THE EXISTING STEEL STRUCTURE AND FOUNDATIONS WILL REMAIN THE SAME. ANY EXCESSIVE RUST OR CORROSION SHALL BE IMMEDIATELY REPORTED TO ENGINEER PRIOR TO INSTALLATION OF NEW DECK.

ALL STRUCTURAL BOLTS WITH ANY SIGNIFICANT CORROSION SHALL BE REPLACED WITH NEW A325 BOLTS OF SAME DIAMETER. ANY BOLT THAT IS QUESTIONABLE SHALL BE REPLACED.

EXISTING CANOPY STRUCTURE IS TO BE RETROFIT WITH NEW FASCIA SYSTEM. EXISTING CANOPY STRUCTURE IS CONSIDERED TO BE STRUCTURALLY ADEQUATE REDECK AND REFACE AS NO NEW ADDITIONAL LOADS WILL BE APPLIED BY NEW DECK AND FASCIA THAT WERE NOT APPLIED BY EXISTING CANOPY DECK AND FASCIA. IT IS ASSUMED THAT THE ORIGINAL CANOPY STRUCTURE WAS PROPERLY DESIGNED. NEITHER CARTER MOORE, PE NOR MCGEE CORPORATION WILL NOT ACCEPT RESPONSIBILITY FOR ORIGINAL CANOPY STRUCTURAL DESIGN.

CARTER MOORE / PROFESSIONAL ENGINEER
3031 SPRING FANCY LANE/INDIAN TRAIL, NC 28079
(704) 821-4205

MCGEE CORPORATION
12701 East Independence Blvd., P.O. Box 1375
Matthews, NC 28106-1375
Phone: (704) 882-1500
Fax: (800) 529-5588
Website: www.mcgee.com

PROJ. JOB NO. 59556
DRAWING NO. POS9556A
7-ELEVEN #1045634
1401 COVENTRY RD
MYRTLE BEACH, SC 29575 (HORRY)
SCALE: 1/8\"/>

