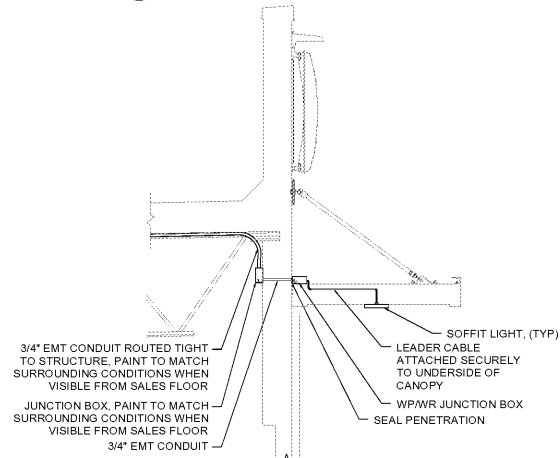


3 RECESSED FIXTURE MOUNTING
N.T.S.



2 SOFFIT LIGHT WIRING DETAIL
N.T.S.

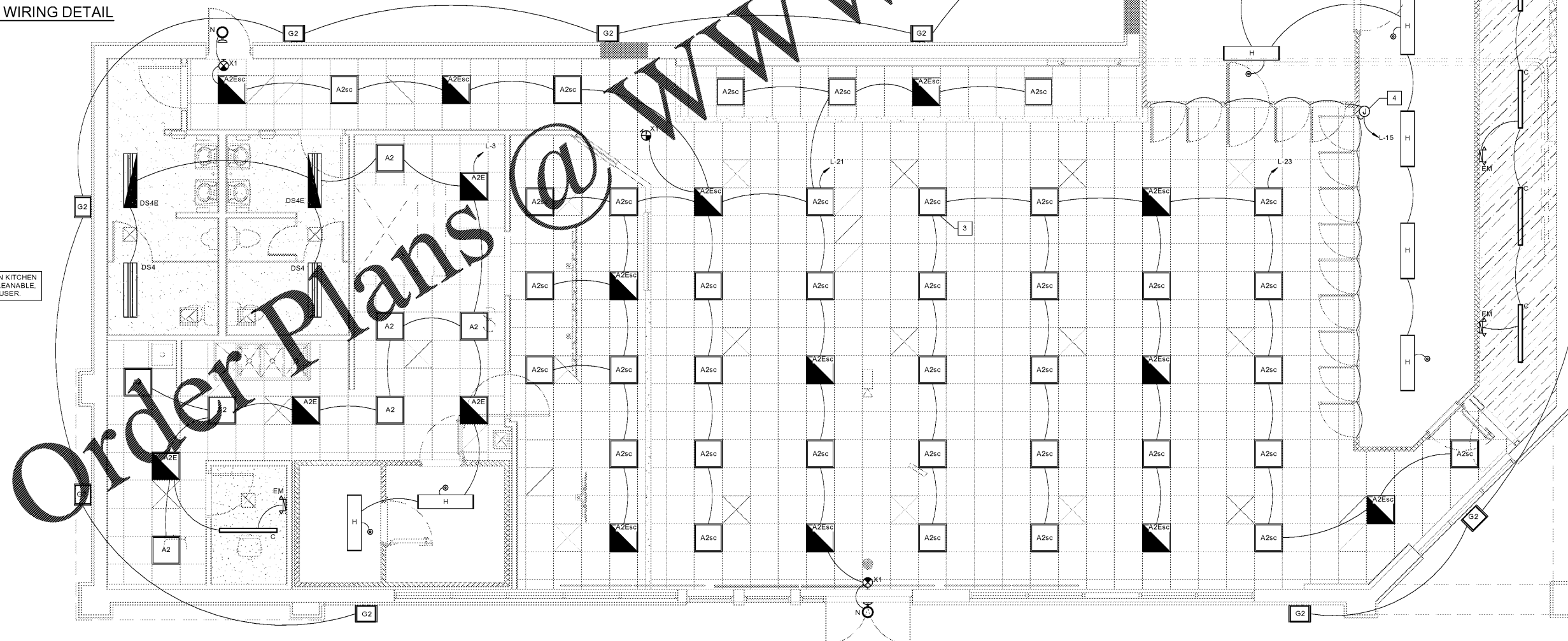
LIGHTING FIXTURE SCHEDULE									
TYPE	MANUFACTURER	MODEL NUMBER	ORCALE NUMBER	VOLTS/PHASE	WATTS	LAMP TYPE	MOUNTING	DESCRIPTION	QTY
A2	GE	LBT22A033MM840VOLTWHITES	TBD	120/277V, 1	32	LED	RECESSED	LED 2' X 2' RECESSED TROFFER, 0-10V, 40K, 120/277V	7
A2E	GE	LBT22A033MM840VOLTWHITES	TBD	120/277V, 1	32	LED	RECESSED	LED 2' X 2' RECESSED TROFFER, 0-10V, 40K, 120/277V WITH EMERGENCY BATTERY	7
A2sc	CREE	ZR22MT-40L-40K-CMA-FL	3291296	120/277V, 1	40	LED	RECESSED	LED 2' X 2' RECESSED TROFFER, 0-10V, 40K, 120/277V WITH CMA CONTROL	36
A2Esc	CREE	ZR22MT-40L-40K-CMA-EB14-FL	3291298	120/277V, 1	40	LED	RECESSED	LED 2' X 2' RECESSED TROFFER, 0-10V, 40K, 120/277V WITH CMA CONTROL & EMERG BATTERY	12
C	SIGNIFY / PHILLIPS	FSSEZ-4-40L-840-UNV	3299637	120/277V, 1	32	LED	SURFACE	LED SURFACE LINEAR 4'; 4000K; 120/277V; 8' A.F.F.	5
DS4	CREE	CR-LE-40L-40K-S	TBD	120/277V, 1	33	LED	SURFACE	1X4 SURFACE MOUNT LIGHT, 4000K; 120/277V	2
DS4E	CREE	CR-LE-40L-40K-S-EB14	3291305	120/277V, 1	33	LED	SURFACE	1X4 SURFACE MOUNT LIGHT, 4000K; 120/277V WITH EMERGENCY BATTERY	2
EM	SIGNIFY / PHILLIPS	VLLU	3299642	120V1	11	LED	UNIVERSAL	EMERGENCY LED 2 LAMP WALL MOUNT	4
G2	CREE	XSPW-B-WM-2ME-4L-57K-UL-BZ	3291313	120/277V, 1	31	LED	WALL	LED WALL PACK, 12' A.F.F.	10
H	SIGNIFY / PHILLIPS	V3WEZ440L840-UNV	3299638	120/277V, 1	32	LED	SURFACE	1X4 LED LINEAR STRIP, SURFACE MOUNT, GASKETED	5
N	SIGNIFY / PHILLIPS	PLEMBZ	3299640	120/277V, 1	24	LED	WALL	LED WALL MOUNT W/ EMERGENCY BATTERY BACK-UP; 8' A.F.F.	2
X1	SIGNIFY / PHILLIPS	VERWEM	3299639	120/277V, 1	1	LED	UNIVERSAL	LED EXIT (RED) LETTERS, EMERGENCY BATTERY BACK-UP	3

KEYNOTES - LIGHTING	
1	NOT USED
2	NOT USED
3	REFER TO RECESSED FIXTURE MOUNTING DETAIL, 3/E2.0, TYP.
4	13W LED COOLER DOOR LIGHTS PROVIDED AND INSTALLED BY COOLER DOOR MANUFACTURER, E.C. TO PROVIDE WIRING FOR COOLER/ FREEZER DOOR LIGHTS AND CONNECT TO MANUFACTURER SUPPLIED JUNCTION BOX.
5	NOT USED
6	NOT USED

INTERIOR CEILING LIGHTING FIXTURE PACKAGE UNLESS OTHERWISE NOTED, 7-ELEVEN SHALL PROVIDE THE INTERIOR AND EXTERIOR LIGHTING FIXTURE PACKAGE, FURNISHED BY CREE LIGHTING, CONSOLIDATED FOR ORDERING BY CHAIN LINK SERVICES (PHONE # 866.243.3171), AND INSTALLED BY G.C.

GENERAL PLAN NOTES

- EMERGENCY EXIT ILLUMINATION SHALL BE SUPPLIED FROM STORAGE BATTERY THAT IS TO PROVIDE 90 MINUTES OF CONTINUED ILLUMINATION IN CASE OF A PRIMARY POWER LOSS.
- THE BRANCH CIRCUIT FEEDING THE UNIT EQUIPMENT (EMERGENCY LIGHT/EXIT SIGN W/SELF-CONTAINED RECHARGEABLE BATTERY) SHALL BE THE SAME BRANCH CIRCUIT AS THAT SERVING THE NORMAL LIGHTING IN THE AREA AND CONNECTED AHEAD OF ANY LOCAL SWITCHES OR TIME CLOCKS AS SHOWN ON PLAN.
- EMERGENCY LUMINAIRE SHALL PROVIDE AN INITIAL AVERAGE ILLUMINATION LEVEL OF AT LEAST 1 FOOT-CANDLE BUT AT ANY POINT IT SHALL NOT BE LESS THAN 0.1 FOOT-CANDLE ALONG THE PATH OF EGRESS AT FLOOR LEVEL.
- AT THE END OF THE REQUIRED EMERGENCY SOURCE THE ILLUMINATION OF THE EMERGENCY LUMINAIRE SHALL PROVIDE AN AVERAGE ILLUMINATION LEVEL OF AT LEAST 0.6 FOOT-CANDLE BUT AT ANY POINT SHALL NOT BE LESS THAN 0.06 FOOT-CANDLE ALONG THE PATH OF EGRESS AT FLOOR LEVEL.
- THE EMERGENCY ILLUMINATION LEVEL SHALL HAVE A MINIMUM-TO-MAXIMUM EMERGENCY ILLUMINATION UNIFORMITY RATIO THAT DOES NOT EXCEED 40:1.
- CONDUIT AND WIRING IN AREAS WHERE EXPOSED SHALL BE ROUTED AT 90 DEGREE ANGLES PERPENDICULAR OR PARALLEL TO JOISTS. COORDINATE PAINTING OF CONDUIT WITH ARCHITECTURAL FINISHES.
- FOR LIGHTING CONTROLS IN THE SALES AND BACK OF HOUSE AREA, SEE SHEET E2.1.



1 LIGHTING PLAN
1/4" = 1'-0"

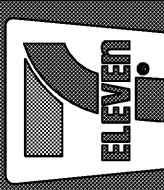
JOHN D. LONGINOTTI, PE
2807 S. CREEKSIDE DR., SUITE 703
ROGERS, AR 72756
479-877-5186
SC LICENSE # 29788



STIPULATION FOR REUSE
THIS DRAWING WAS PREPARED FOR THE PROJECT AND SITE SPECIFIC. IT IS NOT TO BE REUSED FOR ANY OTHER PROJECT WITHOUT THE WRITTEN CONSENT OF THE DESIGNER. THE DESIGNER ASSUMES NO LIABILITY FOR ANY REUSE OF THIS DRAWING FOR ANY OTHER PROJECT. THE DESIGNER'S LIABILITY IS LIMITED TO THE SERVICES PROVIDED BY THIS DRAWING. THE DESIGNER SHALL NOT BE RESPONSIBLE FOR ANY REUSE OF THIS DRAWING FOR ANY OTHER PROJECT. THE DESIGNER'S LIABILITY IS LIMITED TO THE SERVICES PROVIDED BY THIS DRAWING. THE DESIGNER SHALL NOT BE RESPONSIBLE FOR ANY REUSE OF THIS DRAWING FOR ANY OTHER PROJECT.

Submissions:
2020-10-01 PRCL1

7-ELEVEN, INC.
3200 HACKBERRY ROAD, IRVING, TEXAS 75063
7-ELEVEN #1045634
1401 COVENTRY ROAD
MYRTLE BEACH, SC 29575



JOB NUMBER: 20022
CHECKED BY:
DRAWN BY:
DATE: 08/31/20

TITLE:
LIGHTING
POWER PLAN

SHEET:
E2.0