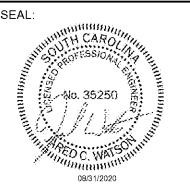


JARED C. WATSON, PE
 2807 S. CREEKSIDE DR., SUITE 701
 ROGERS, AR 72758
 479-877-3188
 SC LICENSE # 35250

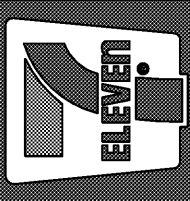


STIPULATION FOR REUSE
 THIS DRAWING WAS PREPARED FOR MY CLIENT, BEACH, SC. IT IS NOT TO BE REPRODUCED, COPIED, REUSED, OR TRANSMITTED IN ANY MANNER WITHOUT THE WRITTEN PERMISSION OF THE ENGINEER. ANY REUSE OF THIS DRAWING FOR ANY OTHER PROJECT WITHOUT THE WRITTEN PERMISSION OF THE ENGINEER IS PROHIBITED AND MAY BE SUBJECT TO LEGAL ACTION UNDER THE LAW.

Submissions:

7-ELEVEN, INC.
 3200 HACKBERRY ROAD, IRVING, TEXAS 75063

7-ELEVEN #1045634
 1401 COVENTRY ROAD
 MYRTLE BEACH, SC 29575

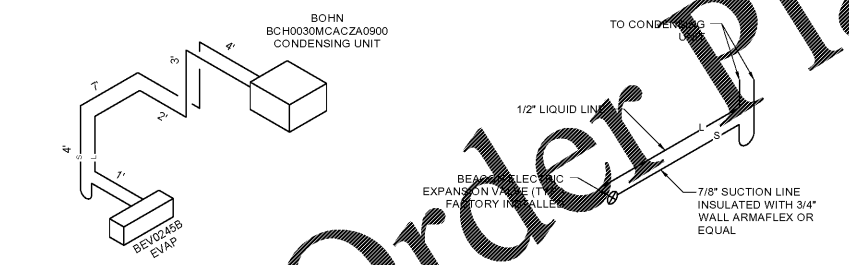


JOB NUMBER: 20022
 CHECKED BY:
 DRAWN BY:
 DATE: 08/31/20

TITLE:
**REFRIGERATION
 PIPING RISER
 DETAILS**

SHEET:
M1.3

Order Plans @ www.LDILine.com



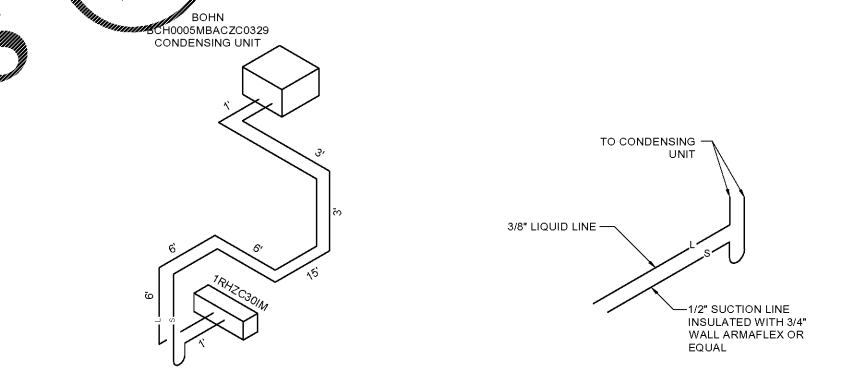
OVERALL BEER CAVE LIQUID AND SUCTION REFRIGERANT LINE LENGTHS

DESIGN NOTES:

- LINE SIZING TABLE 9 FROM THE MANUAL SHOWS 3,000 BTUH REQUIRES A 7/8" SUCTION FOR UP TO 50' OF EQUIVALENT LINE LENGTH.
- HORIZONTAL SUCTION LINES SHALL SLOPE AWAY FROM THE EVAPORATOR TOWARD THE COMPRESSOR AT THE RATE OF 1/4" PER 10' FOR SUFFICIENT OIL RETURN.

PIPING DIAGRAM FOR THE R-448-A LOW TEMPERATURE (+20°F SST) COOLER REFRIGERATION SYSTEM
 REFER TO REFRIGERATION INSTALLATION MANUAL FOR LONGER LINE RUNS.
[HTTP://WWW.HEATCRAFT.COM/PDF/ISO/H-IM-CU.PDF](http://www.heatcraft.com/PDF/ISO/H-IM-CU.PDF)

3 BEER CAVE
 N.T.S.



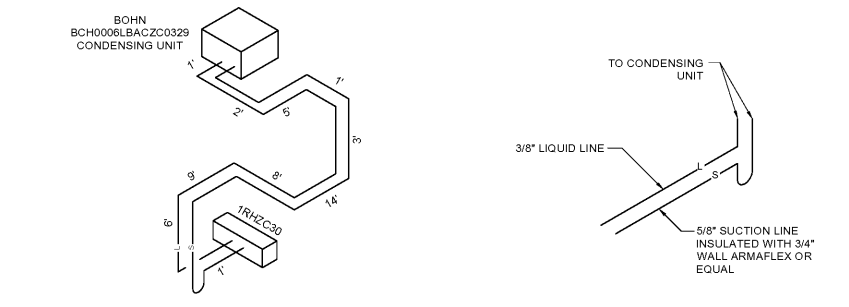
OVERALL ICE MERCHANDISER LIQUID AND SUCTION REFRIGERANT LINE LENGTHS

DESIGN NOTES:

- LINE SIZING TABLE 24 FROM THE MANUAL SHOWS 1,000 BTUH REQUIRES A 1/2" SUCTION FOR UP TO 100' OF EQUIVALENT LINE LENGTH.
- HORIZONTAL SUCTION LINES SHALL SLOPE AWAY FROM THE EVAPORATOR TOWARD THE COMPRESSOR AT THE RATE OF 1/4" PER 10' FOR SUFFICIENT OIL RETURN.

PIPING DIAGRAM FOR THE R-448-A LOW TEMPERATURE (+10°F SST) FREEZER REFRIGERATION SYSTEM
 REFER TO REFRIGERATION INSTALLATION MANUAL FOR LONGER LINE RUNS.
[HTTP://WWW.HEATCRAFT.COM/PDF/ISO/H-IM-CU.PDF](http://www.heatcraft.com/PDF/ISO/H-IM-CU.PDF)

2 ICE MERCHANDISER
 N.T.S.



ENLARGED INTERIOR FREEZER LIQUID AND SUCTION REFRIGERANT LINE SIZES AND CONNECTIONS

DESIGN NOTES:

- LINE SIZING TABLE 24 FROM THE MANUAL SHOWS 3,000 BTUH REQUIRES A 5/8" SUCTION FOR UP TO 100' OF EQUIVALENT LINE LENGTH.
- HORIZONTAL SUCTION LINES SHALL SLOPE AWAY FROM THE EVAPORATOR TOWARD THE COMPRESSOR AT THE RATE OF 1/4" PER 10' FOR SUFFICIENT OIL RETURN.

PIPING DIAGRAM FOR THE R-448-A LOW TEMPERATURE (-20°F SST) FREEZER REFRIGERATION SYSTEM
 REFER TO REFRIGERATION INSTALLATION MANUAL FOR LONGER LINE RUNS.
[HTTP://WWW.HEATCRAFT.COM/PDF/ISO/H-IM-CU.PDF](http://www.heatcraft.com/PDF/ISO/H-IM-CU.PDF)

1 FREEZER
 N.T.S.