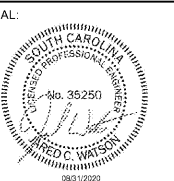


JARED C. WATSON, PE
 2807 S. CREEKSIDE DR., SUITE 701
 ROGERS, AR 72758
 479-877-3188
 SC LICENSE # 35250

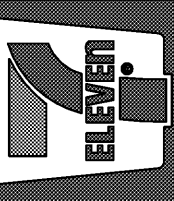


STIPULATION FOR REUSE:
 THIS DRAWING WAS PREPARED FOR MY CLIENT, [CLIENT NAME], BY ME OR UNDER MY CLOSE PERSONAL SUPERVISION AND TO THE BEST OF MY KNOWLEDGE AND BELIEF IT COMplies WITH ALL CITY, STATE AND FEDERAL REQUIREMENTS AND STANDARDS. I AM NOT PROVIDING CONTRACT ADMINISTRATION SERVICES. ANY REUSE OF THIS DRAWING FOR ANY OTHER PROJECT WITHOUT MY WRITTEN CONSENT IS PROHIBITED. I WILL NOT BE RESPONSIBLE FOR ANY ERRORS OR OMISSIONS IN THIS DRAWING OR FOR ANY DAMAGE TO PROPERTY OR PERSONS ARISING FROM THE USE OF THIS DRAWING FOR ANY OTHER PROJECT. ANY REUSE OF THIS DRAWING FOR ANY OTHER PROJECT WITHOUT MY WRITTEN CONSENT IS PROHIBITED. I WILL NOT BE RESPONSIBLE FOR ANY ERRORS OR OMISSIONS IN THIS DRAWING OR FOR ANY DAMAGE TO PROPERTY OR PERSONS ARISING FROM THE USE OF THIS DRAWING FOR ANY OTHER PROJECT.

Submissions:

7-ELEVEN, INC.
 3200 HACKBERRY ROAD, IRVING, TEXAS 75063

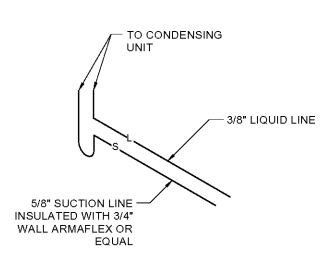
7-ELEVEN #1045634
 1401 COVENTRY ROAD
 MYRTLE BEACH, SC 29575



JOB NUMBER: 20022
 CHECKED BY:
 DRAWN BY:
 DATE: 08/31/20

TITLE:
**REFRIGERATION
 PIPING RISER
 DETAILS**

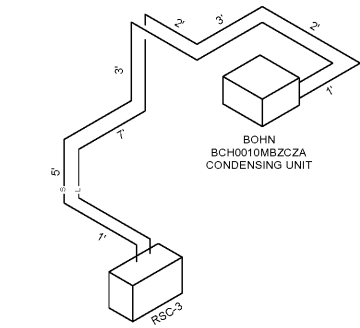
SHEET:
M1.2



SANDWICH CASE LIQUID AND SUCTION REFRIGERANT LINE LENGTHS

DESIGN NOTES:

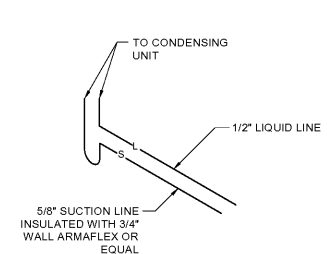
- REFRIGERATION LINESETS ARE PROVIDED BY THE VENDOR, IN 50' SECTIONS, WITH 5/8\"/>



SANDWICH CASE LIQUID AND SUCTION REFRIGERANT LINE LENGTHS

DESIGN NOTES:

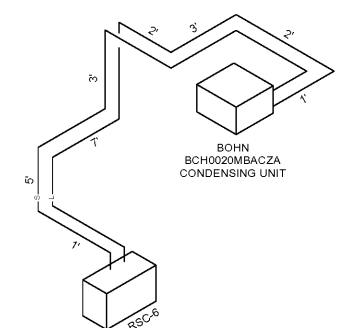
- REFRIGERATION LINESETS ARE PROVIDED BY THE VENDOR, IN 50' SECTIONS, WITH 5/8\"/>



ENLARGED INTERIOR SANDWICH CASE LIQUID AND SUCTION REFRIGERANT LINE SIZES AND CONNECTIONS

INSTALLATION NOTES:

- MAXIMUM LINE LENGTH SHALL NOT EXCEED 50'
- LINE SETS SHALL BE MEASURED AND CUT TO FIT TOTAL DEVELOPED LENGTH AS TO NOT HAVE ANY REMAINING COIL OF TUBING ON-SITE
- CASE DESIGN INCORPORATES INTERNAL OIL RETURN TRAP



SANDWICH CASE LIQUID AND SUCTION REFRIGERANT LINE LENGTHS

DESIGN NOTES:

- REFRIGERATION LINESETS ARE PROVIDED BY THE VENDOR, IN 50' SECTIONS, WITH 5/8\"/>



ENLARGED INTERIOR SANDWICH CASE LIQUID AND SUCTION REFRIGERANT LINE SIZES AND CONNECTIONS

INSTALLATION NOTES:

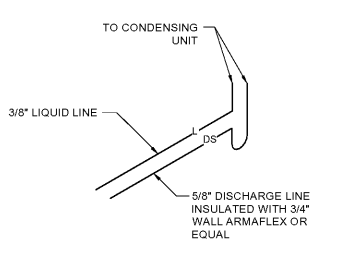
- MAXIMUM LINE LENGTH SHALL NOT EXCEED 50'
- LINE SETS SHALL BE MEASURED AND CUT TO FIT TOTAL DEVELOPED LENGTH AS TO NOT HAVE ANY REMAINING COIL OF TUBING ON-SITE



OVERALL SLURPEE MACHINE (EACH) LIQUID AND DISCHARGE REFRIGERANT LINE LENGTHS

DESIGN NOTES:

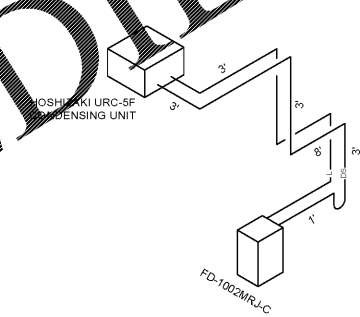
- PRE-CHARGED REFRIGERATION LINESETS ARE PROVIDED BY THE VENDOR, IN 50' SECTIONS, WITH 5/8\"/>



ENLARGED INTERIOR SLURPEE MACHINE (EACH) LIQUID AND DISCHARGE REFRIGERANT LINE SIZES AND CONNECTIONS

INSTALLATION NOTES:

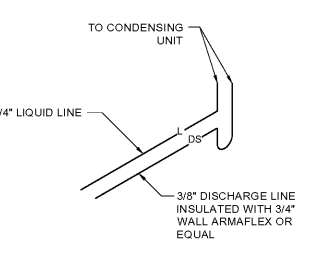
- MAXIMUM LINE LENGTH SHALL NOT EXCEED 50'
- LINE SETS SHALL BE MEASURED AND CUT TO FIT TOTAL DEVELOPED LENGTH AS TO NOT HAVE ANY REMAINING COIL OF TUBING ON-SITE



ICE MAKER LIQUID AND DISCHARGE REFRIGERANT LINE LENGTHS

DESIGN NOTES:

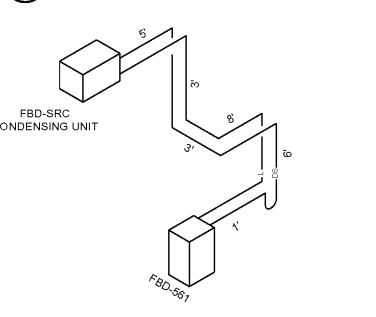
- PRE-CHARGED REFRIGERATION LINESETS ARE PROVIDED BY THE VENDOR, IN 50' SECTIONS, WITH 3/8\"/>



ENLARGED INTERIOR ICE MAKER LIQUID AND DISCHARGE REFRIGERANT LINE SIZES AND CONNECTIONS

INSTALLATION NOTES:

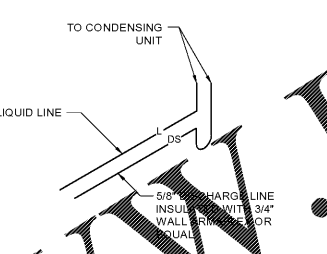
- MAXIMUM LINE LENGTH SHALL NOT EXCEED 66'
- LINE SETS SHALL BE MEASURED AND CUT TO FIT TOTAL DEVELOPED LENGTH AS TO NOT HAVE ANY REMAINING COIL OF TUBING ON-SITE
- MAXIMUM RISE IS 33'



OVERALL LEMONADE MACHINE LIQUID AND DISCHARGE REFRIGERANT LINE LENGTHS

DESIGN NOTES:

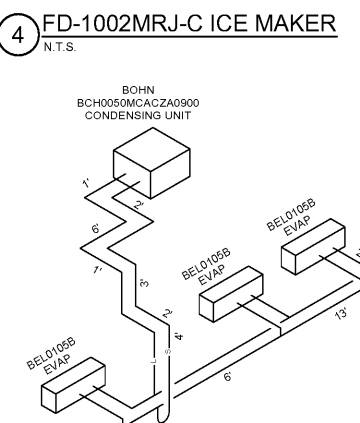
- PRE-CHARGED REFRIGERATION LINESETS ARE PROVIDED BY THE VENDOR, IN 50' SECTIONS, WITH 5/8\"/>



ENLARGED INTERIOR LEMONADE MACHINE LIQUID AND DISCHARGE REFRIGERANT LINE SIZES AND CONNECTIONS

INSTALLATION NOTES:

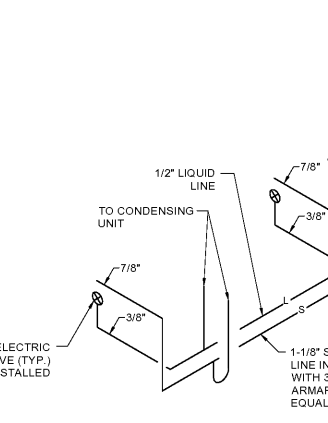
- MAXIMUM LINE LENGTH SHALL NOT EXCEED 50'
- LINE SETS SHALL BE MEASURED AND CUT TO FIT TOTAL DEVELOPED LENGTH AS TO NOT HAVE ANY REMAINING COIL OF TUBING ON-SITE



OVERALL VAULT COOLER LIQUID AND SUCTION REFRIGERANT LINE LENGTHS

DESIGN NOTES:

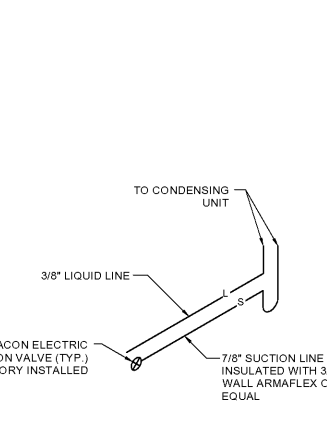
- LINE SIZING TABLE 24 FROM THE MANUAL SHOWS 36,000 BTUH REQUIRES A 1-1/8\"/>



ENLARGED INTERIOR VAULT COOLER LIQUID AND SUCTION REFRIGERANT LINE SIZES AND CONNECTIONS

LINE SIZING - 32,800 BTUH @ +20°F:

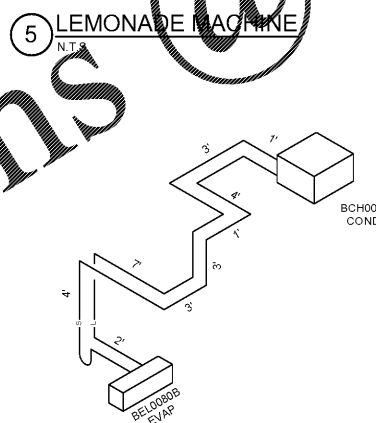
- (9) 1-1/8\"/>



ENLARGED INTERIOR STORAGE FREEZER LIQUID AND SUCTION REFRIGERANT LINE SIZES AND CONNECTIONS

LINE SIZING - 8,150 BTUH @ -20°F:

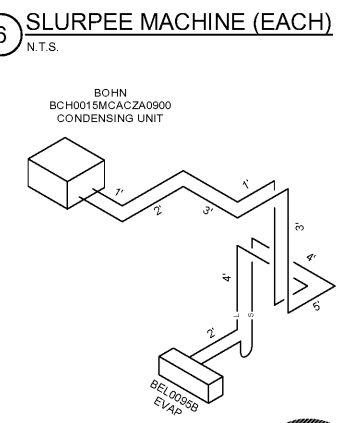
- (10) 7/8\"/>



OVERALL STORAGE FREEZER LIQUID AND SUCTION REFRIGERANT LINE LENGTHS

DESIGN NOTES:

- LINE SIZING TABLE 24 FROM THE MANUAL SHOWS 9,000 BTUH REQUIRES A 7/8\"/>



OVERALL STORAGE COOLER LIQUID AND SUCTION REFRIGERANT LINE LENGTHS

DESIGN NOTES:

- LINE SIZING TABLE 24 FROM THE MANUAL SHOWS 12,000 BTUH REQUIRES A 7/8\"/>

1 VAULT COOLER
 N.T.S.

REFER TO REFRIGERATION INSTALLATION MANUAL FOR LONGER LINE RUNS.
[HTTP://WWW.HEATCRAFT.COM/PDF/I&O/H-IM-CU.PDF](http://www.heatcraft.com/PDF/I&O/H-IM-CU.PDF)

2 STORAGE FREEZER
 N.T.S.

REFER TO REFRIGERATION INSTALLATION MANUAL FOR LONGER LINE RUNS.
[HTTP://WWW.HEATCRAFT.COM/PDF/I&O/H-IM-CU.PDF](http://www.heatcraft.com/PDF/I&O/H-IM-CU.PDF)

3 STORAGE COOLER
 N.T.S.

REFER TO REFRIGERATION INSTALLATION MANUAL FOR LONGER LINE RUNS.
[HTTP://WWW.HEATCRAFT.COM/PDF/I&O/H-IM-CU.PDF](http://www.heatcraft.com/PDF/I&O/H-IM-CU.PDF)

Order Plans @ www.lldieline.com