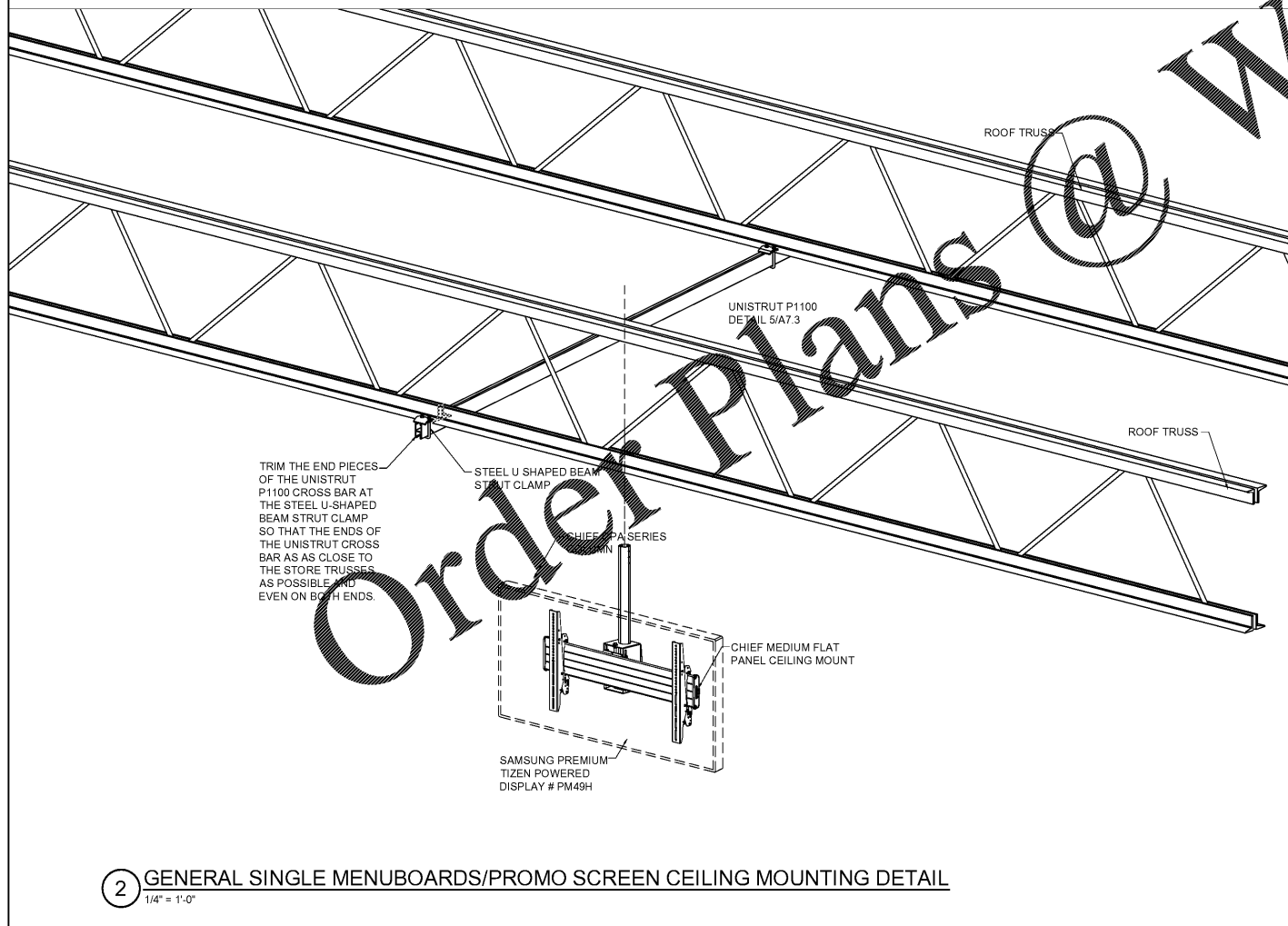


1 GENERAL THREE MENUBOARDS/PROMO SCREEN CEILING MOUNTING DETAIL  
1/4" = 1'-0"



2 GENERAL SINGLE MENUBOARDS/PROMO SCREEN CEILING MOUNTING DETAIL  
1/4" = 1'-0"

**GENERAL NOTES**  
**TRIPLE MENU BOARD - CEILING MOUNT:**

- G.C. TO ALWAYS FOLLOW THE MANUFACTURER'S INSTRUCTIONS THAT COME WITH THE HARDWARE.
- NOT EVERY INSTALLATION METHOD CAN BE DOCUMENTED. G.C IS EXPECTED TO KNOW HOW TO ATTACH TO ANY TYPE OF CEILING STRUCTURE. THESE INSTRUCTIONS WILL ASSUME THAT G.C IS ATTACHING UNISTRUT TO THE STRUCTURE ABOVE THE CEILING. PLEASE REFER TO DETAILS 1/A7.2 & 2/A7.2 FOR MORE DETAILS.
- THE SCREENS SHOULD BE CENTRED 6-24 INCHES BEHIND THE BACK EDGE OF THE HOT FOODS STATIONS AND NOT INTERFERE WITH THE SECURITY CAMERAS. THE SCREENS END UP 6' IN FRONT OF THE POLE. SO PLACE THE POLE 12-30" BEHIND THE BACK EDGE OF THE COUNTER. CAMERAS ARE 360 DEGREES AND LOOK AT THE CUSTOMER, CASH DRAWER AND CIGARETTE RACK.
- TRIPLE SCREEN MOUNT - HARDWARE**
  - SCREEN MOUNT - CHIEF LCM3X1U
  - UNISTRUT ADAPTOR CHIEF CMA372
  - COLUMN - CHIEF CPA072
  - COLUMN TO UNISTRUT CONNECTOR - CHIEF CPA262

**TRIPLE MENUBOARD MOUNT - INSTALLATION INSTRUCTION**  
**PLEASE READ ALL INSTRUCTION INCLUDING THE TIPS SECTION BELOW!**

- INSTALL THE UNISTRUT OR THE REQUIRED CEILING STRUCTURE IN THE CEILING ABOVE THE WARMING STATION SO THAT THE CENTER OF THE TWO COLUMNS WILL BE 57"-60" APART. GREATER WIDTHS MAY BE USED BUT COULD INTERFERE WITH MEDIA ENGINE PLACEMENT.
- BUILD AND ASSEMBLE CEILING MOUNT AS PER MANUFACTURER'S INSTRUCTIONS
- TRIPLE SCREEN MOUNT - INSTALLATION TIPS**
  - DO NOT MIX UP THE FASTENERS FROM EACH OF THE COMPONENTS. MANY LOOK THE SAME.
  - IF ANY OF THE INSTRUCTIONS GIVE YOU THE OPTION OF USING SECURITY VS. NON-SECURITY SCREWS, CHOOSE THE NON-SECURITY SCREWS.
  - CENTER THE COLUMNS ON THE WARMING STATION. FIND THE MID-POINT BETWEEN THE OUTER EDGE OF THE PIZZA WARMER AND THE LAST HOT DOG ROLLER AND MARK THE MIDDLE WITH MASKING TAPE OR SOMETHING SIMILAR. MARK UP IN THE CEILING OR ON THE UNISTRUT WHERE THIS IS AND INSTALL THE COLUMNS.
  - CUT A HOLE IN THE CEILING TILE FOR THE COLUMNS. DO NOT CUT THE CEILING TILES IN HALF.
  - TO CENTER THE RAIL BETWEEN THE COLUMNS, MARK THE CENTRE OF THE RAIL (54"), MEASURE THE MID-POINT BETWEEN THE COLUMNS AND LINE UP YOUR MARK.
  - IT IS NOT 100% CRITICAL TO HAVE THE COLUMNS CENTERED ON THE WARMING EQUIPMENT, AS THEY CAN BE OFFSET SLIGHTLY.
  - DO NOT FULLY TIGHTEN THE SET SCREWS ON THE ARRAY HEADS UNTIL THE HORIZONTAL RAIL HAS BEEN INSTALLED AND LEVELLED.

**GENERAL NOTES**

- CONTRACTOR TO RESERVE SPECIFIED MAPES CANOPY UPON BEING AWARDED THE BID TO ENSURE AVAILABILITY AND TIMELY INSTALLATION. SUBSTITUTIONS ARE NOT PERMITTED.

**GENERAL NOTES**  
**SINGLE PROMO SCREEN - CEILING MOUNT:**

- WHEN INSTALLING G.C TO FOLLOW THE MANUFACTURER'S INSTRUCTIONS THAT COME WITH THE HARDWARE.
- NOT EVERY INSTALLATION METHOD CAN BE DOCUMENTED. G.C IS EXPECTED TO KNOW HOW TO ATTACH TO ANY TYPE OF CEILING STRUCTURE. THESE INSTRUCTIONS WILL ASSUME THAT G.C IS ATTACHING UNISTRUT TO THE STRUCTURE ABOVE THE CEILING.
- IN A PERFECT SITUATION THE SCREEN SHOULD BE CENTERED ON THE BACK EDGE OF THE COUNTER, IN LINE WITH THE 3 MENU BOARD SCREENS AND NOT INTERFERE WITH THE SECURITY CAMERAS. CAMERAS ARE 360° AND LOOK AT THE CUSTOMER, CASH DRAWER AND CIGARETTE RACK. IF NECESSARY, THE SCREEN CAN BE OFFSET BACK FROM THE EDGE OF THE COUNTER.

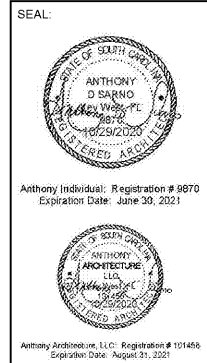
**PROMO SCREEN MOUNT - HARDWARE**

- SCREEN MOUNT - CHIEF LCM3X1U
- UNISTRUT ADAPTOR CHIEF CMA372
- COLUMN - CHIEF CPA072
- COLUMN TO UNISTRUT CONNECTOR - CHIEF CPA262

**PROMO SCREEN MOUNT - INSTALLATION INSTRUCTIONS**

- BUILD AND ASSEMBLE CEILING MOUNT AS PER MANUFACTURER'S INSTRUCTIONS.
- THE SCREEN MUST NOT INTERFERE WITH ANY WINDOW SHADES.
- DO NOT MIX UP THE FASTENERS FROM EACH OF THE COMPONENTS. MANY LOOK THE SAME.
- SET THE TILT ON THE SCREEN MOUNT TO 10 DEGREES
- MAKE SURE THE MOUNT IS LEVEL
- PIPE CUTTING**
  - ATTACH THE CPA262 COUPLER TO ONE END OF THE COLUMN AND SCREW INTO THE UNISTRUT ADAPTOR.
  - MARK THE HOLE THAT IS AT OR ABOVE 90° ABOVE THE FLOOR. IF THE PIPE DOES NOT EXTEND DOWN TO 90° BECAUSE THE MOUNTING POINT IS VERY HIGH ABOVE THE CEILING, YOU CAN GO AS HIGH AS 98".
  - MARK THE TOP EDGE OF THE HOLE BELOW AND CUT THE PIPE OFF AT THIS MARK.

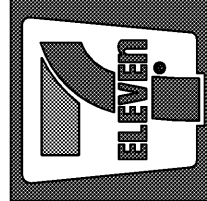
ANTHONY ARCHITECTURE, LLC  
1615 UNITED STREET  
KEY WEST, FL 33040  
305-365-2846  
ARCHITECT OF RECORD  
ANTHONY D. SARNO



**STIPULATION FOR REUSE**  
THIS DRAWING WAS PREPARED FOR MYRLE BEACH, SC BY AN ARCHITECT FIRM. IT IS TO BE USED ONLY FOR THE PROJECT AND SITE SPECIFIC TO THE PROJECT. IT IS NOT TO BE REPRODUCED OR TRANSMITTED IN ANY FORM OR BY ANY MEANS, ELECTRONIC OR MECHANICAL, INCLUDING PHOTOCOPYING, RECORDING, OR BY ANY INFORMATION STORAGE AND RETRIEVAL SYSTEM, WITHOUT THE WRITTEN PERMISSION OF THE ARCHITECT OF RECORD. ANY REUSE OF THIS DRAWING FOR ANY OTHER PROJECT WITHOUT THE WRITTEN PERMISSION OF THE ARCHITECT OF RECORD IS UNAUTHORIZED AND MAY BE CONSIDERED A VIOLATION OF THE LAW.

**Submissions:**  
DATE PHASE  
\_\_\_\_\_  
\_\_\_\_\_  
\_\_\_\_\_  
\_\_\_\_\_

**7-ELEVEN, INC.**  
3200 HACKBERRY ROAD, IRVING, TEXAS 75063  
**7-ELEVEN #41635**  
1401 LORENTY ROAD, SUITE 100  
MYRTLE BEACH, SC 29575

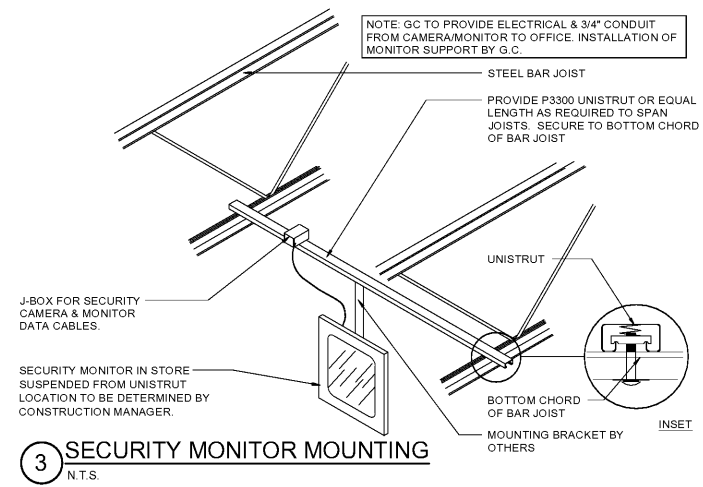


JOB NUMBER: 20009  
CHECKED BY: AS  
DRAWN BY: KC  
DATE: 9/11/20

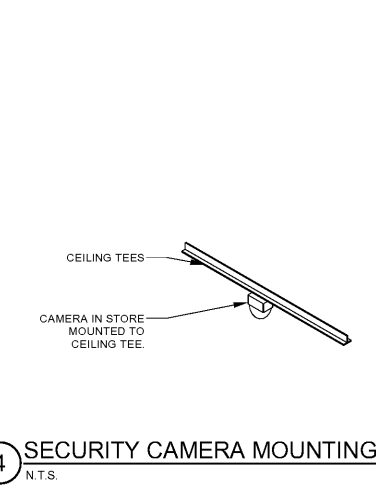
TITLE:  
DIGITAL MENU  
BOARDS  
INSTALLATION GUIDE  
AND DETAILS

SHEET:  
**A7.1**

WWW.WADILLING.COM



3 SECURITY MONITOR MOUNTING  
N.T.S.



4 SECURITY CAMERA MOUNTING  
N.T.S.