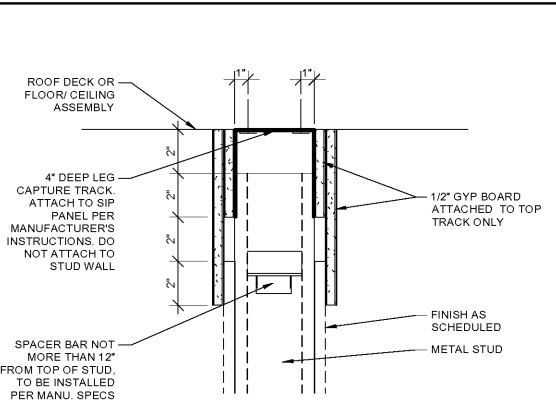
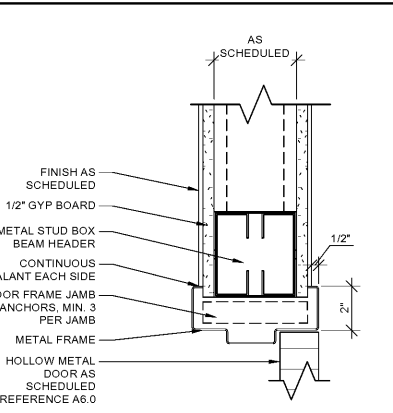


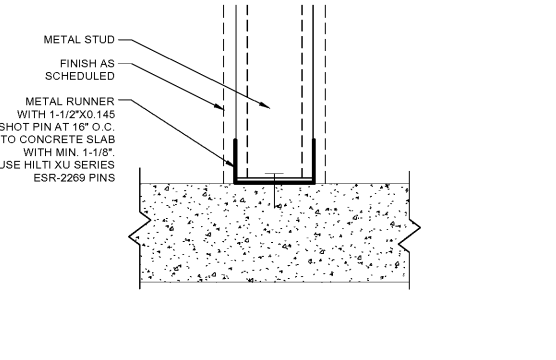
15 DETAIL - WATER HEATER/MOP SINK  
3/4" = 1'-0"



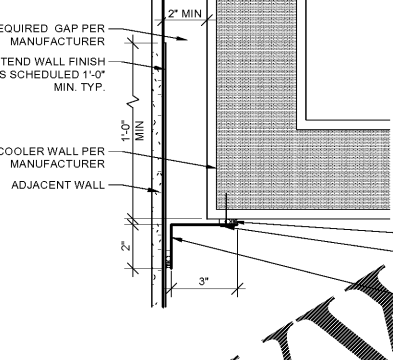
17 DETAIL - STUD SLIP JOINT  
3" = 1'-0"



16 DETAIL - INTERIOR DOOR JAMB / HEAD  
3" = 1'-0"

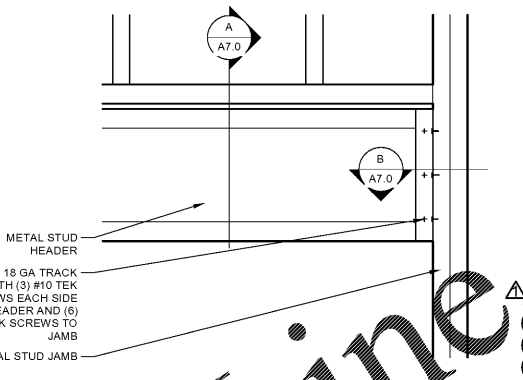


14 DETAIL - BASE STUD CONNECTION  
3" = 1'-0"

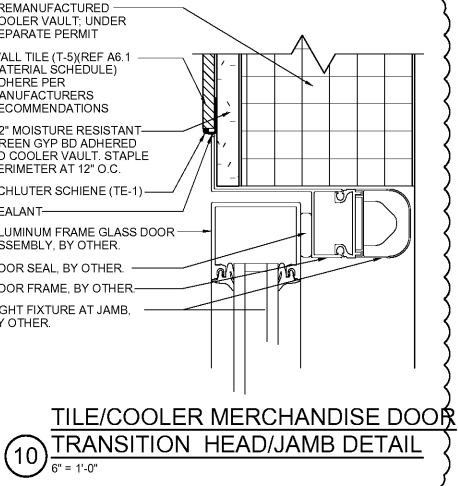
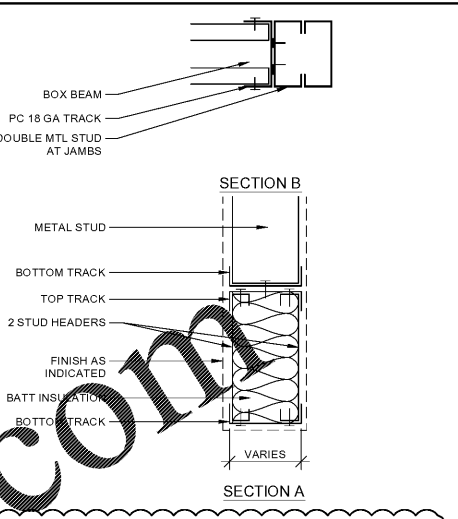


13 DETAIL - CLOSURE STRIP @ COOLER  
3" = 1'-0"

INTERIOR NON-LOAD BEARING PARTITION HEADER SCHEDULE				
HEADER LENGTH	HEADER MEMBERS	MINIMUM EFFECTIVE PROPERTIES PER STUD		
2' TO 6'	(2) 6" x 18 GAUGE	Ix = 2.042	Sx = 0.670	
6' TO 8'	(2) 6" x 16 GAUGE	Ix = 2.518	Sx = 0.839	
8' TO 10'	(2) 6" x 14 GAUGE	Ix = 3.094	Sx = 1.031	
10' TO 12'	(2) 8" x 18 GAUGE	Ix = 4.134	Sx = 1.033	
12' TO 14'	(2) 8" x 16 GAUGE	Ix = 5.110	Sx = 1.277	
14' TO 16'	(2) 8" x 14 GAUGE	Ix = 6.303	Sx = 1.576	
16' TO 18'	(2) 10" x 14 GAUGE	Ix = 12.325	Sx = 2.456	
18' TO 26'	(2) 12" x 16 GAUGE	Ix = 15.730	Sx = 2.334	

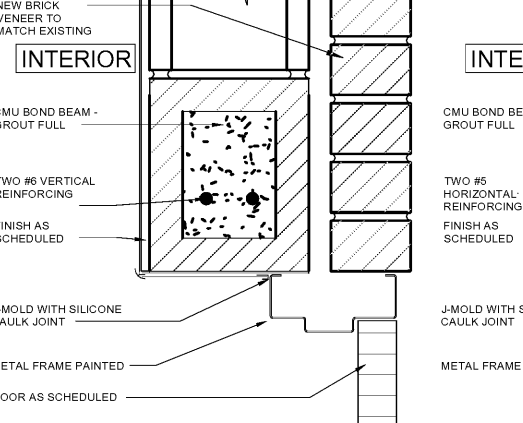


12 DETAIL - HEADER  
1 1/2" = 1'-0"

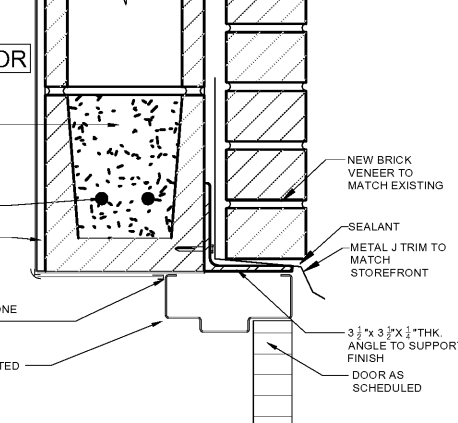


10 TILE/COOLER MERCHANDISE DOOR TRANSITION HEAD/JAMB DETAIL  
6" = 1'-0"

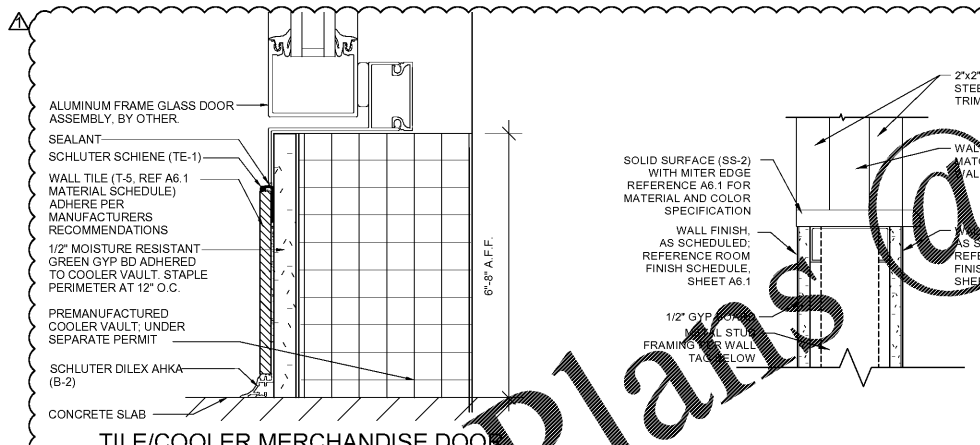
11 NOT USED  
1 1/2" = 1'-0"



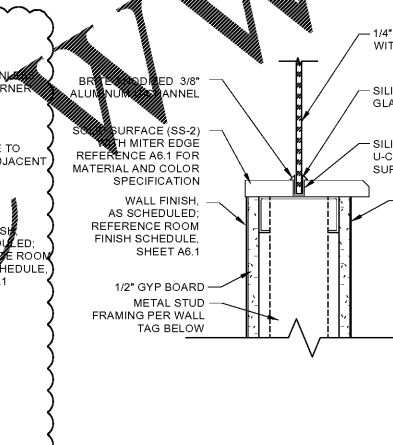
6 HOLLOW METAL DOOR JAMB  
3" = 1'-0"



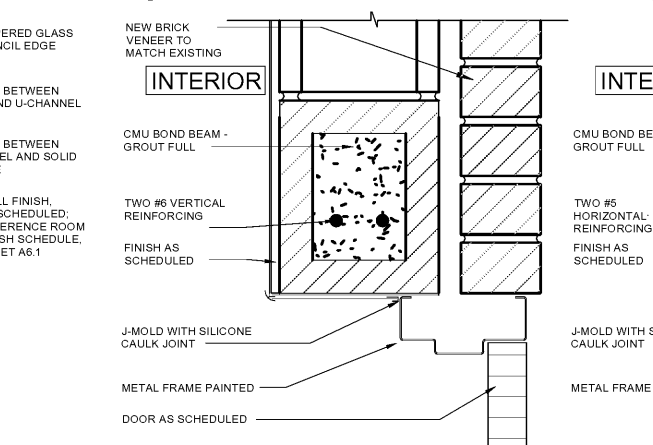
5 HOLLOW METAL DOOR HEAD  
3" = 1'-0"



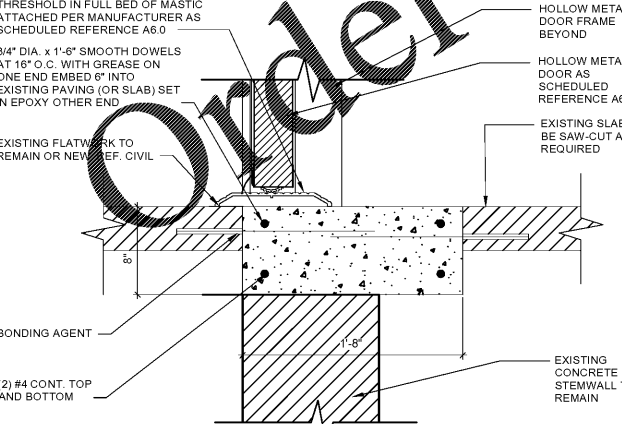
9 TILE/COOLER MERCHANDISE DOOR TRANSITION BASE DETAIL  
6" = 1'-0"



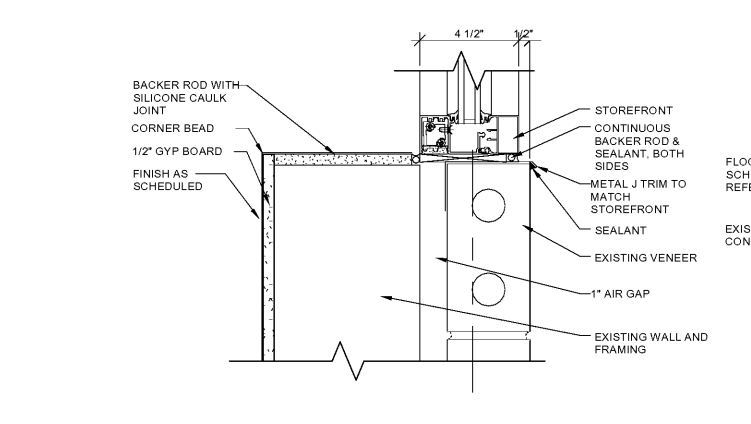
8 CASSED OPENING SILL  
3" = 1'-0"



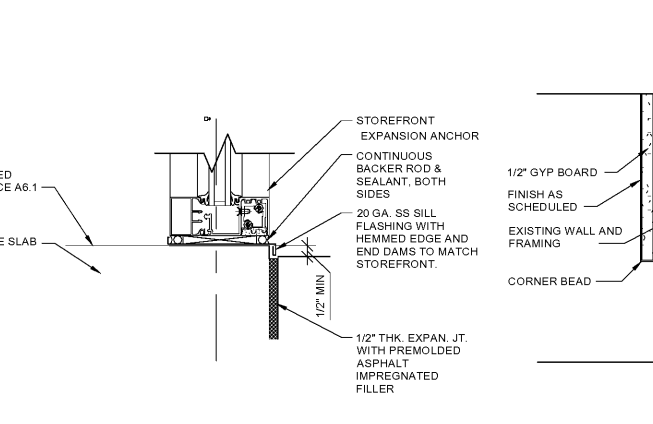
7 KNEE WALL CAP DETAIL  
3" = 1'-0"



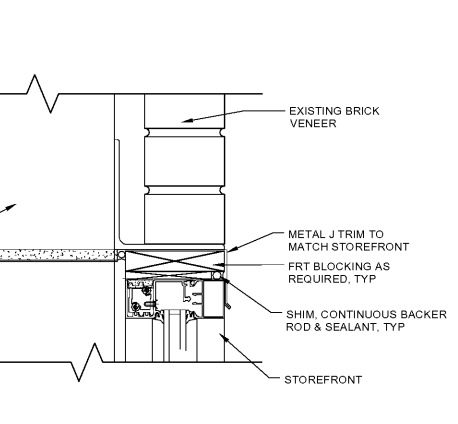
4 DOOR THRESHOLD  
1 1/2" = 1'-0"



3 DETAIL - STOREFRONT JAMB  
3" = 1'-0"



2 DETAIL - STOREFRONT SILL  
3" = 1'-0"



1 DETAIL - STOREFRONT HEAD  
3" = 1'-0"

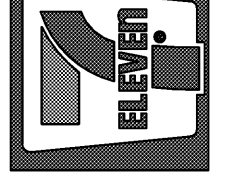
ANTHONY ARCHITECTURE, LLC  
1615 UNITED STREET  
KEY WEST, FL 33040  
305-395-2846  
ARCHITECT OF RECORD.  
ANTHONY D. SARNO

SEAL:  
ANTHONY D. SARNO  
REGISTERED ARCHITECT  
FLORIDA  
102252202  
ANTHONY ARCHITECTURE, LLC  
1615 UNITED STREET  
KEY WEST, FL 33040  
305-395-2846  
ANTHONY D. SARNO  
ARCHITECT OF RECORD.  
ANTHONY D. SARNO  
ANTHONY ARCHITECTURE, LLC  
1615 UNITED STREET  
KEY WEST, FL 33040  
305-395-2846  
ANTHONY D. SARNO  
ARCHITECT OF RECORD.  
ANTHONY D. SARNO

STIPULATION FOR REUSE:  
THIS DRAWING WAS PREPARED FOR THE PROJECT IDENTIFIED HEREIN. IT IS TO BE USED ONLY FOR THE PROJECT IDENTIFIED HEREIN. ANY REUSE OF THIS DRAWING FOR ANY OTHER PROJECT WITHOUT THE WRITTEN PERMISSION OF ANTHONY ARCHITECTURE, LLC IS STRICTLY PROHIBITED. THE USER OF THIS DRAWING SHALL BE RESPONSIBLE FOR OBTAINING ALL NECESSARY PERMITS AND FOR THE ACCURACY OF THE INFORMATION PROVIDED TO THE ARCHITECT. THE ARCHITECT SHALL NOT BE RESPONSIBLE FOR ANY ERRORS OR OMISSIONS IN THIS DRAWING OR FOR ANY CONSEQUENCES ARISING FROM THE USE OF THIS DRAWING.

Submissions:  
DATE PHASE  
10/2/20 PR1

7-ELEVEN, INC.  
3200 HACKBERRY ROAD, IRVING, TEXAS 75063  
7-ELEVEN #41635  
1401 LOVELLY ROAD, MYRTLE BEACH, SC 29575



JOB NUMBER: 20009  
CHECKED BY: AS  
DRAWN BY: KC  
DATE: 9/11/20

TITLE:  
DETAILS

SHEET:  
A7.0