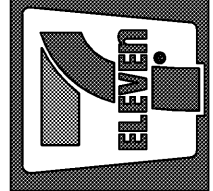


STIPULATION FOR REUSE
 THIS DRAWING WAS PREPARED FOR MY CLIENT AND IS NOT TO BE REUSED OR REPRODUCED IN ANY MANNER WITHOUT THE WRITTEN PERMISSION OF ANTHONY ARCHITECTURE, LLC. ANY REUSE OF THIS DRAWING WITHOUT THE WRITTEN PERMISSION OF ANTHONY ARCHITECTURE, LLC IS UNLAWFUL AND MAY BE CONSIDERED A VIOLATION OF THE LAW.

Submissions:
 DATE PHASE
 10/2/20 PR1

7-ELEVEN, INC.
 3200 HACKBERRY ROAD, IRVING, TEXAS 75063
 7-ELEVEN #41635
 1401 LOCHENTY ROAD, MYRTLE BEACH, SC 29575



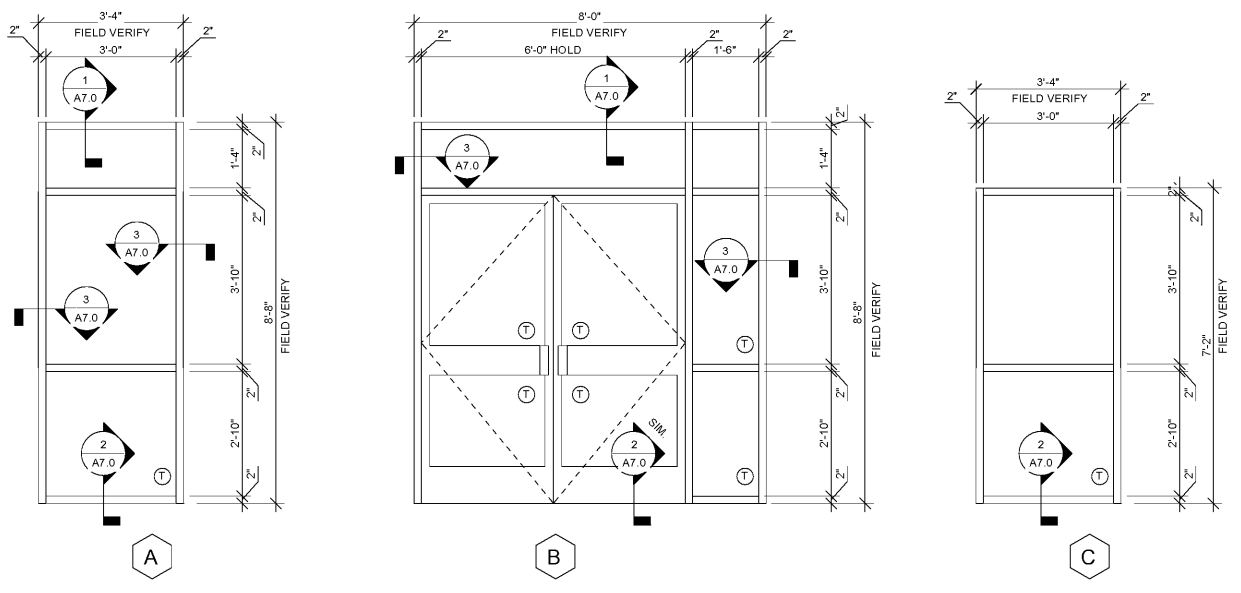
JOB NUMBER: 20009
 CHECKED BY: AS
 DRAWN BY: KC
 DATE: 9/11/20

TITLE:
 STOREFRONT &
 DOOR TYPES &
 SCHEDULES

SHEET:
 A6.0

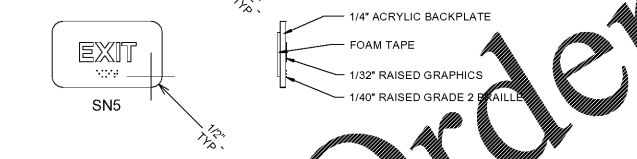
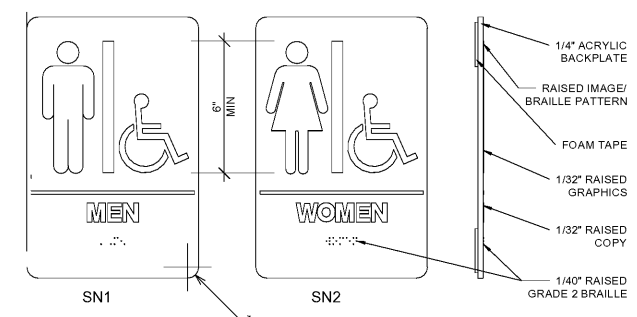
| DOOR NUMBER | ROOM NAME | DOOR TYPE | HARDWARE SET | WIDTH | HEIGHT | DOOR THICKNESS | MATERIALS | | | COMMENTS |
|-------------|-------------|-----------|--------------|-------|--------|----------------|------------------|--------------|-------|--|
| | | | | | | | ALUMINUM & GLASS | HOLLOW METAL | METAL | |
| 101A | MERCHANDISE | 1 | 1 | 6'-0" | 7'-0" | 1 3/4" | X | X | X | TEMPERED GLASS LITES |
| 101B | MERCHANDISE | 2 | 2 | 6'-0" | 7'-0" | 1 3/4" | X | X | X | |
| 103 | OFFICE | 4 | 4 | 3'-0" | 7'-0" | 1 3/4" | X | X | X | |
| 104 | BACK ROOM | 3 | 3 | 3'-0" | 7'-0" | 1 1/2" | X | X | X | MUELLER DOUBLE ACTING DOOR - ITEM #914 ON EF-1 |
| 105 | WOMEN | 5 | 5 | 3'-0" | 7'-0" | 1 3/4" | X | X | X | |
| 106 | MEN | 5 | 5 | 3'-0" | 7'-0" | 1 3/4" | X | X | X | |
| 111 | CDC TOTE | 6 | 6 | 3'-0" | 7'-0" | 1 3/4" | X | X | X | |

| DOOR HARDWARE SCHEDULE - DOOR HARDWARE (EXCLUDING KAWNEER) FURNISHED AND INSTALLED BY GC | |
|---|---|
| PAIR | 3'-0" X 7'-0" KAWNEER CURTAIN DOORS |
| HARDWARE SET NO. 1 (ENTRY DOORS) | |
| HARDWARE LISTED BELOW IS INCLUDED WITH KAWNEER STOREFRONT AND DOORS ORDER. SEE CONTACT INFORMATION BELOW. | |
| 1 PAIR KAWNEER HINGES AND 3 BUTT HINGES (3 PER LEAF) | |
| ADAMS-RITE #550A 1-1/2" DIA. LOCK (2) 1-5/32" (29.4) DIAMETER 5 PIN CYLINDERS, (ACTIVE LEAF) | |
| ADAMS-RITE #550A 1-1/2" DIA. LOCK (2) 1-5/32" (29.4) DIAMETER 5 PIN CYLINDERS, (ACTIVE LEAF) | |
| KAWNEER CO-9 3" SIMULATED PUSH & PULL HARDWARE, US32D FINISH | |
| NORTON #01 SURFACE CLOSE, WITH BACKCHECK, WITHOUT HOLD OPEN | |
| KAWNEER #2000 1/2" X 4" MILL FINISH ALUMINUM THRESHOLD | |
| HARDWARE SET KAWNEER CONTACT INFO. | |
| CONTACT: CHERYL WILKERSON CHERYL.WILKERSON@ARCONIC.COM 317.771.9263 P | |
| STOREFRONT CONTRACTOR SHALL CONTACT CHERYL WILKERSON AND REQUEST 7-ELEVEN NATIONAL PRICING. | |
| HARDWARE SET NO. 2 (REAR EXIT) | |
| 1-1/2 PAIR | BUTTS TA2714 4-1/2" X 4-1/2" NRP 26D MCKINNEY |
| 1 EA. | EXIT DEVICE DETEX ALARM #ECL-230D W/ PANIC HARDWARE |
| 1 EA. | CLOSER 4031 HEAVY DUTY AL UNIVERSAL HARDWARE |
| 1 SET | WEATHER STRIP 319CR PEMKO |
| 1 EA. | RAIN DRIP 346-C-36" ALUM PEMKO |
| 1 EA. | DOOR BOTTOM 216-AV-36" PEMKO |
| 1 EA. | THRESHOLD 170-A-36" PEMKO |
| HARDWARE SET NO. 3 (BACKROOMS 104) | |
| ITEM #915 ON EF-1 | MUELLER DOOR CORPORATION - PROVIDED BY 7-ELEVEN, INSTALLED BY GC |
| HARDWARE SET NO. 4 (OFFICE) | |
| 1-1/2 PAIR | BUTTS TA2714 4-1/2" X 4-1/2" NRP 26D MCKINNEY |
| 1 EA. | LOCK SET W/ DEAD BOLT & THUMB LATCH 4608L WID212 YALE |
| 1 EA. | STOP FS13 W/ R14 RISER 26D IVES |
| 2 EA. | DOOR VIEWER U-10348 DEFENDER SECURITY |
| 1 EA. | CLOSER 4031 HEAVY DUTY AL UNIVERSAL HARDWARE |
| 2 EA. | COAT HOOK 8425 ASI PROVIDED BY 7-ELEVEN, INSTALLED BY G.C. |
| HARDWARE SET NO. 5 DOOR (RESTROOM) | |
| 1-1/2 PAIR | BUTTS TA2714 4-1/2" X 4-1/2" NRP 26D MCKINNEY |
| 1 EA. | PUSH HEAVY DUTY AL UNIVERSAL HARDWARE |
| 1 EA. | PULL HEAVY DUTY AL UNIVERSAL HARDWARE |
| 1 EA. | CLOSER 4031 HEAVY DUTY AL UNIVERSAL HARDWARE |
| 1 EA. | STOP FS13 W/ R14 RISER 26D IVES |
| 1 EA. | KICK PLATE 34" X 30" 0.050 BRUSHED STAINLESS STEEL - PUSH SIDE ONLY |
| HARDWARE SET NO. 6 (CDC TOTE) | |
| 1-1/2 PAIR | BUTTS TA2714 4-1/2" X 4-1/2" NRP 26D MCKINNEY |
| 1 EA. | LOCK SET 4608L YALE |
| 1 EA. | CLOSER 4031 HEAVY DUTY AL UNIVERSAL HARDWARE |
| 1 EA. | KICK PLATE 34" X 30" 0.050 BRUSHED STAINLESS STEEL - PUSH SIDE ONLY |



Ⓢ = SPANDREL GLASS
 Ⓣ = TEMPERED GLASS

3 STOREFRONT FRAMES
 1/2" = 1'-0"



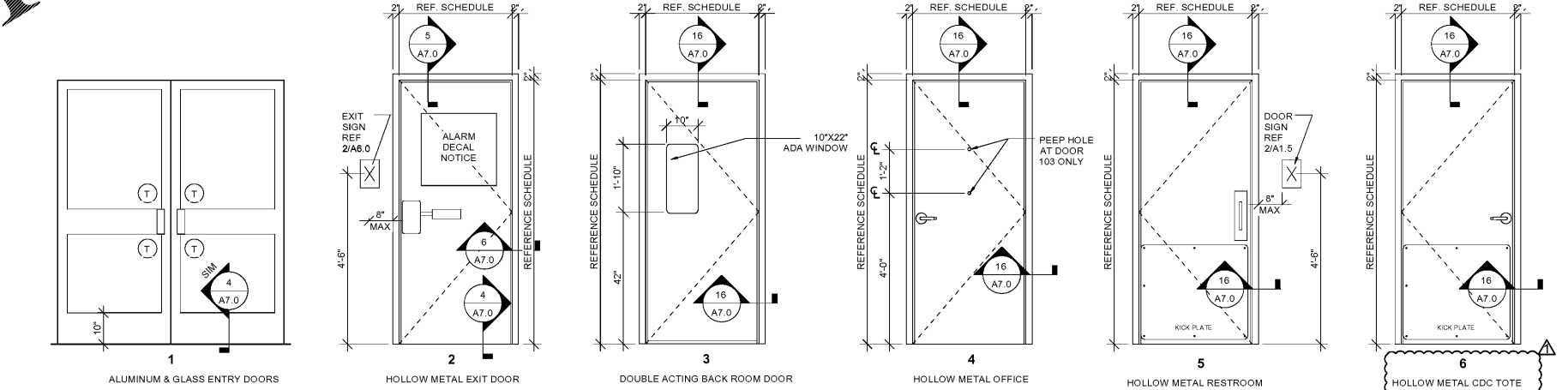
RESTROOM/EXIT SIGNAGE SPECIFICATIONS

- LETTERS AND NUMERALS SHALL BE RAISED 1/32" UPPER CASE, SERIF SERIF OR SIMILAR SERIF TYPE AND SHALL BE ACCOMPANIED WITH GRADE 2 BRAILLE. RAISED CHARACTERS SHALL BE AT LEAST 5/8" HIGH, BUT NO HIGHER THAN 2". PICTOGRAMS SHALL BE ACCOMPANIED BY THE EQUIVALENT VERBAL DESCRIPTION PLACED DIRECTLY BELOW THE PICTOGRAMS. THE BORDER DIMENSION OF THE PICTOGRAM SHALL BE 6" MINIMUM IN HEIGHT.
- THE CHARACTERS AND BACKGROUND OF SIGNS SHALL BE EGGSHELL MATTE, OR OTHER NON-GLARE FINISH. CHARACTERS AND SYMBOLS SHALL CONTRAST WITH THEIR BACKGROUND - EITHER LIGHT CHARACTERS ON A DARK BACKGROUND OR DARK CHARACTERS ON A LIGHT BACKGROUND.
- WHERE PERMANENT IDENTIFICATION IS PROVIDED FOR ROOMS AND SPACES, SIGNS SHALL BE INSTALLED ON THE WALL ADJACENT TO THE LATCH SIDE OF THE DOOR. WHERE THERE IS NO WALL SPACE TO THE LATCH SIDE OF THE DOOR, INCLUDING DOUBLE LEAF DOORS, SIGNS SHALL BE PLACED ON THE NEAREST ADJACENT WALL. MOUNTING HEIGHT SHALL BE 48" A.F.F. TO THE CENTERLINE OF THE SIGN. MOUNTING LOCATION FOR SUCH SIGNAGE SHALL BE SO THAT A PERSON MAY APPROACH WITHIN 3" OF SIGNAGE WITHOUT ENCOUNTERING PROTRUDING OBJECTS OR STANDING WITHIN THE SWING OF A DOOR.

2 EXIT/RESTROOM WALL SIGNAGE & SYMBOLS
 N.T.S.

| STOREFRONT SCHEDULE | | | | | | | | | | | | |
|---------------------|-----------------------|-------------|--------|-------|----------------------|-----------|-----------|---------------|----------|----------------------|-----------|----------------|
| TYPE | INSULATING GLASS UNIT | | | | FRAME | | | ORIENTATION | COMMENTS | | | |
| | OUTDOOR LITE | INDOOR LITE | SPACER | GLASS | SURFACE 1 (EXTERIOR) | SURFACE 2 | SURFACE 3 | | | SURFACE 4 (INTERIOR) | | |
| A | 6MM | 6MM | 1/2" | .60 | CLEAR | CLEAR | CLEAR | CLEAR 3M FILM | X | X | SOUTHEAST | MATCH EXISTING |
| B | 6MM | 6MM | 1/2" | .60 | CLEAR | CLEAR | CLEAR | CLEAR 3M FILM | X | X | SOUTHEAST | MATCH EXISTING |
| C | 6MM | 6MM | 1/2" | .70 | CLEAR | CLEAR | CLEAR | CLEAR 3M FILM | X | X | SOUTH | MATCH EXISTING |

NOTE: REFERENCE MATERIAL SPECIFICATIONS FOR 3M FILM REQUIREMENTS.



1 DOOR FRAMES
 1/2" = 1'-0"

NOTE: HOLLOW METAL DOOR PANEL TO BE 18 GA MIN.
 HOLLOW METAL FRAME TO BE 16 GA MIN.

WWW.LDILLIEME.COM