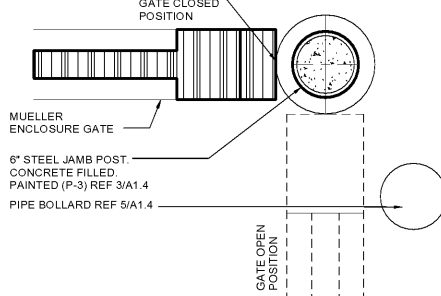
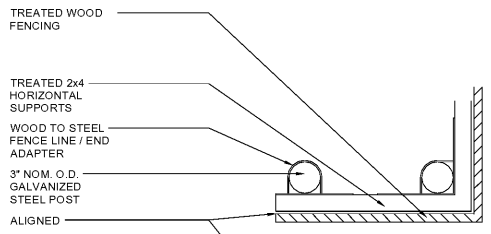


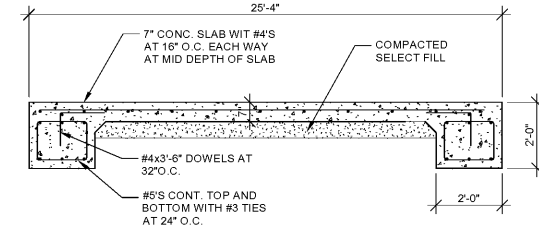
REF. A6.1 FOR EXT. FINISH SCHEDULE
10 SIDE DUMPSTER ENCL. ELEVATION
 3/8" = 1'-0"



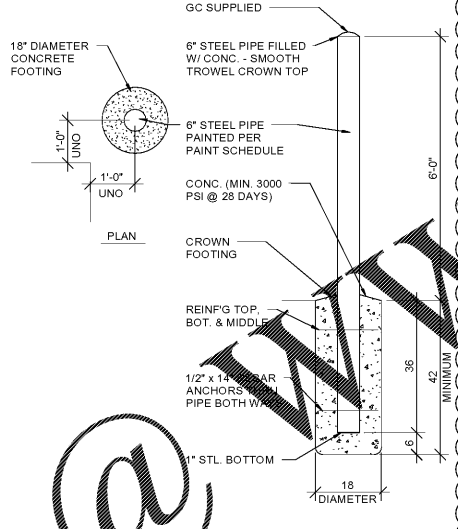
REF. A6.1 FOR EXT. FINISH SCHEDULE
9 REAR DUMPSTER ENCL. ELEVATION
 3/8" = 1'-0"



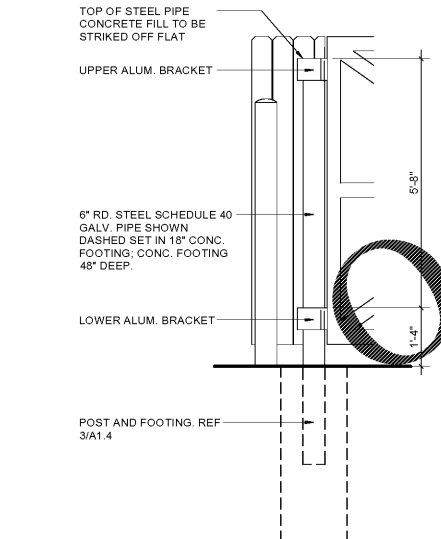
7 DETAIL - GATE
 1 1/2" = 1'-0"



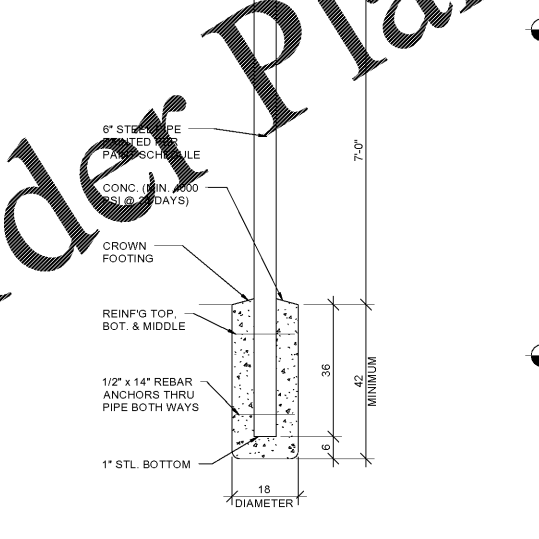
6 DUMPSTER ENCL. FOUNDATION SECTION
 3/8" = 1'-0"



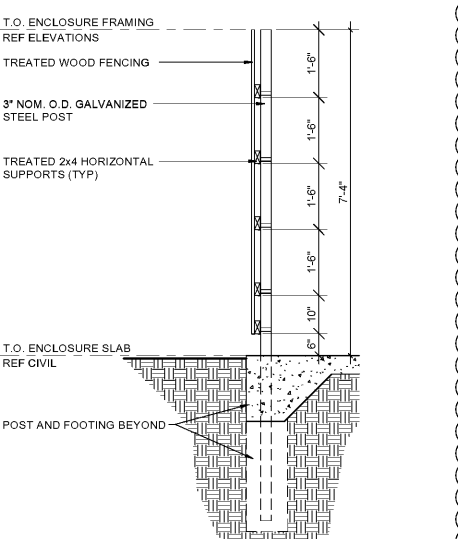
5 TYPICAL BOLLARD SECTION
 1/2" = 1'-0"



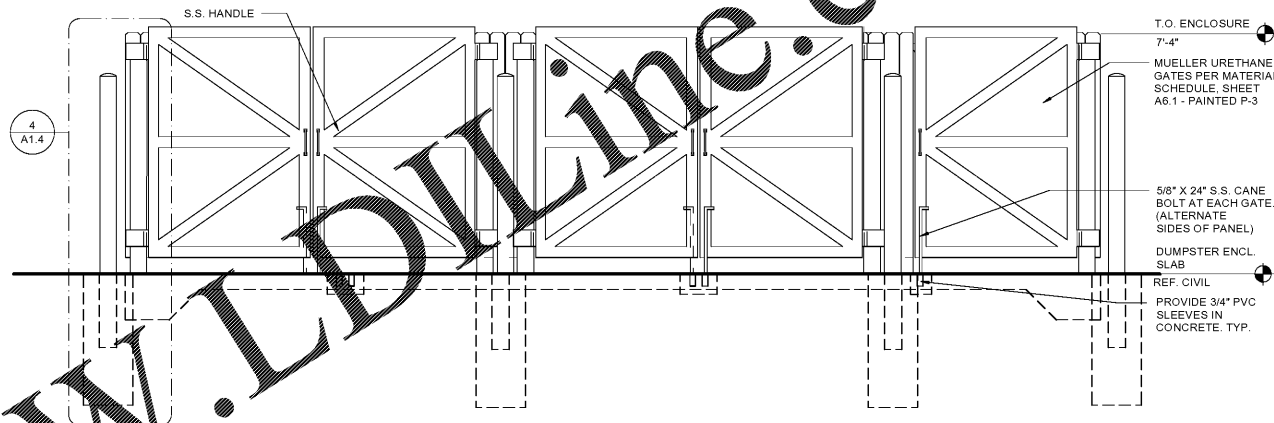
4 GATE BOLLARD DETAIL
 1/2" = 1'-0"



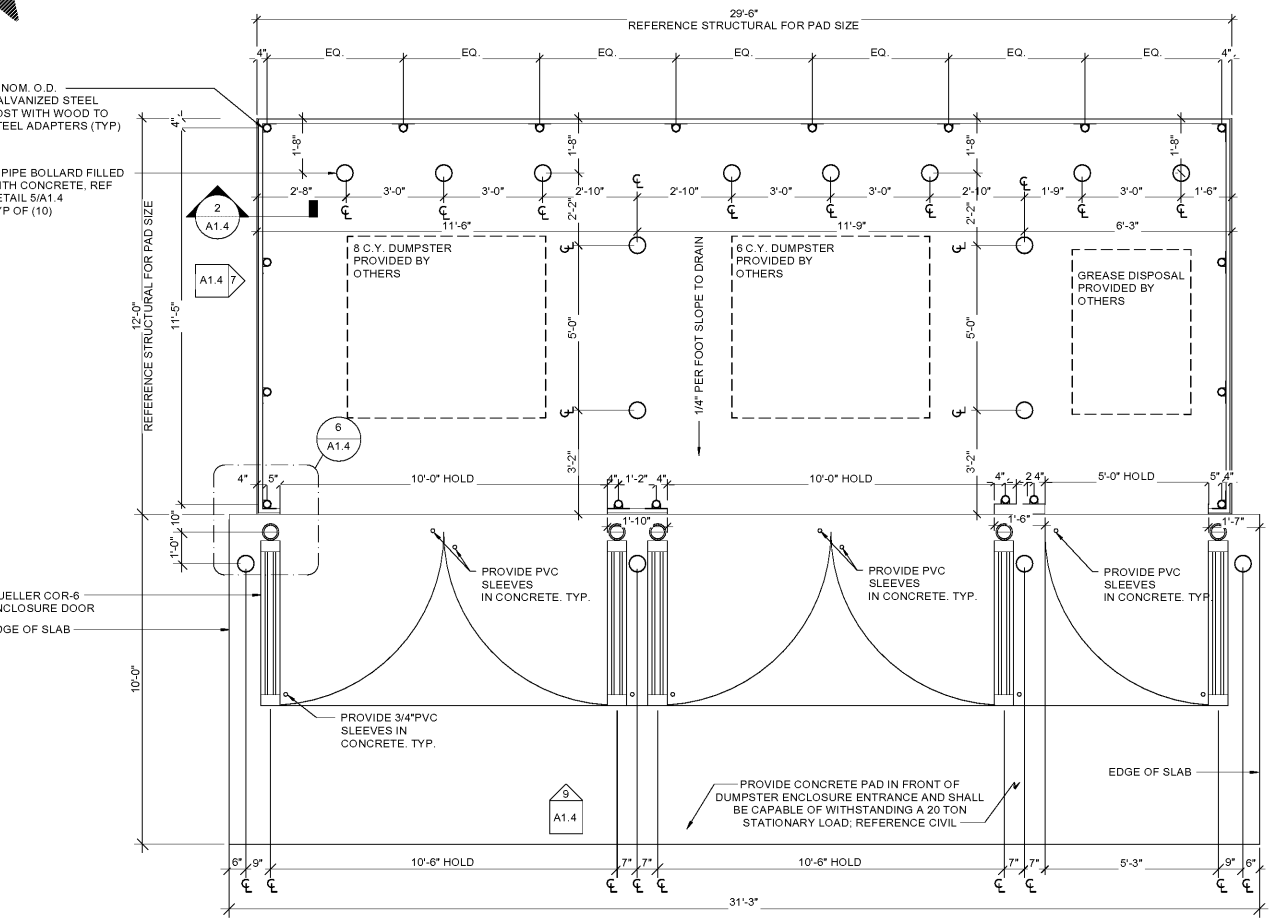
3 GATE POST DETAIL
 1/2" = 1'-0"



2 DUMPSTER ENCL. WALL SECTION
 1/2" = 1'-0"



8 FRONT DUMPSTER ENCL. ELEVATION
 3/8" = 1'-0"

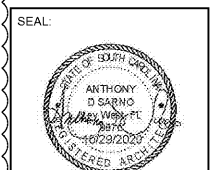


1 DUMPSTER ENCLOSURE PLAN
 3/8" = 1'-0"

PRINTED BY: KCAD
 DRAWING NAME: 204 A1.4 DUMPSTER ENCLOSURE & DETAILING
 PRINT DATE: Nov 03, 2020 - 3:11pm

Order Plans @ www.lidilines.com

ANTHONY ARCHITECTURE, LLC
 1815 UNITED STREET
 KEY WEST, FL 33040
 305-395-2846
 ARCHITECT OF RECORD:
 ANTHONY D. SARNO



Anthony Individual, Registration # 9870
 Expiration Date: June 30, 2021



Anthony Architecture, LLC, Registration # 121426
 Expiration Date: August 31, 2021

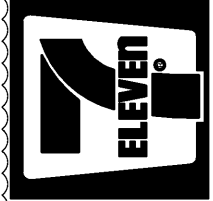
STIPULATION FOR REUSE:
 THIS DRAWING WAS PREPARED FOR MYRTLE BEACH, SC. SITE AT 7-ELEVEN. ANY REUSE OF THIS DRAWING FOR ANY OTHER PROJECT WITHOUT THE WRITTEN PERMISSION OF ANTHONY ARCHITECTURE, LLC IS STRICTLY PROHIBITED. THE USER ASSUMES ALL LIABILITY FOR ANY REUSE OF THIS DRAWING. ANTHONY ARCHITECTURE, LLC AND ANTHONY D. SARNO ACCEPT NO LIABILITY FOR ANY REUSE OF THIS DRAWING FOR ANY OTHER PROJECT WITHOUT THE WRITTEN PERMISSION OF ANTHONY ARCHITECTURE, LLC.

Submissions:
 DATE PHASE

10/2/20 PR1

7-ELEVEN, INC.
 3200 HACKBERRY ROAD, IRVING, TEXAS 75063

7-ELEVEN #41635
 1401 QUINCY ROAD
 MYRTLE BEACH, SC 29575



JOB NUMBER: 20009
 CHECKED BY: AS
 DRAWN BY: KC
 DATE: 9/11/20

TITLE:
DEMOLITION FLOOR PLAN

SHEET:
A1.4