

BLAKEWAY
 surveying + engineering + environmental

630 N. WITCHDUCK RD. - VA BEACH, VIRGINIA 23462
 P157.226.0081 - F757.226.8765
 www.blakewaycorp.com

DATE ISSUED	DATE	REV	DESCRIPTION
08-27-20			

DATE ISSUED	DATE	REV	DESCRIPTION
08-27-20			

DATE ISSUED	08-27-20
DRAWN BY	GAF
REVIEWED BY	GAF
DESIGNED BY	GAF

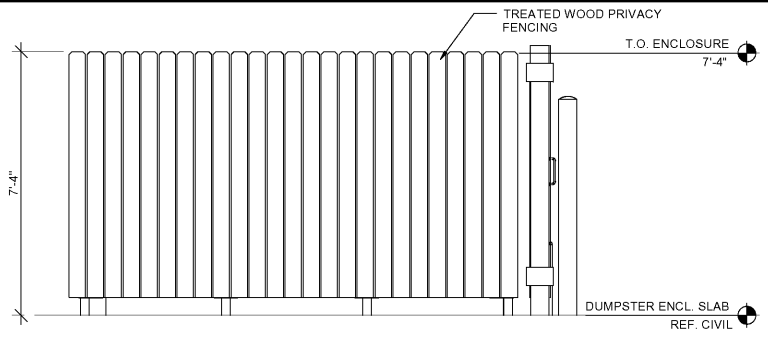
LOCATION
N. HWY 17 AND COVENTRY RD.

SHEET TITLE
MISC. NOTES AND DETAILS

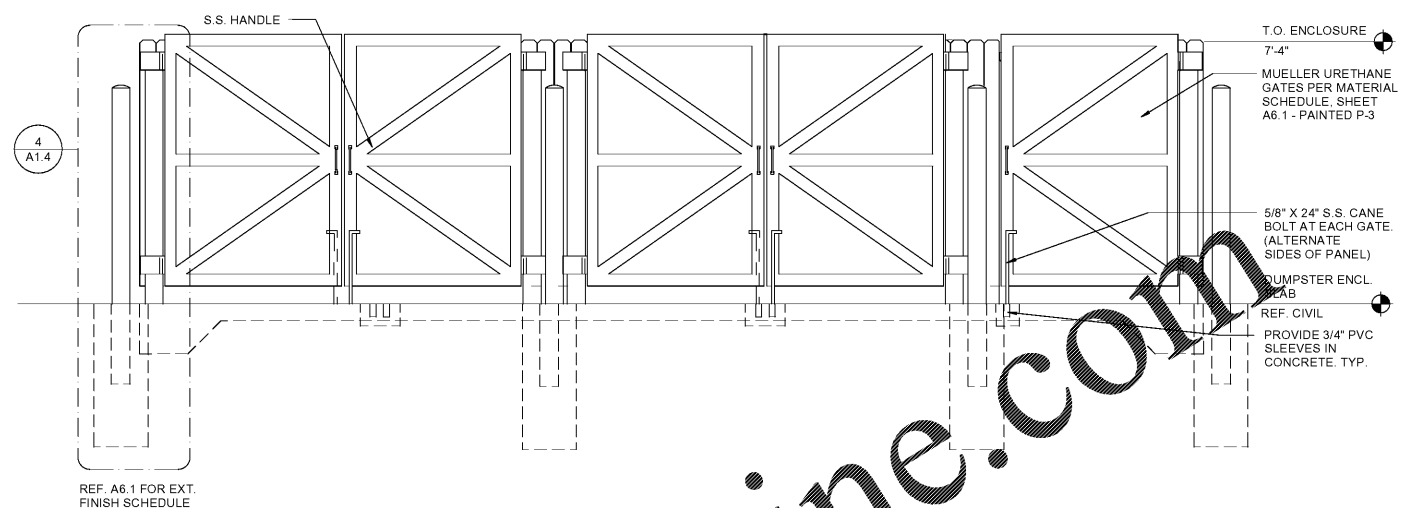
STORE NUMBER
 1046736

LOCATION
HORRY COUNTY, SC

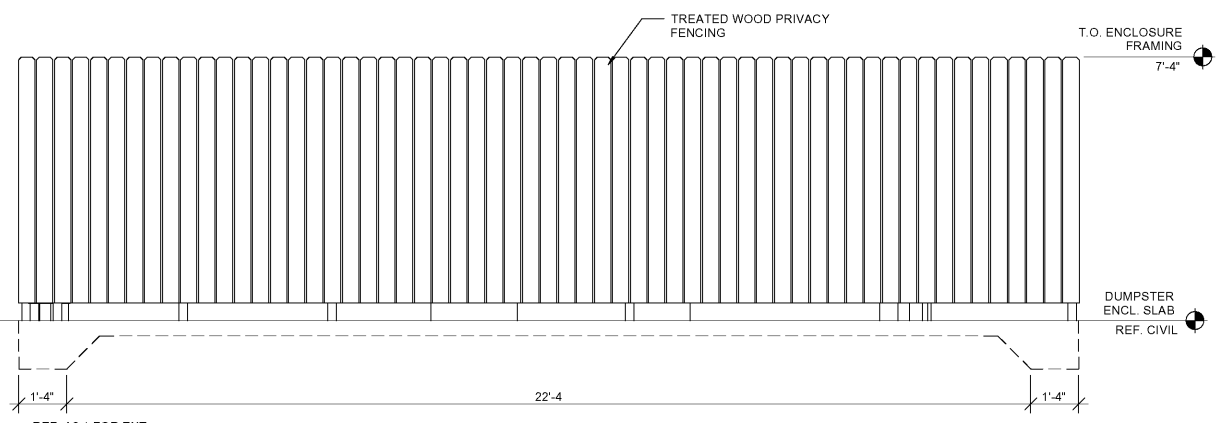
SURFSIDE BEACH



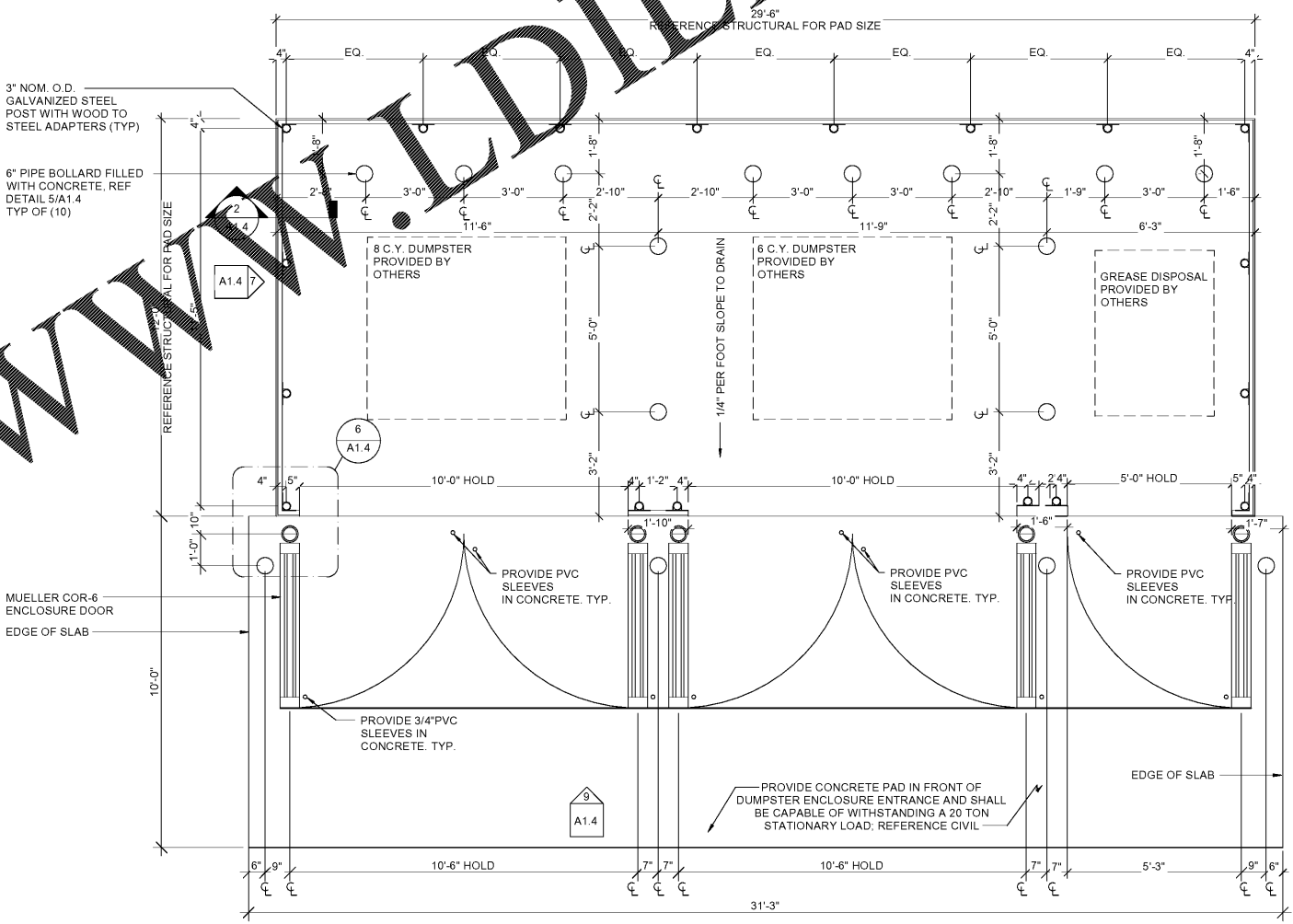
REF. A6.1 FOR EXT. FINISH SCHEDULE
10 SIDE DUMPSTER ENCL. ELEVATION
 3/8" = 1'-0"



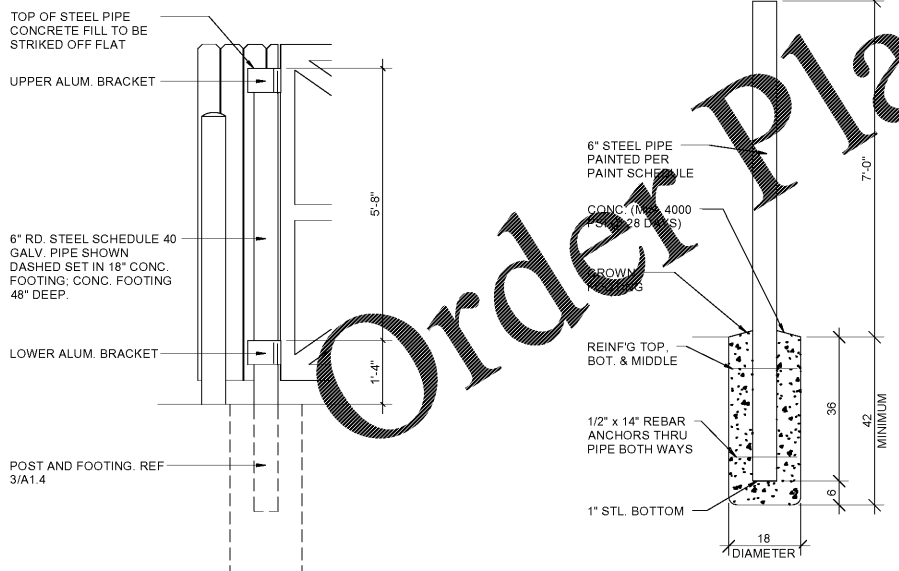
REF. A8.1 FOR EXT. FINISH SCHEDULE
8 FRONT DUMPSTER ENCL. ELEVATION
 3/8" = 1'-0"



REF. A6.1 FOR EXT. FINISH SCHEDULE
9 REAR DUMPSTER ENCL. ELEVATION
 3/8" = 1'-0"



1 DUMPSTER ENCLOSURE PLAN
 3/8" = 1'-0"



4 GATE BOLLARD DETAIL
 1/2" = 1'-0"

3 GATE POST DETAIL
 1/2" = 1'-0"

NOTE: THESE DETAILS ARE FOR REFERENCE ONLY. DUMPSTER SHALL BE CONSTRUCTED USING ARCHITECTURAL PLANS.

NOTE: DUMPSTER ENCLOSURE SCREENING WALLS SHALL BE A MINIMUM OF 12" TALLER THAN THE DUMPSTER.

FILE NAME: P:\6229-Encore Rec\ Estlet\6229-23-Hwy 17 and Coventry\Doc\Surfside Beach SC 14-CDT-10.2 Notes & Details.dwg PLOTTED: Monday, October 05, 2020 - 10:45am

Order Plans @ www.dline.com