

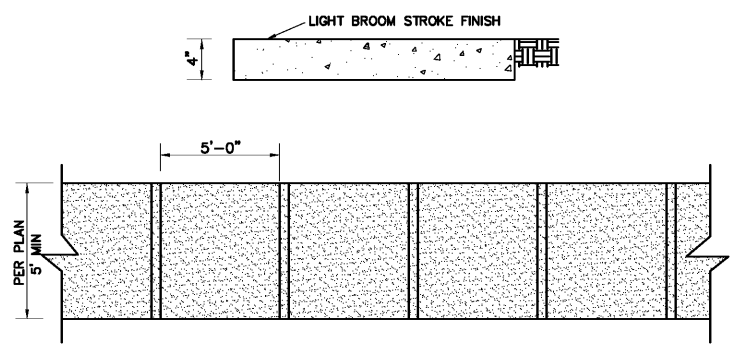


**BLAKEWAY**  
 surveying + engineering + environmental

630 N. WITCHDUCK RD. - VA BEACH, VIRGINIA 23462  
 P757.226.0081 - F757.226.8765  
 www.blakewaycorp.com

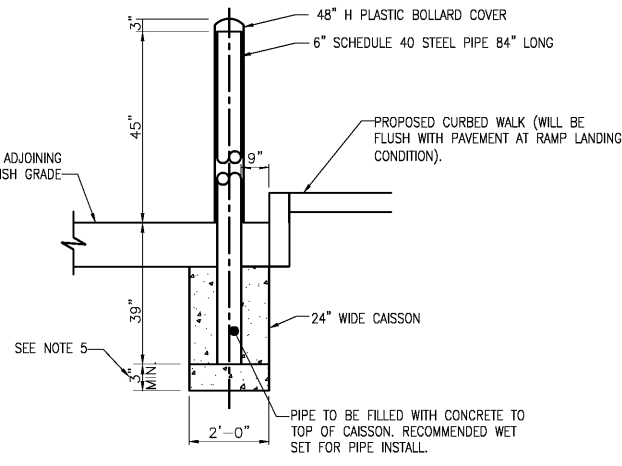
DATE	REVISED PER COUNTY COMMENTS	REV	DATE	DESCRIPTION
10-02-2020				

DATE ISSUED 08-27-20	DRAWN BY GAF	REVIEWED BY GAF	DESIGNED BY GAF
LOCATION: N. HWY 17 AND COVENTRY RD. SHEET TITLE: MISC NOTES & DETAILS SITE ADDRESS: 1401 COVENTRY RD. HOBBS COUNTY, SC STORE NUMBER: 1046736			
SHEET NO.: CDT-10.0			

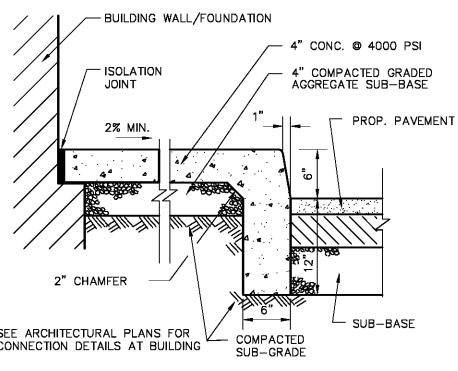


**TYPICAL CONCRETE SIDEWALK DETAIL**  
 NOT TO SCALE

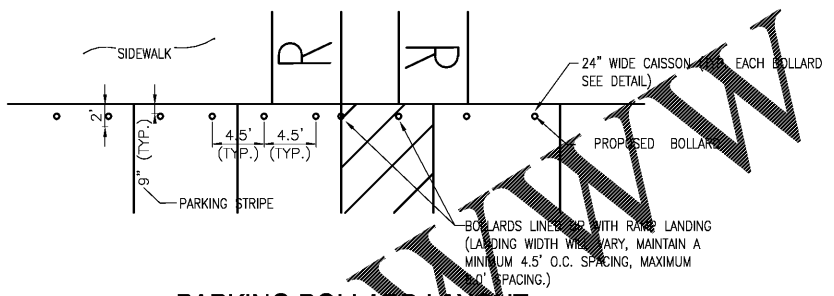
- NOTE:
- CONCRETE MUST BE A MINIMUM 4,000 PSI COMPRESSIVE STRENGTH WITH FIBER MESH.
  - PROVIDE PLASTIC BOLLARD COVER. COVER TO BE IDEALSHIELD (OR APPROVED EQUAL) 1/8" THICK, BROWN (PQ-440C), 6" PIPE FIT, DOME TOP, 48" TALL.
  - DESIGN PARAMETERS:  
 - 20 MPH  
 - 5,000 LB VEHICLE
  - USE SONOTUBE IN SANDY OR OTHER SOILS THAT MIGHT CAVE IN.
  - INCREASE DEPTH OF CAISSON BELOW PIPE TO MEET LOCAL JURISDICTION MIN. FROST DEPTH REQUIREMENT. PIPE CAN STAY AT 39" BELOW PAVEMENT.
  - IT IS THE CONTRACTORS RESPONSIBILITY TO VERIFY NO UTILITY CONFLICTS EXIST WHERE BOLLARDS ARE TO BE INSTALLED, PRIOR TO INSTALLATION.



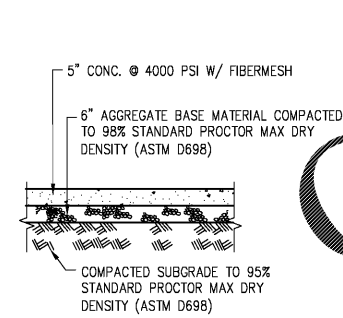
**6" CONCRETE BOLLARD**  
 NOT TO SCALE



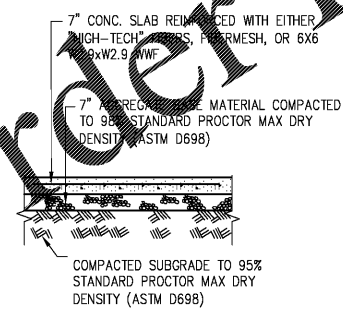
**TYPICAL SIDEWALK AT BUILDING DETAIL**  
 NOT TO SCALE



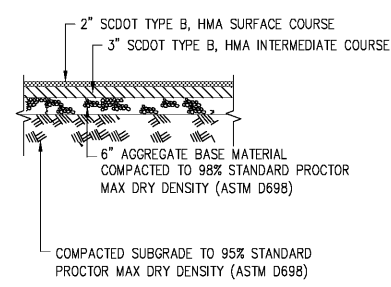
**PARKING BOLLARD LAYOUT**  
 NOT TO SCALE



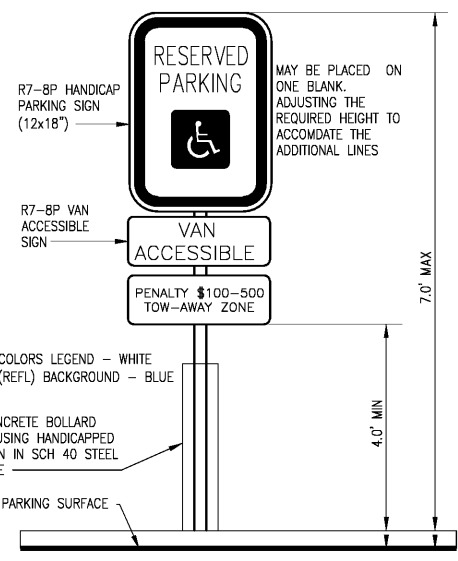
**TYPICAL PLAIN CONCRETE PAVEMENT SECTION**  
 PARKING



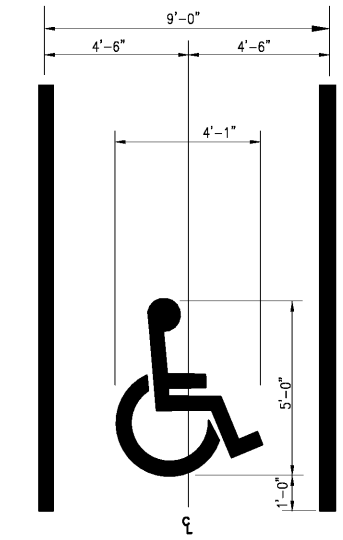
**TYPICAL 7" CONCRETE PAVEMENT SECTION**  
 FOR DUMPSTER APPROACH PAD



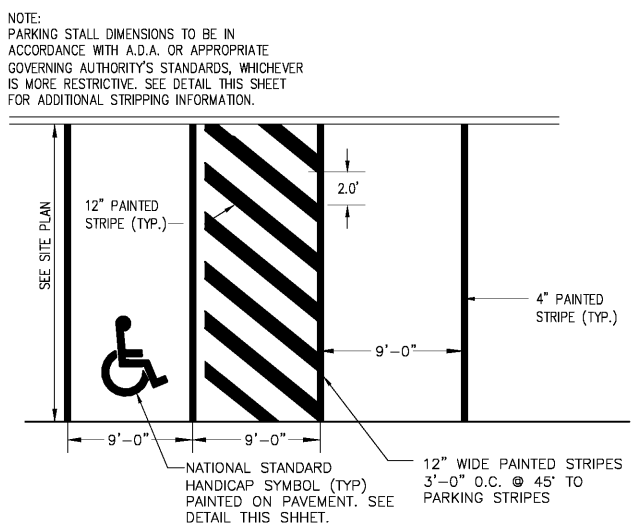
**TYPICAL BITUMINOUS PAVEMENT SECTION**  
 HEAVY DUTY



**VAN ACCESSIBLE HANDICAP SIGN DETAIL**



**SYMBOL STRIPING DETAIL ACCESSIBLE PARKING SYMBOL**



**ACCESSIBLE PARKING**

**ACCESSIBLE PARKING STALL DETAILS**  
 NOT TO SCALE

FILE NAME: P:\6229-Encore Rec\ Ectick\6229-23-Hwy 17 and Coventry\Doc\Surfside Beach SC 12-CDT-10.0 Notes & Details.dwg PLOTTED: Monday, October 05, 2020 - 10:43am LAYOUT NAME: COVER SHEET

Order Plans @

WWW.LDILine.com