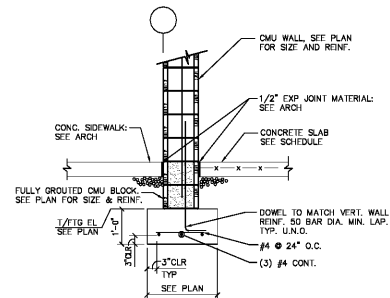
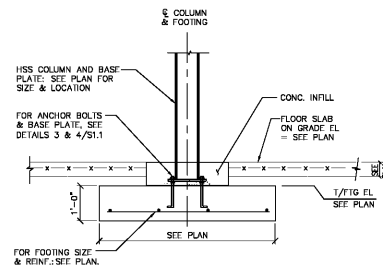


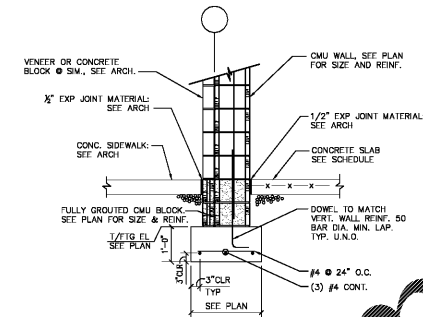
1 SECTION AT OPENING  
S4.1 SCALE: 1/2" = 1'-0"



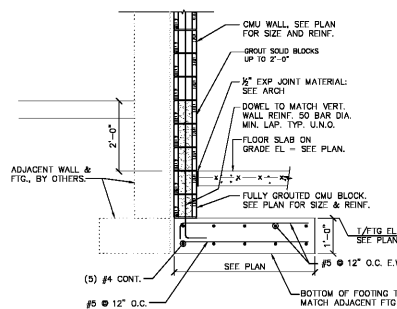
2 SECTION AT CMU WALL  
S4.1 SCALE: 1/2" = 1'-0"



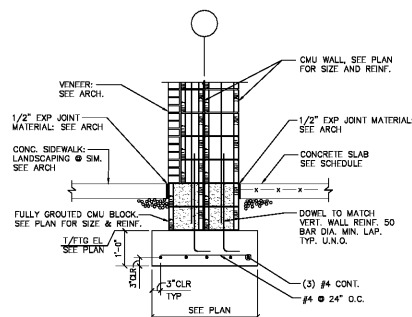
3 SECTION AT INTERIOR COLUMN  
S4.1 SCALE: 1/2" = 1'-0"



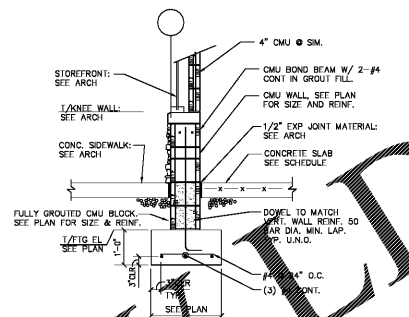
4 SECTION AT EXTERIOR WALL  
S4.1 SCALE: 1/2" = 1'-0"



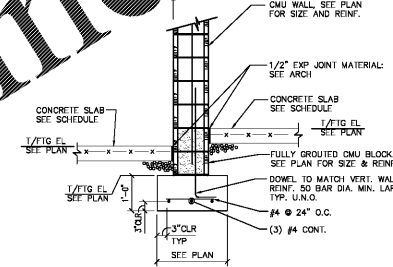
5 SECTION AT PROPERTY WALL  
S4.1 SCALE: 1/2" = 1'-0"



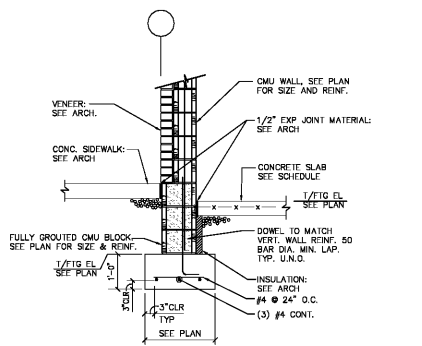
6 SECTION AT EXTERIOR WALL  
S4.1 SCALE: 1/2" = 1'-0"



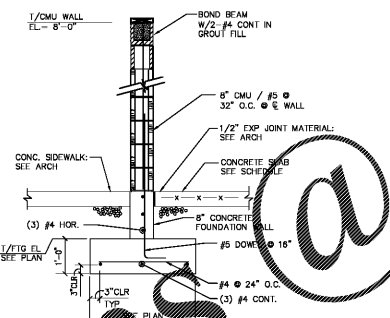
7 SECTION AT KNEE WALL  
S4.1 SCALE: 1/2" = 1'-0"



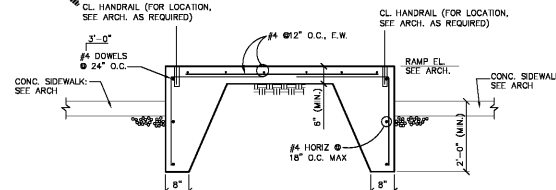
8 SECTION AT CMU WALL  
S4.1 SCALE: 1/2" = 1'-0"



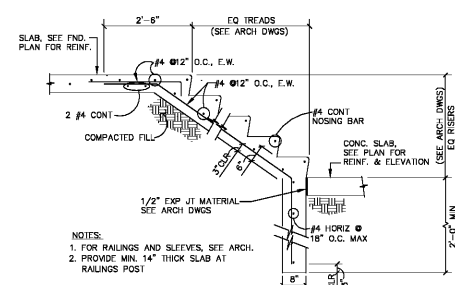
9 SECTION AT CMU WALL  
S4.1 SCALE: 1/2" = 1'-0"



10 SECTION AT DUMPSTER  
S4.1 SCALE: 1/2" = 1'-0"



11 SECTION AT RAMP  
S4.1 SCALE: 1/2" = 1'-0"



12 SECTION AT CONC. STAIRS DETAIL  
S4.1 SCALE: 1/2" = 1'-0"

WWW.LDILine.com

Order Plans @

No.	Description	Date
▲	ISSUED FOR BID AND PERMIT	10/16/20

STRUCTURAL ENGINEER  
**GreenbergFarrow**  
1430 West Peachtree St. NW  
Suite 200  
Atlanta, GA 30309  
T: 847 788 9200

**Salem Gate**  
*Market*  
RETAIL 1B

CONYERS, GEORGIA

FOUNDATION DETAILS

Date	Drawn	Sheet No.
10/16/20	C.Y.	S4.1
Project No.	Rev.	(1)
20.062	M.H.	