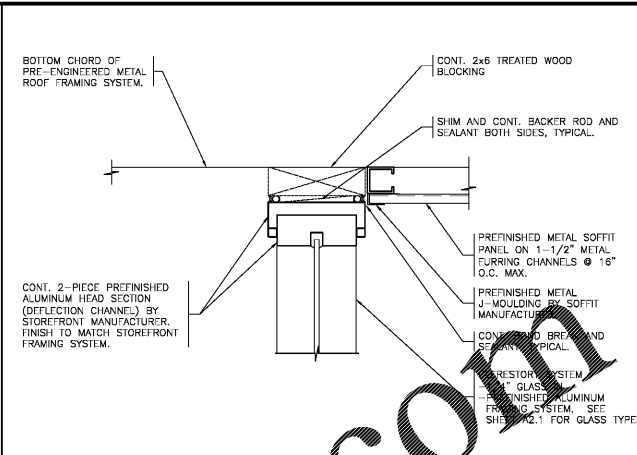
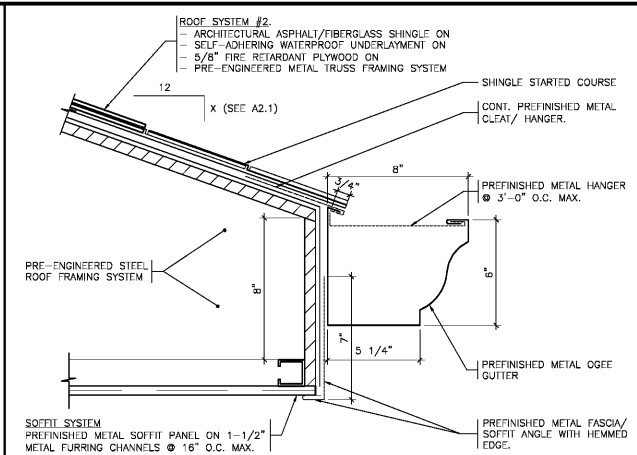


DZA ASSOCIATES, INC.

111 REG. # 184001714 Suite 233N
2025 Butterfield Road Oak Brook, Illinois 60521
Phone: 630-230-1020 www.dzarch.com

© 2020 DZA ASSOCIATES, INC. THE PROJECT SHALL BE DEEMED THE AUTHOR OF THESE DOCUMENTS AND SHALL REMAIN UNDER THE EXCLUSIVE AND OTHER RIGHTS, INCLUDING COPYRIGHT.

Rev. No.	Description	Date
▲	ISSUED FOR BID AND PERMIT	10/16/20



1
1" = 1'-0"

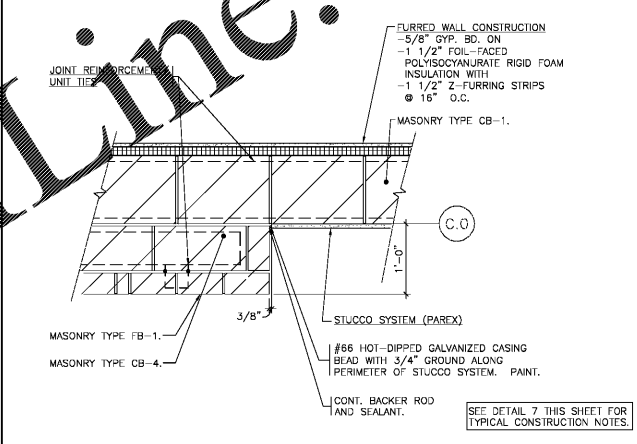
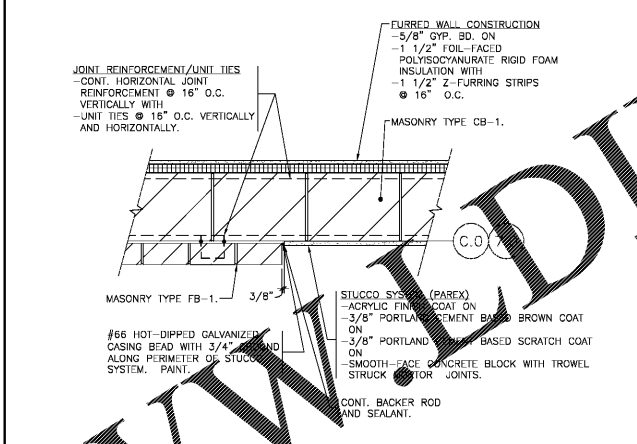
2
1" = 1'-0"

3
1" = 1'-0"

DETAIL

4
1" = 1'-0"

DETAIL



5
3" = 1'-0"

DETAIL

6
3" = 1'-0"

DETAIL

7
1" = 1'-0"

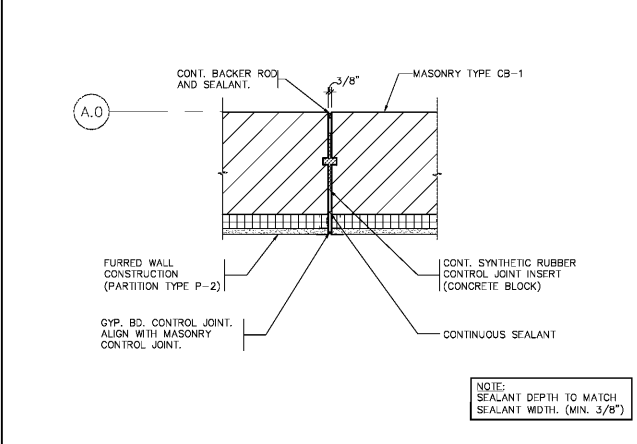
DETAIL

REFER TO SHEET A4.1 FOR MASONRY TYPES.

8
1" = 1'-0"

DETAIL

REFER TO SHEET A4.1 FOR MASONRY TYPES.



9
1" = 1'-0"

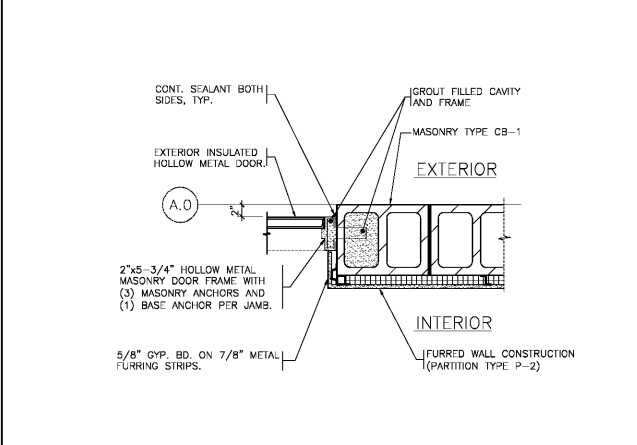
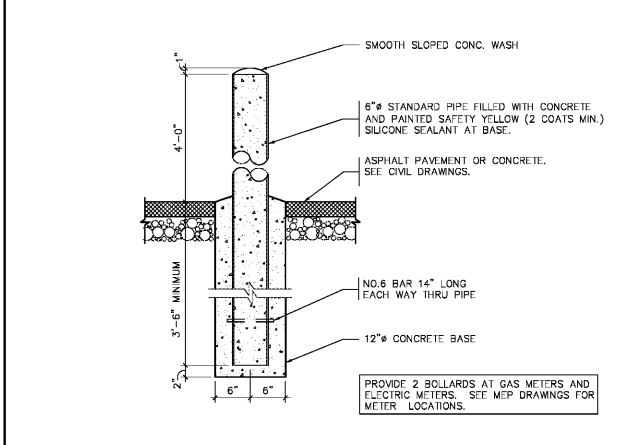
10
1" = 1'-0"

11
1" = 1'-0"

DETAIL

12
1 1/2" = 1'-0"

DETAIL



13
1" = 1'-0"

14
1" = 1'-0"

15
1" = 1'-0"

DETAIL

16
1" = 1'-0"

DETAIL

Order Plans @ WWW.DIline.com

Salem Gate Market

RETAIL 1B

CONYERS, GEORGIA

DETAILS

Date:	10/16/20	Drawn:	U.R.	Sheet No.:	A5.2
Project No.:	20.062	By:	H.Z.		(1)