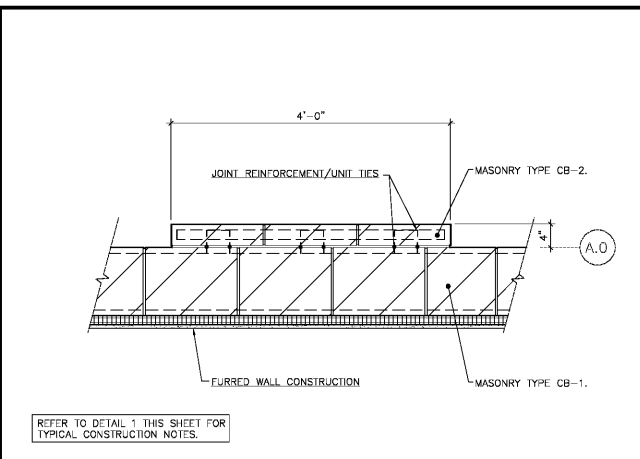
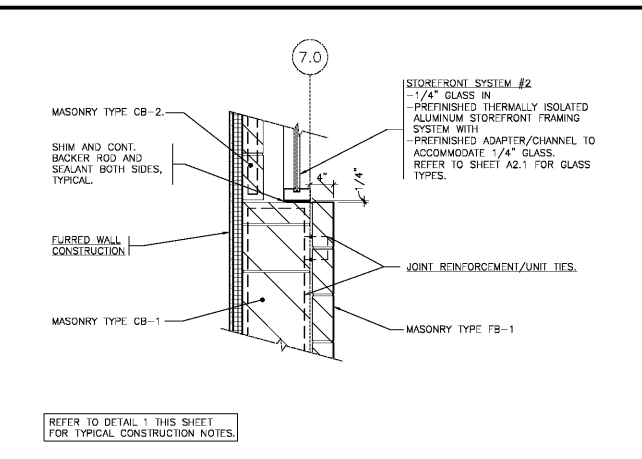


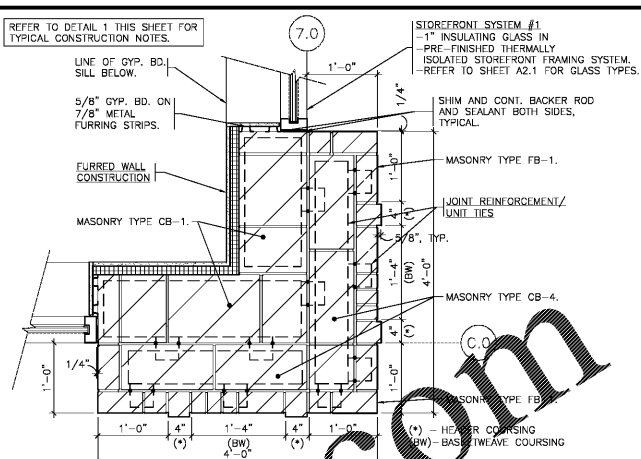
1 DETAIL - HIGH
1" = 1'-0"



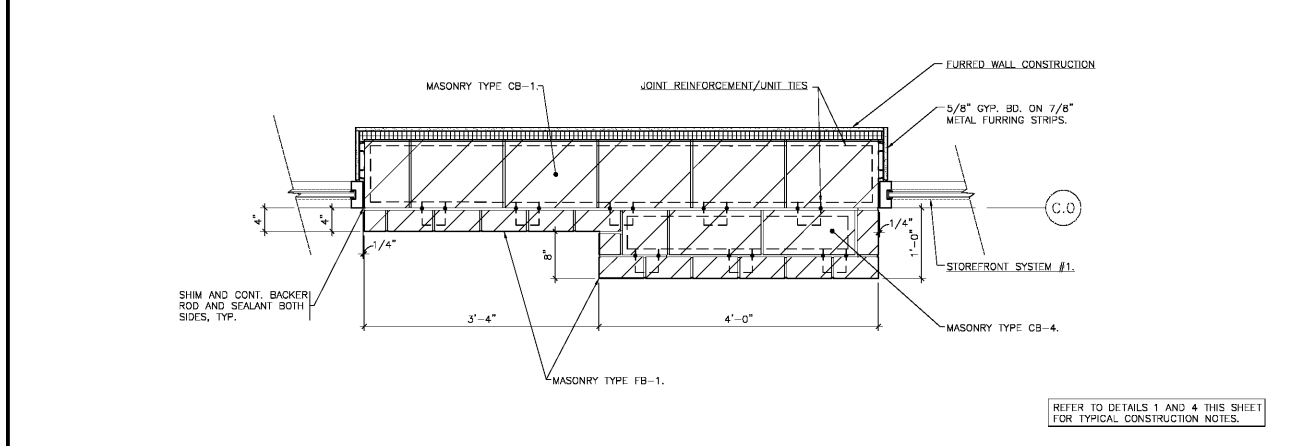
2 DETAIL - HIGH
1" = 1'-0"



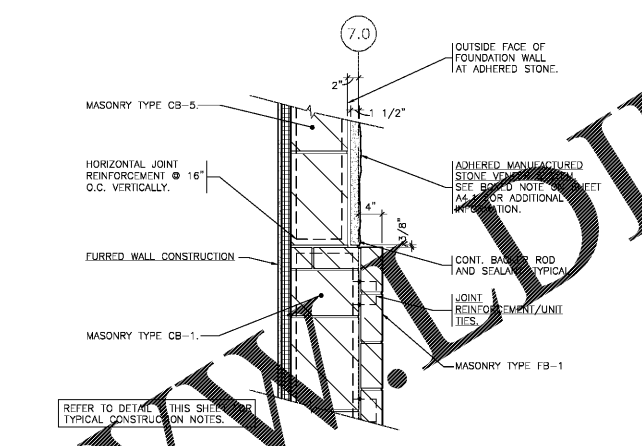
3 DETAIL - HIGH
1" = 1'-0"



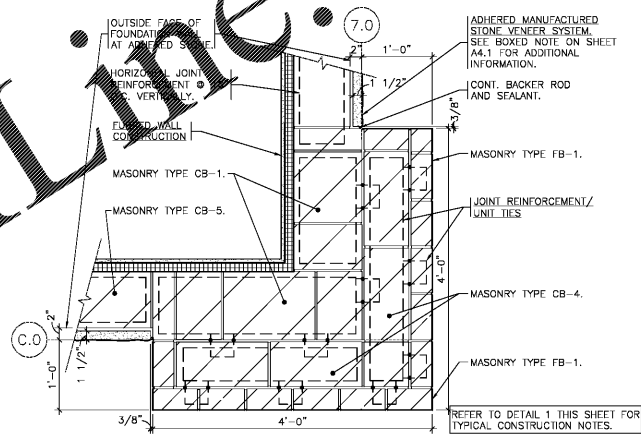
4 DETAIL - HIGH
1" = 1'-0"



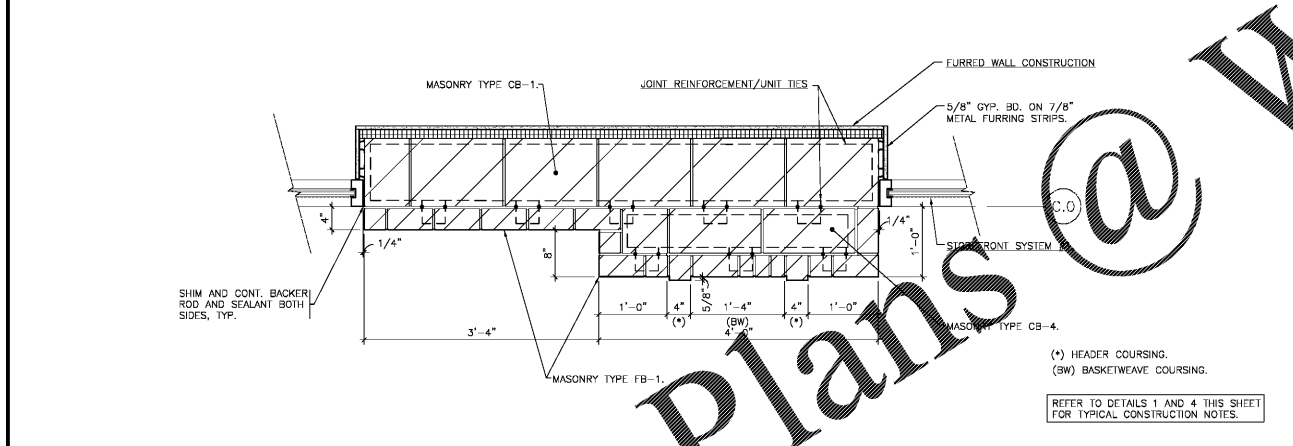
5 DETAIL
1" = 1'-0"



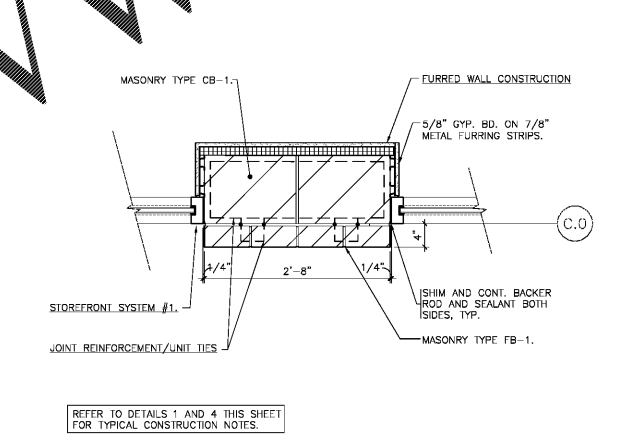
6 DETAIL - LOW
1" = 1'-0"



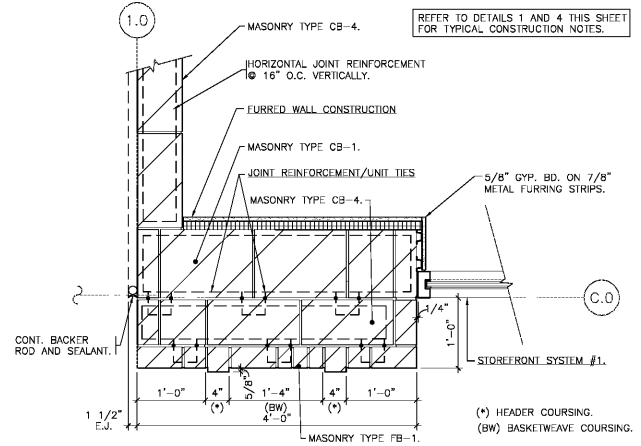
7 DETAIL - LOW
1" = 1'-0"



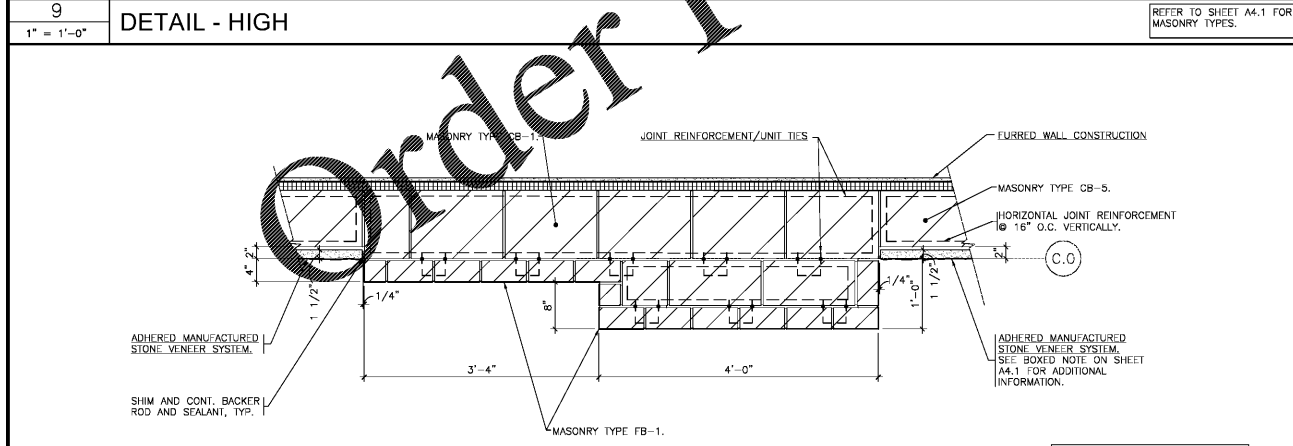
8 DETAIL
1" = 1'-0"



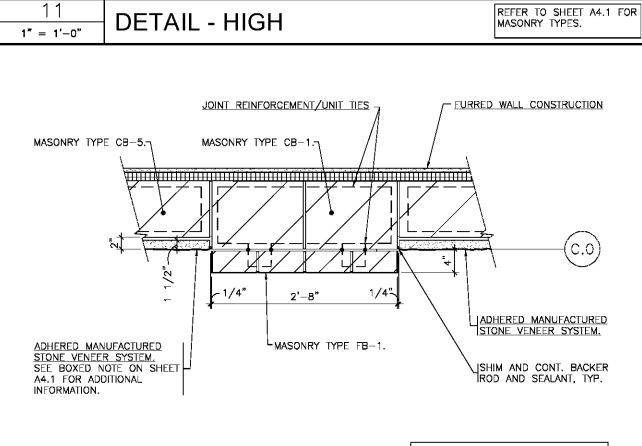
9 DETAIL - LOW
1" = 1'-0"



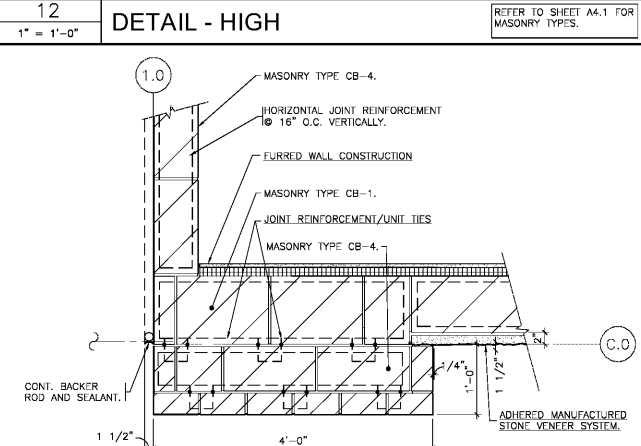
10 DETAIL - LOW
1" = 1'-0"



11 DETAIL - HIGH
1" = 1'-0"



12 DETAIL - HIGH
1" = 1'-0"



13 DETAIL - HIGH
1" = 1'-0"



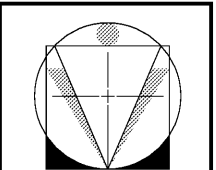
14 DETAIL - LOW
1" = 1'-0"



15 DETAIL - LOW
1" = 1'-0"



16 DETAIL - LOW
1" = 1'-0"



DZA ASSOCIATES, INC.

111 REG. # 184001714
2025 Butterfield Road Suite 233N
Oak Brook, Illinois 60521
Phone: 630-238-1020 www.dzarch.com

© 2020 DZA ASSOCIATES, INC. THE PROJECT SHALL BE DEEMED THE AUTHOR OF THESE DOCUMENTS AND SHALL BE THE PROPERTY OF DZA ASSOCIATES, INC. EXCEPT WHERE SHOWN OTHERWISE.

Rev. No.	Description	Date
1	ISSUED FOR BID AND PERMIT	10/16/20

Order Plans @ WWW.DIPLINE.COM

Salem Gate Market

RETAIL 1B

CONYERS, GEORGIA

DETAILS

Date: 10/16/20
Project No.: 20.062

Drawn: U.R.
By: H.Z.

Sheet No.: A5.1 (1)