

KEYNOTES

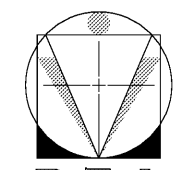
- 1 PREFINISHED METAL COPING.
- 2 FACE BRICK HEADER COURSING.
- 3 DRYSTACK ADHERED MANUFACTURED STONE VENEER.
- 4 FACE BRICK WITH COLORED MORTAR, TYPICAL.
- 5 CAST STONE SILL. ALIGN JOINTS WITH MULLION CENTERLINES UNLESS DIMENSIONED OTHERWISE.
- 6 FACE BRICK ROWLOCK COURSE.
- 7 FACE BRICK SOLDIER COURSE.
- 8 STUCCO WALL COVERING.
- 9 GLASS IN PREFINISHED ALUM. STOREFRONT FRAMING SYSTEM. SEE GLASS SCHEDULE FOR GLASS TYPES.
- 10 FABRIC AWNING WITH OPEN BOTTOM AND OPEN ENDS.
- 11 STUCCO WALL COVERING BEYOND (CONCEALED BY AWNING).
- 12 PREFINISHED ORNAMENTAL LIGHT FIXTURE. 1/2 FIXTURES AT +12'-4" AFF.
- 13 CONT. PREFINISHED METAL GUTTER AND FASCIA. SEE SHEET A3.1 FOR DOWNSPOUT CONDITIONS.
- 14 TERMINATION BAR AND EXPANSION JOINT COVER.
- 15 ARCHITECTURAL TAB SHINGLE.
- 16 PREFINISHED METAL DOWNSPOUT.
- 17 SMOOTH-FACE CONCRETE BLOCK WITH APPLIED INTEGRATED POLYMER COLLOID WATERPROOF COARSE TEXTURED ACRYLIC COATING.
- 18 MASONRY CONTROL JOINT; TYPICAL FOR ALL MARKS (C.J.). SEE DETAIL 27A.2.
- 19 FACE BRICK BASKETWEAVE COURSING.
- 20 EIFS CORNICE MOULDING.
- 21 3 5/8" x 3 5/8" CAST STONE MEDALLION; TYPICAL AT CORNERS AT BASKETWEAVE COURSING.
- 22 7 1/2" x 7 5/8" SEMI-RESSES ENGINEERED CAST STONE MEDALLION.
- 23 HOLLOW METAL LETTER AND NAME, TYP. PAINT.
- 24 15 5/8" x 15 5/8" SEMI-RESSES ENGINEERED CAST STONE MEDALLION.
- 25 STUCCO CONTROL JOINT PAINT (#15 DOUBLE-V HOT-DIPPED GALVANIZED CONTROL JOINT (WCI); 3/4" GROUND).
- 26 EIFS TRIM.
- 27 STUCCO CASING BEAD; PAINT (#66 HOT-DIPPED GALVANIZED).
- 28 3'-0" x 3'-0" LOCKABLE ACCESS DOOR WITH EXTENDED ALUMINUM DRIP CAP ABOVE.
- 29 ROOF MEMBRANE BEYOND.

COLOR SCHEDULE

- A BURGUNDY (BERRIDGE).
- B HARTFORD GREEN (BERRIDGE).
- C #810 HONEY BROWN (REDLAND BRICK - HARMAR PLANT).
- D #840 KHAKI MATT (REDLAND BRICK - HARMAR PLANT).
- E #117 COLONIAL TAN (DRYVIT).
- F #113 AMARILLO WHITE (DRYVIT).
- G #103 NATURAL WHITE (DRYVIT).
- H BURGUNDY (SUNBRELLA FIRESIST).
- J FOREST GREEN (SUNBRELLA FIRESIST).
- K CARMEL MOUNTAIN (PROLEDGE BY CORONADO); ALTERNATE - CHIBLUS (PROLEDGE BY CORONADO)
- L BUFF.
- M MAX DEF MOIRE: BLACK (LANDMARK PRO BY CERTAINTED CORPORATION).
- N 07SM-079-IV; LACE - COASTAL IVORY (PINEAPPLE GROVE DESIGNS).
- P MATTE BLACK (BERRIDGE).
- Q 16SM-079-IV; LACE - COASTAL IVORY (PINEAPPLE GROVE DESIGNS)

GLASS SCHEDULE

MARK	DESCRIPTION
①	1" INSULATING LOW-E TEMPERED GLASS; VE1-42 (VIRACON).
②	1/4" TEMPERED GLASS WITH CERAMIC FRIT ON SURFACE #2; V933 WARM GRAY (VIRACON).
③	1/4" HEAT-STRENGTHENED GLASS WITH CERAMIC FRIT ON SURFACE #2; V933 WARM GRAY (VIRACON).



DZA ASSOCIATES, INC.

7025 Butterfield Road Suite 233N  
Oak Brook, Illinois 60521  
Phone: 630-238-1020 www.dzarch.com

© 2009 DZA ASSOCIATES, INC. THE PROJECT SHALL BE DEEMED THE AUTHOR OF THESE DOCUMENTS AND SHALL BE THE SOLE OWNER AND EXCLUSIVE AND OTHER RIGHTS, INCLUDING COPYRIGHT.

Rev. No.	Description	Date
▲	ISSUED FOR BID AND PERMIT	10/16/20

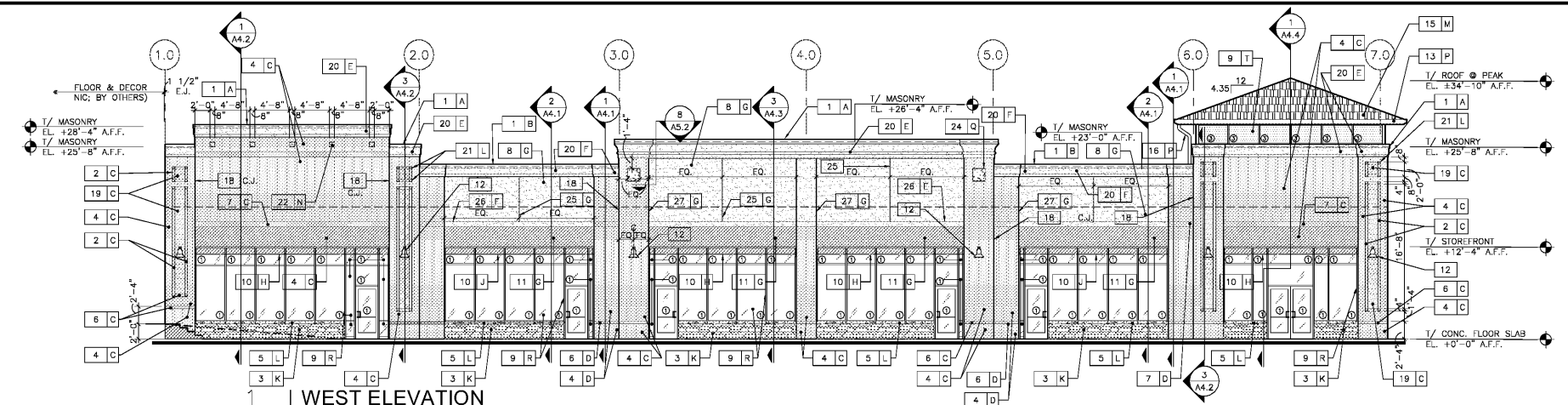
Salem Gate Market

RETAIL 1B

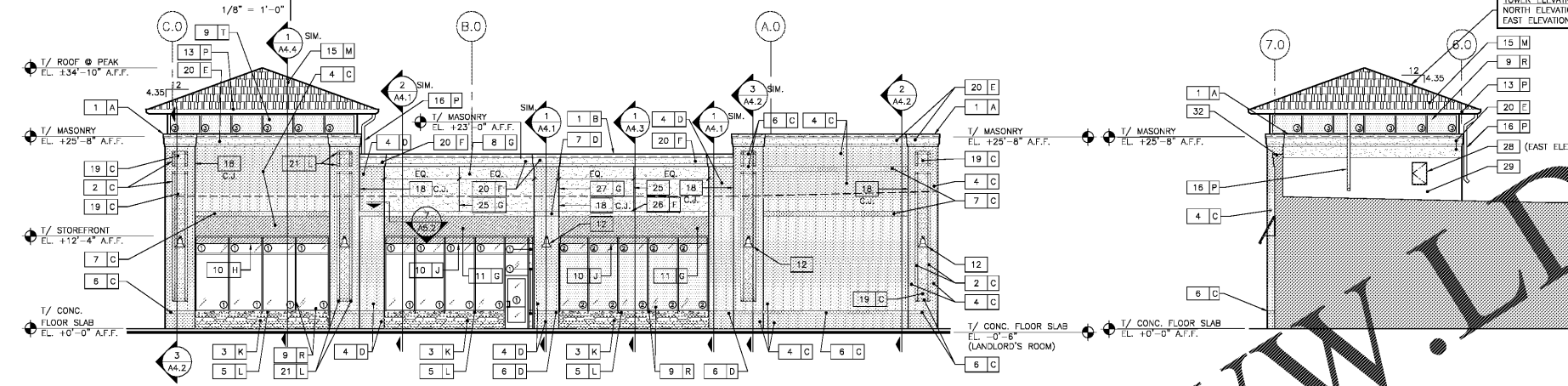
CONYERS, GEORGIA

EXTERIOR ELEVATIONS

Date: 10/16/20	Drawn: L.P.	Sheet No.: A2.1
Project No.: 20.062	By: H.Z.	(1)

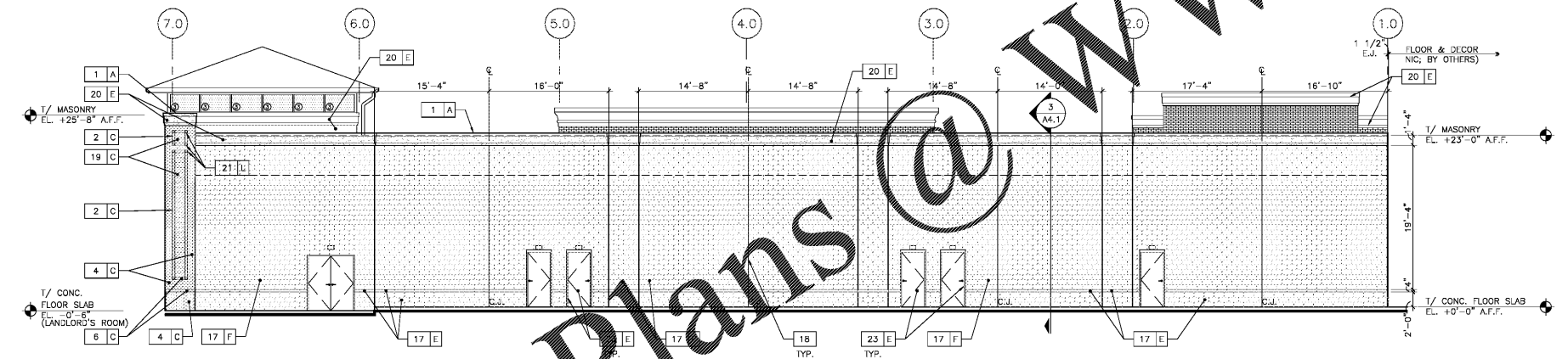


WEST ELEVATION

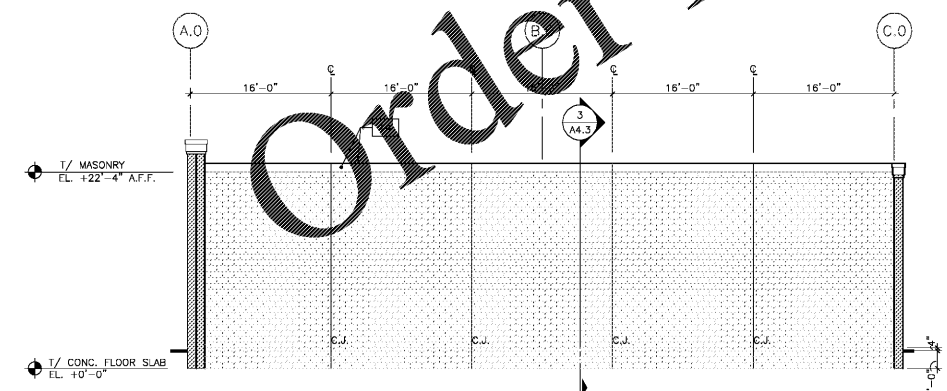


SOUTH ELEVATION

TOWER ELEVATION (EAST)



EAST ELEVATION



NORTH ELEVATION

Order Plans @ WWW.LDLINE.COM