

D-Z-A ASSOCIATES, INC.

2625 Butterfield Road, Suite 233N, Oak Brook, Illinois 60523, Phone: 630-520-1020, www.dzarc.com

© 2019 D-Z-A ASSOCIATES, INC. THE ARCHITECT SHALL BE DEEMED THE AUTHOR OF THESE DOCUMENTS AND SHALL BE RESPONSIBLE FOR REVISIONS AND OTHER MATTERS, INCLUDING EQUIPMENT.

Table with 3 columns: No., Description, Date. Includes entries for 'ISSUED FOR BID AND PERMIT' and 'RE-ISSUED FOR BID AND PERMIT'.

PANEL SCHEDULE for Panel H. Table with columns: CIRCUIT DESCRIPTION, LOAD VA, CKT BKR, PH, CIR #, P, CIR #, P, CKT VA, CIRCUIT DESCRIPTION. Includes items like SALES LIGHTING, SALES LIGHTING, SALES LIGHTING, etc.

LOAD SUMMARY: CONNECTED FEEDER / SERVICE CALCULATION. Includes sections for PRIMARY FEEDER INPUT DATA and SECONDARY FEEDER INPUT DATA. Includes calculations for Lighting, Motors, Recept, etc.

PANEL SCHEDULE for Panel L. Table with columns: CIRCUIT DESCRIPTION, LOAD VA, CKT BKR, PH, CIR #, P, CIR #, P, CKT VA, CIRCUIT DESCRIPTION. Includes items like SALES LIGHTING, SALES LIGHTING, SALES LIGHTING, etc.

LOAD SUMMARY: CONNECTED FEEDER / SERVICE CALCULATION. Includes sections for PRIMARY FEEDER INPUT DATA and SECONDARY FEEDER INPUT DATA. Includes calculations for Lighting, Motors, Recept, etc.

PANEL SCHEDULE for Panel L1. Table with columns: CIRCUIT DESCRIPTION, LOAD VA, CKT BKR, PH, CIR #, P, CIR #, P, CKT VA, CIRCUIT DESCRIPTION. Includes items like SALES LIGHTING, SALES LIGHTING, SALES LIGHTING, etc.

LOAD SUMMARY: CONNECTED FEEDER / SERVICE CALCULATION. Includes sections for PRIMARY FEEDER INPUT DATA and SECONDARY FEEDER INPUT DATA. Includes calculations for Lighting, Motors, Recept, etc.

PANEL SCHEDULE for Panel E. Table with columns: CIRCUIT DESCRIPTION, LOAD VA, CKT BKR, PH, CIR #, P, CIR #, P, CKT VA, CIRCUIT DESCRIPTION. Includes items like SALES FLOOR LIGHTING, SALES FLOOR LIGHTING, SALES FLOOR LIGHTING, etc.

LOAD SUMMARY: CONNECTED FEEDER / SERVICE CALCULATION. Includes sections for PRIMARY FEEDER INPUT DATA and SECONDARY FEEDER INPUT DATA. Includes calculations for Lighting, Motors, Recept, etc.

NOTE TO BIDDERS/CONTRACTORS: THESE DRAWINGS WERE PREPARED AS ACCURATELY AS POSSIBLE. IT SHALL BE THE RESPONSIBILITY OF THE CONTRACTOR TO FIELD VERIFY ALL EXISTING CONDITIONS PRIOR TO THE BIDDING AND COMMENCEMENT OF THE PROJECT. CLAIMS FOR EXTRAS RESULTING FROM LACK OF COMPLIANCE WILL BE DENIED.

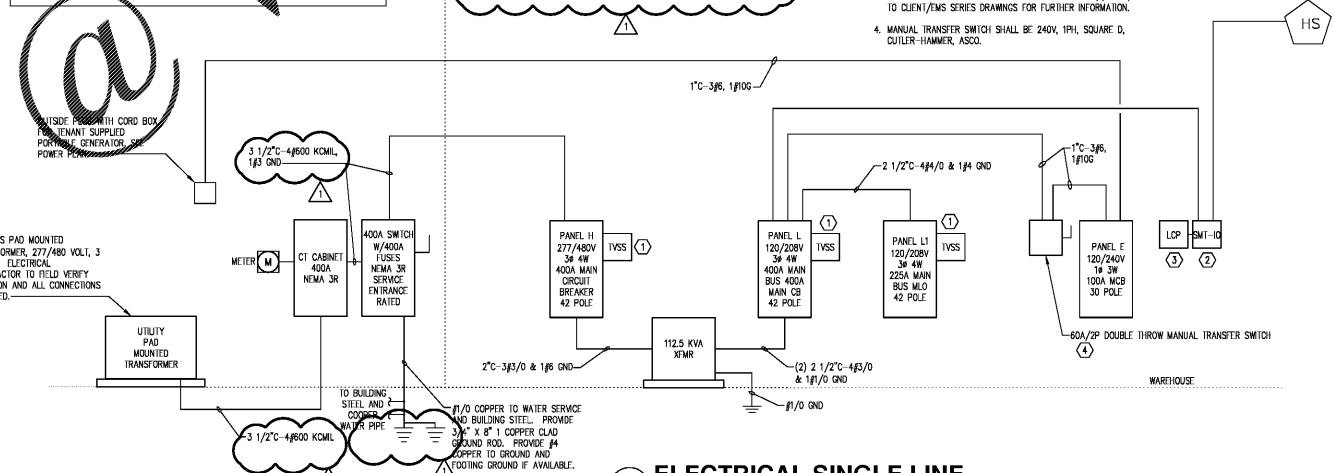
NOTE: ELECTRICAL SINGLE LINE DIAGRAM IS DRAWN FOR INFORMATION AND IS NOT DRAWN TO SCALE. E.C. TO NOTIFY DESIGNER IMMEDIATELY WHEN INSTALLING SINGLE LINE PANELS LEFT-TO-RIGHT.

NOTES

- 1. CONTRACTOR SHALL PERFORM SHORT CIRCUIT CALCULATION TO MAKE SURE PROVIDED CALCULATION IS CORRECT BASED ON INFORMATION PROVIDED BY THE CLIENT.
2. CONTRACTOR SHALL PROVIDE ARC FLASH LABEL FOR EACH ELECTRICAL PANEL BASED ON THE AVAILABLE FAULT CURRENT.
3. NO PANEL BOARD SHALL BE PROCURED BEFORE THE SHORT CIRCUIT CALCULATION IS APPROVED.

SINGLE LINE KEY NOTES

- 1. E.C. TO PROVIDE SQUARE D IVYS UNIT. SIZE AND TYPE APPROPRIATE TO PANEL.
2. SMT-10 PANEL PROVIDED/INSTALLED BY OMS MECHANICAL. E.C. TO EXTEND ELECTRIC CIRCUIT, CHASE NIPPLE BETWEEN LOP & SMT-10, AND PROVIDE ALL LINE/LOAD WIRING & CONNECTIONS.
3. LIGHTING CONTROL PANEL 'LOP' PROVIDED BY OMS MECHANICAL, MOUNTED AND INSTALLED BY E.C. E.C. TO PROVIDE (1) 120V/ REFER TO CLIENT/EMS SERIES DRAWINGS FOR FURTHER INFORMATION.
4. MANUAL TRANSFER SWITCH SHALL BE 240V, 1PH, SQUARE D, CUTLER-HAMMER, ASCO.



1 ELECTRICAL SINGLE LINE SCALE: NONE

Order Plans

Salem Gate Market

NORTHERN TOOL + EQUIPMENT



ANCHOR 2B 1454 OLD SALEM ROAD CONYERS, GEORGIA

PANEL SCHEDULE & RISER DIAGRAM

Table with 3 columns: Date, Drawn by, Sheet No. Includes values: 03/29/19, AK, E-300.

RAY Group Consulting Engineers, Inc. 1877 Powers Ferry Road, Building 80, Suite 100, Atlanta, Georgia 30309, Tel: (770) 963-1449, Fax: (770) 963-4023