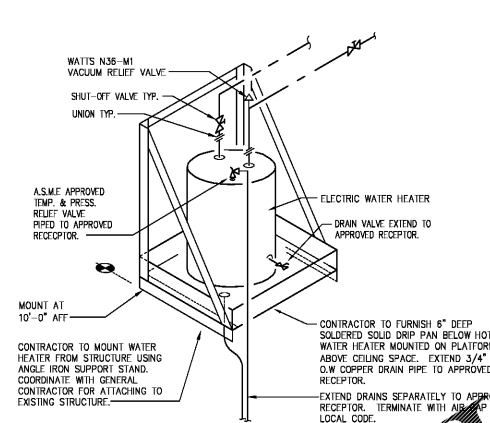


| PLUMBING FIXTURE AND CONNECTION SCHEDULE | | | | | | | | | |
|--|---------------------------|--|------|---------------------|--------|--------|--------|------|--|
| FIXTURE NO. | FIXTURE TYPE | FIXTURE DESCRIPTION | NOTE | RIM MOUNTING HEIGHT | WASTE | VENT | SUPPLY | | |
| | | | | | | | CW | HW | |
| WC | WATER CLOSET, ADA | FIXTURE: AMERICAN STANDARD INC. MADERA 5043.001, VITREOUS CHINA, FLOOR SET WATER CLOSET, FLUSH VALVE, ELONGATED BOWL VALVE. SLOAN ROYAL 111-1.26 TP, EXPOSED WATER CLOSET FLUSHMETER WITH A.D.A. COMPLIANT HANDLE AND TRAP PRIMER, 1.29 GPF. ACCESSORIES: BEIMS 1955SS1. WHITE, OPEN FRONT LESS COVER, WITH SELF-SUSTAINING CHECK HINGE. | - | 17" | 4" | 2" | 1" | - | |
| LAV | LAVATORY ADA | FIXTURE: AMERICAN STANDARD, INC. "LUCERNE" 6556.421, WALL HUNG, VITREOUS CHINA LAVATORY, SINGLE HOLE, CONCEALED ARMS SUPPORT. FAUCET: DELTA 581LF-HDF, SINGLE HOLE CONNECTION, SINGLE LEVER HANDLE CONTROL, 1" SPOUL, 0.5 GPM FLOW AERATOR. STRAINER: OPEN GRID STRAINER WITH CHROME PLATED TAILPIECE. ACCESSORIES: PROVIDE MOLDED COVERING FOR WATER AND WASTE PIPING. BROCAR PRODUCTS INC. "TRAPWRAP" OR TRIEBRO "HANDLAV GUARD". FLOOR MOUNT, CONCEALED ARMS FIXTURE CARRIER. | - | 34" | 1-1/2" | 1-1/2" | 1/2" | 1/2" | |
| UR | URINAL ADA | FIXTURE: AMERICAN STANDARD, INC. "WASHBROOK" 6596.001, VITREOUS CHINA, 3/4" TOP SPOU, WASHOUT FLUSH ACTION. VALVE: SLOAN ROYAL 198-6.5X0, EXPOSED URINAL FLUSHMETER WITH ADJUSTABLE GROUND JOINT TAPPIECE, 0.5 GPF. | - | 17" | 2" | 1-1/2" | 3/4" | - | |
| SK | SINK ADA | FIXTURE: ELKAY LRA29221, STAINLESS STEEL, SINGLE COMPARTMENT SINK, 5-1/2" DEEP. FAUCET: DELTA 120LF, THREE HOLE CONNECTION ON 8" CENTERS, SINGLE LEVER HANDLE CONTROL, 8" SPOUL, 1.5 GPM FLOW AERATOR. STRAINER: ELKAY LK-99 BASKET STRAINER. ACCESSORIES: PROVIDE MOLDED COVERING FOR WATER AND WASTE PIPING. BROCAR PRODUCTS INC. "TRAPWRAP" OR TRIEBRO "HANDLAV GUARD". | - | - | 1-1/2" | 1-1/2" | 1/2" | 1/2" | |
| MB | MOP BASIN | FIXTURE: CRANE PLUMBING/FIXT PRODUCTS MS9-2424, FLUSH TO WALL, FLOOR SET MOLDED STONE, 24" X 24" X 10" HIGH BASIN. ZURN Z1996-24, MOLDED HIGH DENSITY COMPOSITE BASIN, PVC DRAIN BODY, STAINLESS STEEL STRAINER. FAUCET: CHICAGO VAL. #97 CP FAUCET, CHROME FINISH, NO. 99 HANDLE, 8" CENTERS, VACUUM BREAKER, 3/4" HOSE OUTLET, PAUL HOOK, INTERNAL STOPS. ACCESSORIES: MOP BRACKET, 24" HOSE WITH 3/4" CHROME COUPLING, STAINLESS STEEL BUMPER GUARD. | - | - | 3" | 1-1/2" | 1/2" | 1/2" | |
| EW | WATER COOLER | FIXTURE: ELKAY VRC1LSC, STAINLESS STEEL, DUAL LEVEL, VANDAL RESISTANT, BARRIER FREE. | 1 | - | 1-1/2" | 1-1/2" | 1/2" | - | |
| FPND | FROST PROOF HOSE BIB | FIXTURE: WOODFORD MODEL 47, AUTOMATIC DRAINING WITH ASSE 1052 APPROVED NIDEL MODEL 5084 DOUBLE CHECK BACKFLOW PREVENTER, 3/4" INLET AND OULET, LOOSE KEY OPERATION. | - | - | - | - | 3/4" | - | |
| TMY | THERMOSTATIC MIXING VALVE | FIXTURE: LAWLOR 570 THERMOSTATIC MIXING VALVE, ASSE 1017/1070 UNDER COUNTER THERMOSTATIC MIXING VALVE TO SERVE HAND SINKS, SET TEMPERATURE TO 120 DEG F. | 3 | - | - | - | - | - | |
| WHA | WATER HAMMER ARRESTOR | FIXTURE: WILKINS 1250XL-8 WATER HAMMER ARRESTOR. | 3 | - | - | - | - | - | |
| TP | TRAP PRIMER | FIXTURE: JORAN 88250 TRAP PRIMER WITH INTEGRAL VACUUM BREAKER. | 3 | - | - | - | - | - | |
| FD | FLOOR DRAIN | FIXTURE: ZURN Z4150, ROUND FLOOR DRAIN WITH CAST IRON BODY, BOTTOM OULET, BACKWATER VALVE AND TRAP PRIMER CONNECTION, POLISHED NICKEL BRONZE GRATE. | 2 | - | - | - | - | - | |
| FCO | CLEANOUT | FIXTURE: ZURN Z1460, ADJUSTABLE FLOOR CLEANOUT, CAST IRON BODY WITH GAS AND WATERTIGHT ABS TAPERED TREAD PLUG AND ROUND POLISHED NICKEL BRONZE LIGHT DUTY TOP. | 2 | - | - | - | - | - | |

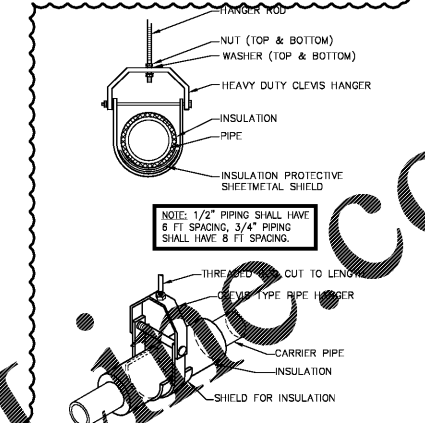
NOTES:
1. REFER TO ARCHITECTURAL ELEVATIONS FOR MOUNTING HEIGHTS.
2. REFER TO PLANS FOR SIZE.
3. MOUNT IN ACCESSIBLE LOCATION - FIELD COORDINATE.

| WATER HEATER - ELECTRIC SCHEDULE | | | | | | | | | | | | |
|----------------------------------|-------------------|--------------|----------|---------------------|---|----------|----------|--------------------|---------------|------------------|--------------|-------|
| MARK | LOCATION | MANUFACTURER | MODEL NO | TANK CAPACITY (GAL) | HEATER DATA - NON-SIMULTANEOUS RECOVERY (GPM) | EW1 (°F) | LWT (°F) | ELEMENTS (NO/WATS) | VOLTAGE/PHASE | TANK DIM (CH/HT) | WEIGHT (LBS) | NOTES |
| EW-1.2 | PREP & BREAK ROOM | A.O. SMITH | DEL-20 | 20 | 17 | 50 | 110 | 1/2500 | 200/1 | 22x22 | 124 | 1, 2 |

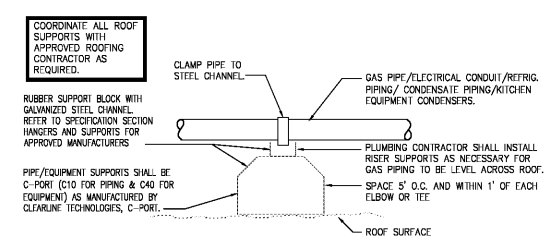
NOTES:
1. GLASS-LINED TANK.
2. PROVIDE TRAP RELIEF VALVE, EXTRUDED HIGH DENSITY ANODE ROD, ELECTRICAL JUNCTION BOX WITH DUTY TERMINAL BLOCK.



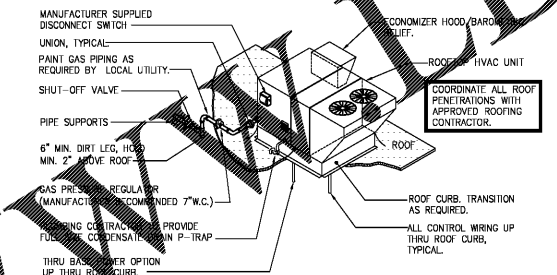
1 WATER HEATER DETAIL
NO SCALE



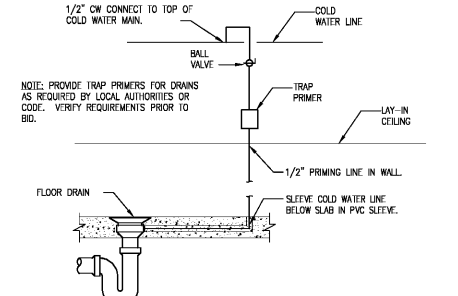
2 PIPE HANGER AND SUPPORT DETAIL
NO SCALE



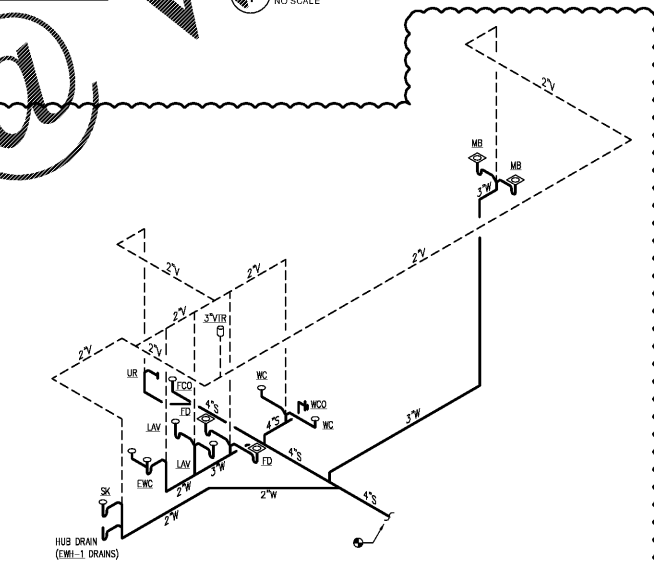
3 ROOF PIPE/EQUIPMENT SUPPORT DETAIL
NO SCALE



4 ROFTOP UNIT PIPING DETAIL
NO SCALE



5 TRAP PRIMER DETAIL
NO SCALE



6 WASTE AND VENT RISER
NO SCALE

Order Plans @

D·Z·A ASSOCIATES, INC.
11. RES. # 104-001714
2625 Butterfield Road Suite 233N
Oak Brook, Illinois 60523
Phone: 630-530-1020 www.dzarc.com

| No. | Description | Date |
|-----|------------------------------|----------|
| ▲ | ISSUED FOR BID AND PERMIT | 03/29/19 |
| ▲ | ISSUED FOR BID | 05/30/19 |
| ▲ | RE-ISSUED FOR BID AND PERMIT | 10/16/20 |

Salem Gate Market
NORTHERN TOOL + EQUIPMENT
ANCHOR 2B
1454 OLD SALEM ROAD
CONYERS, GEORGIA

PLUMBING DETAILS, SCHEDULES, AND RISER DIAGRAMS

GRAY Gray Group Consulting Engineers, Inc.
1877 Powers Ferry Road
Building 80, Suite 100
Atlanta, Georgia 30339
Tel. (770) 963-1448
Fax. (770) 963-4023

| | | | | | |
|--------------|----------|-----------|-----|------------|-------|
| Date: | 03/29/19 | Drawn by: | MA | Sheet No.: | P-300 |
| Project No.: | 18.112 | Rev. by: | KSM | | |