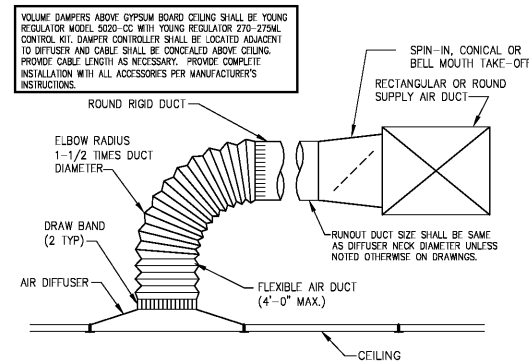
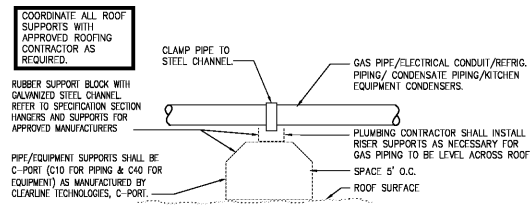


1 DUCT MOUNTED SUPPLY AIR GRILLE DETAIL
NO SCALE

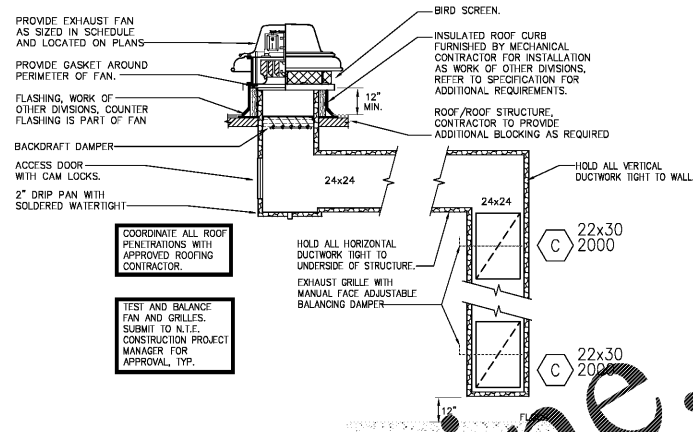
ALL FLEX DUCT MUST BE INSTALLED PER THE ADC (AIR DIFFUSION COUNCIL) INSTALLATION STANDARDS (MOST CURRENT EDITION), INCLUDING A BEND RADIUS OF ONE DUCT DIAMETER OR GREATER, PROPERLY SEALED AND SECURED WITH 2 INCH BEADED COLLARS, PROPERLY SUPPORTED AND FULLY EXTENDED DUCT. FAN CALCULATIONS FOR THIS PROJECT WERE SIZED FOR 4 FOOT MAXIMUM FLEX DUCT INSTALLED PER THE ADC INSTALLATION STANDARDS. FLEX DUCT SHOWN ON PLANS IS FOR SCHEMATIC PURPOSES ONLY AND SHALL IN NO INSTANCE EXCEED 4 FOOT.



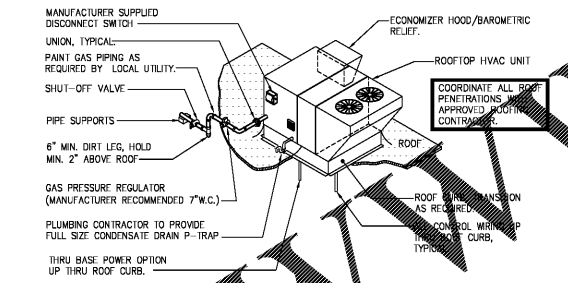
4 SUPPLY DIFFUSER DETAIL
NO SCALE



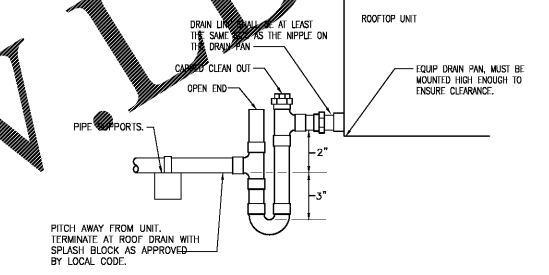
3 ROOF PIPE/EQUIPMENT SUPPORT DETAIL
NO SCALE



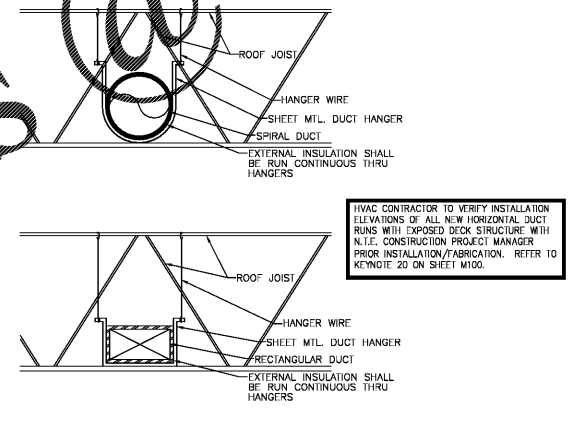
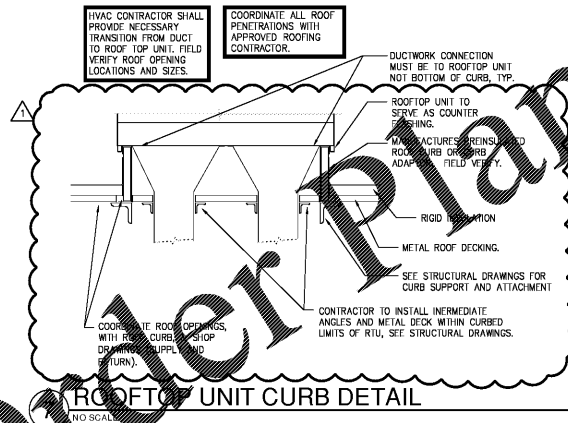
6 CONDENSATE DRAIN P-TRAP DETAIL
NO SCALE



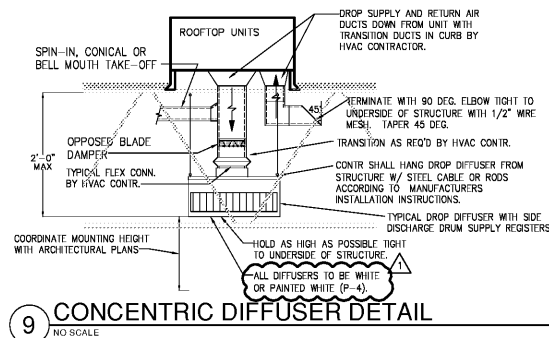
5 ROOFTOP UNIT PIPING DETAIL
NO SCALE



9 CONCENTRIC DIFFUSER DETAIL
NO SCALE



8 DUCT HANGING DETAILS
NO SCALE



8 ROOFTOP UNIT CURB DETAIL
NO SCALE



© 2018 D-Z-A ASSOCIATES, INC. THE ARCHITECT SHALL BE DEEMED THE AUTHOR OF THESE DOCUMENTS AND SHALL BE RESPONSIBLE FOR ANY REVISIONS AND OTHER MATTERS INCLUDING COPYRIGHTS.

No.	Description	Date
▲	ISSUED FOR BID AND PERMIT	03/29/19
▲	ISSUED FOR BID	05/30/19
▲	RE-ISSUED FOR BID AND PERMIT	10/16/20

Salem Gate Market
NORTHERN TOOL + EQUIPMENT

ANCHOR 2B
1454 OLD SALEM ROAD
CONYERS, GEORGIA

HVAC DETAILS

Date:	03/29/19	Drawn by:	SL	Sheet No.:	M-200
Project No.:	18.112	Checked by:	KSM		

CRAY Ray Group Consulting Engineers, Inc.
1875 Powers Ferry Road
Building 80, Suite 100
Atlanta, Georgia 30339
Tel. (770) 953-1448
Fax. (770) 953-8023