

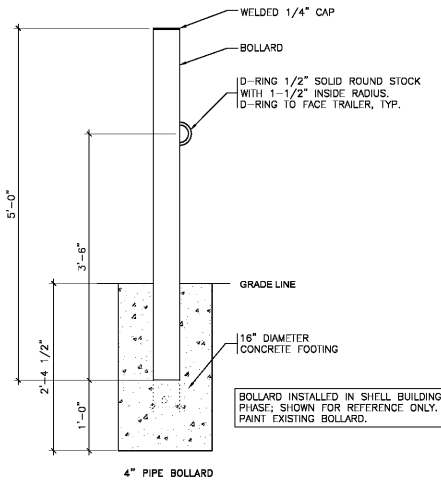
DZA ASSOCIATES, INC.

1635 Butterfield Road Suite 233N Oak Brook, Illinois 60523 Phone: 630-230-1620 www.dzarc.com

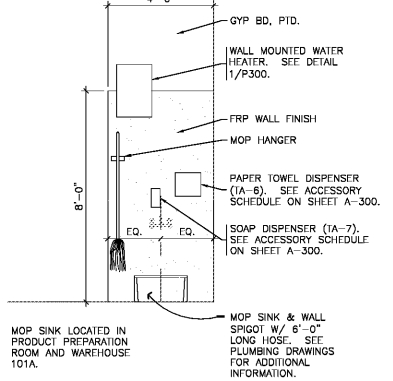
© 2019 DZA ASSOCIATES, INC. THE ARCHITECT SHALL BE DEEMED THE AUTHOR OF THESE DOCUMENTS AND SHALL BE HELD RESPONSIBLE FOR ALL DESIGN LIFE, SAFETY AND OTHER WORK, INCLUDING CORRECTION.

Rev. No.	Description	Date
▲	ISSUED FOR BID AND PERMIT	03/29/19
▲	ISSUED FOR BID	05/30/19
▲	RESUBMITTED FOR BID AND PERMIT	10/16/20

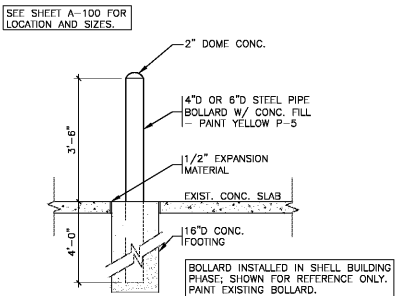
NOTE: PAINT BOLLARDS P-5



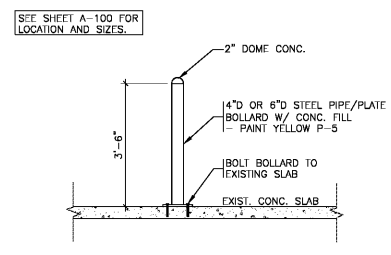
1 PERMANENT TRAILER BOLLARD 1" = 1'-0"



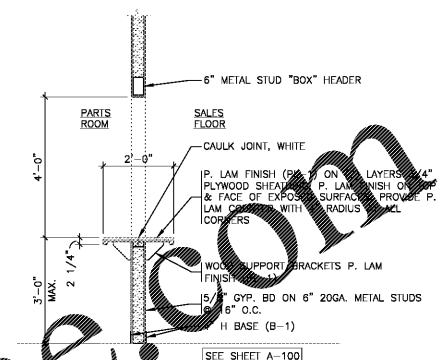
2 MOP SINK ELEVATION 3/8" = 1'-0"



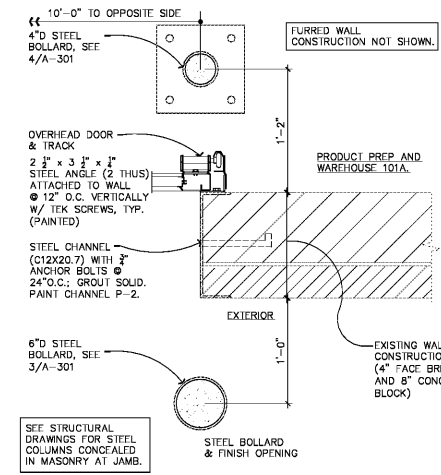
3 STEEL PIPE BOLLARD DETAIL 1/2" = 1'-0"



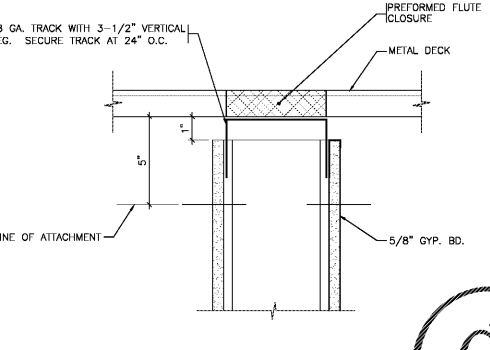
4 BOLT DOWN STEEL BOLLARD 1/2" = 1'-0"



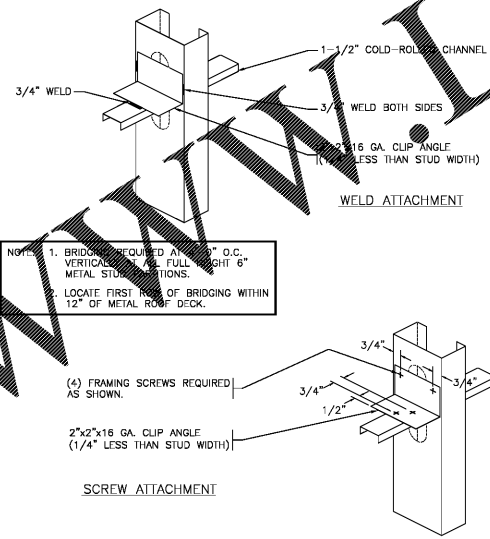
5 COUNTER SECTION 1/2" = 1'-0"



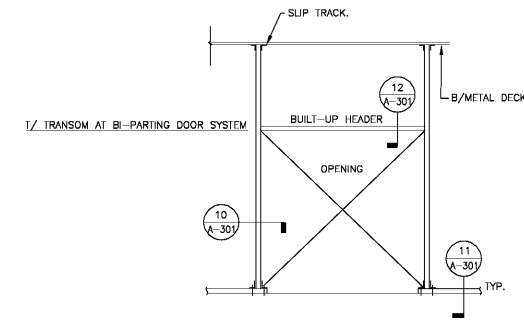
6 O.H. DOOR JAMB DETAIL 1 1/2" = 1'-0"



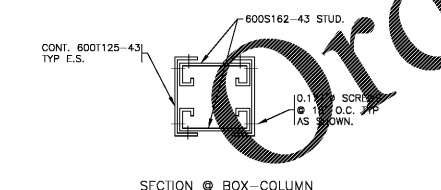
7 DEFLECTION DETAIL NOT TO SCALE



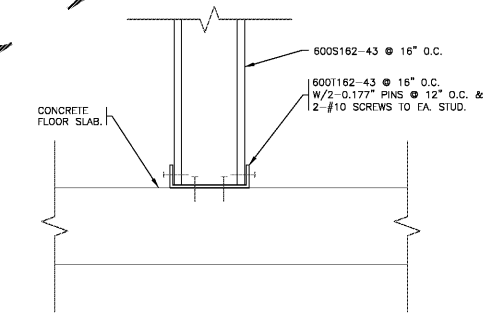
8 BRIDGING DETAIL NOT TO SCALE



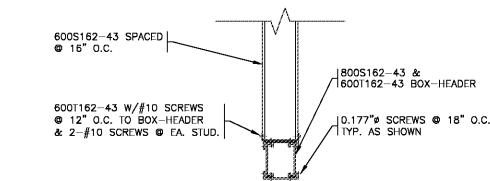
9 DETAIL NOT TO SCALE



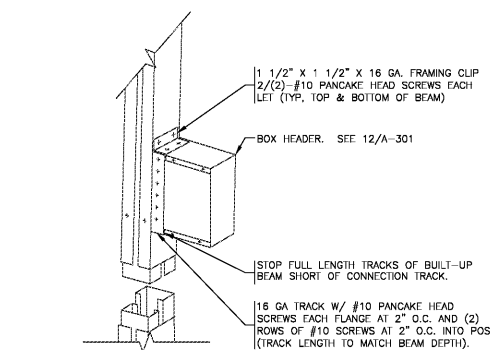
10 DETAIL 1" = 1'-0"



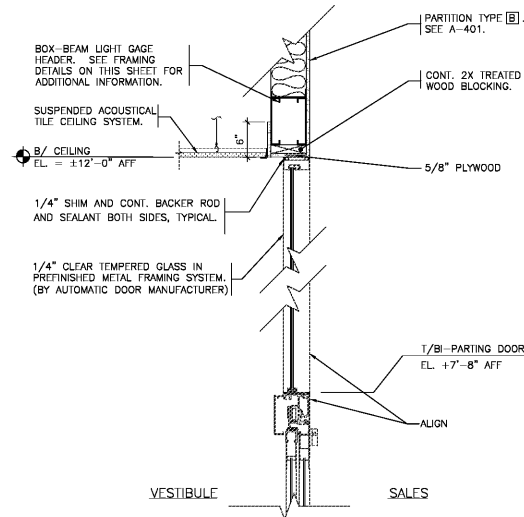
11 DETAIL NOT TO SCALE



12 DETAIL 1" = 1'-0"



13 DETAIL NOT TO SCALE



14 DETAIL 1" = 1'-0"

Salem Gate

NORTHERN TOOL + EQUIPMENT



ANCHOR 2B 1454 OLD SALEM ROAD CONYERS, GEORGIA

DETAILS

Date:	03/29/19	Drawn:	L.P.	Sheet No.:	A-301
Project No.:	18.112	By:	H.Z.		