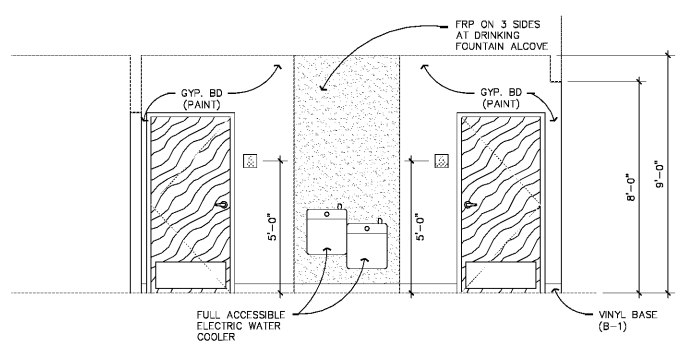
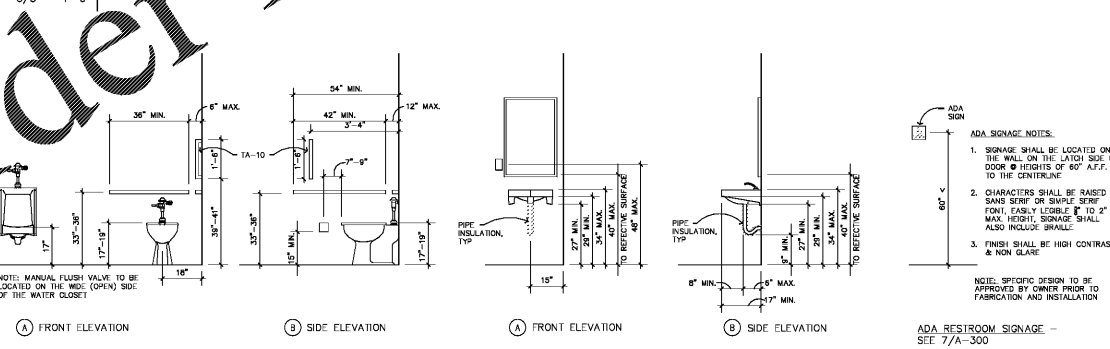
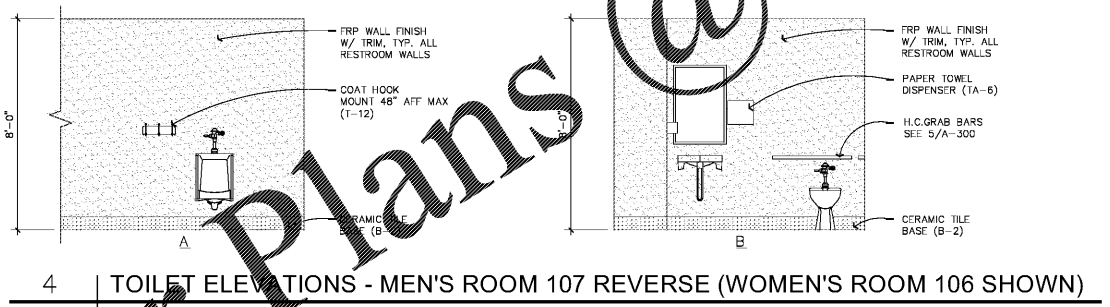
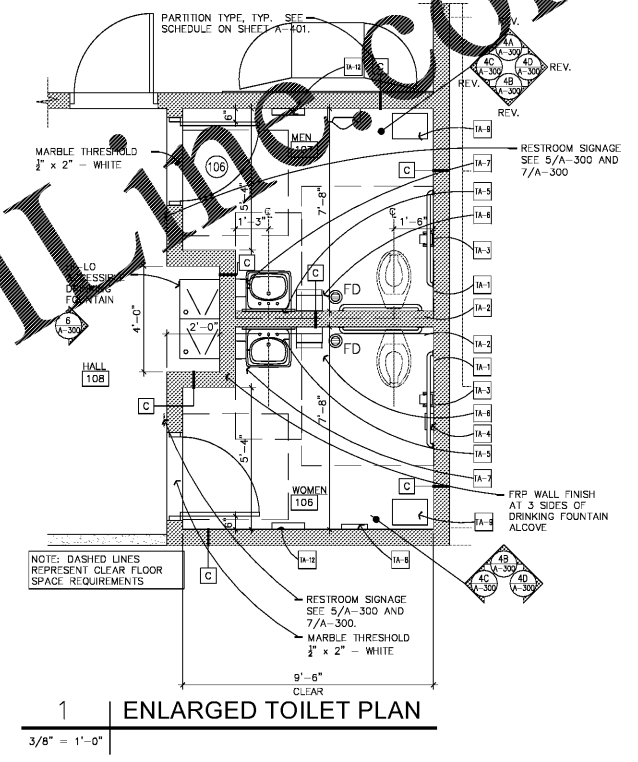
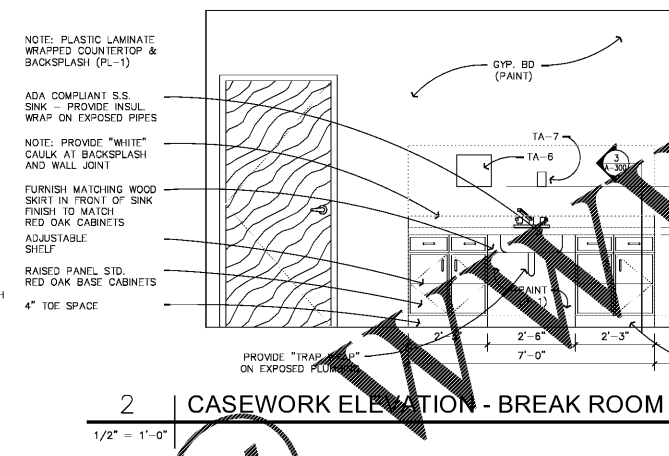
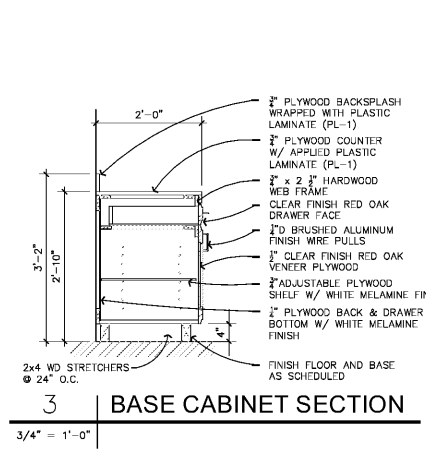


ACCESSORY LEGEND - UNLESS NOTED OTHERWISE, ACCESSORIES SUPPLIED AND INSTALLED BY G.C.

MARK	PRODUCT	MOUNT	MANUFACTURER	MODEL #	REMARKS
TA-1	GRAB BARS - 48"	33"-36" A.F.F.	BOBRICK	B-6806x48	WALL MOUNTED (SEE A-300 DETAILS 1, 4, & 5)
TA-2	GRAB BARS - 36"	33"-36" A.F.F.	BOBRICK	B-6806x36	WALL MOUNTED (SEE A-300 DETAILS 1, 4, & 5)
TA-3	TOILET PAPER DISPENSER	15" A.F.F. MIN.	---	---	WALL MOUNTED (SEE A-300 DETAILS 1, 4, & 5). TENANT PROVIDED/INSTALLED.
TA-4	SANITARY NAPKIN DISPOSAL	15" A.F.F. MIN.	---	---	WALL MOUNTED, TENANT PROVIDED AND INSTALLED (SEE A-300 DETAIL 1)
TA-5	MIRROR	40" A.F.F. MAX.	BOBRICK	B-243-1830	FRAMED (30" H. x 18" W.) (SEE A-300 DETAILS 1, 4, & 5)
TA-6	PAPER TOWEL DISPENSER	48" A.F.F. MAX.	---	---	WALL MOUNTED, TENANT PROVIDED AND INSTALLED (SEE A-300 DETAILS 1, 2, 4, & 5 AND A-301 DETAIL 2)
TA-7	SOAP DISPENSER	48" A.F.F. MAX.	---	---	WALL MOUNTED, TENANT PROVIDED AND INSTALLED (SEE A-300 DETAILS 1, 2, 4 & 5 AND A-301 DETAIL 2)
TA-8	FEMINE PRODUCTS DISPENSER	48" A.F.F. MAX.	---	---	WALL MOUNTED, TENANT PROVIDED AND INSTALLED (SEE A-300 DETAIL 1)
TA-9	TRASH CAN	---	---	---	TENANT PROVIDED (SEE A-300 DETAIL 1)
TA-10	GRAB BARS - 18"	39"-41" A.F.F.	BOBRICK	B-6806x18	WALL MOUNTED (SEE A-300 DETAIL 5)
TA-11	GLG MOUNTED TOILET PARTITION (N/A)	---	---	---	G.C. TO PROVIDE SHOP DRAWINGS AND BLOCKING ABOVE CEILING AS REQ. (NOT APPLICABLE)
TA-12	COAT HOOK	48" A.F.F. MAX	SAFCO	SAF6402BL	WALL MOUNTED (SEE A-300 DETAIL 4). TENANT PROVIDED AND INSTALLED.

NOTES:

- PROVIDE CONCEALED WOOD BLOCKING FOR ALL WALL MOUNTED ITEMS WHERE APPLICABLE.



Order Plans @

WWW.LDILLINE.COM

DZA ASSOCIATES, INC.
11, REG. # 154001714
7625 Butterfield Road Suite 233N
Oak Brook, Illinois 60521
Phone-630-239-1020 www.dzarch.com

© 2020 DZA ASSOCIATES, INC. THE PROJECT SHALL BE DEEMED THE AUTHOR OF THESE DRAWINGS AND SHALL RETAIN ALL COPYRIGHT, PATENT, TRADEMARK, AND OTHER RIGHTS, INCLUDING COPYRIGHT.

Rev. No.	Description	Date
▲	ISSUED FOR BID AND PERMIT	03/29/19
▲	ISSUED FOR BID	05/30/19
▲	REISSUED FOR BID AND PERMIT	10/16/20

Salem Gate
NORTHERN TOOL + EQUIPMENT
ANCHOR 2B
1454 OLD SALEM ROAD
CONYERS, GEORGIA

ENLARGED TOILET PLAN, ELEVATIONS AND DETAILS

Date: 03/29/19	Drawn: L.P.	Sheet No.:
Project No.: 18.112	Rev: H.Z.	A-300