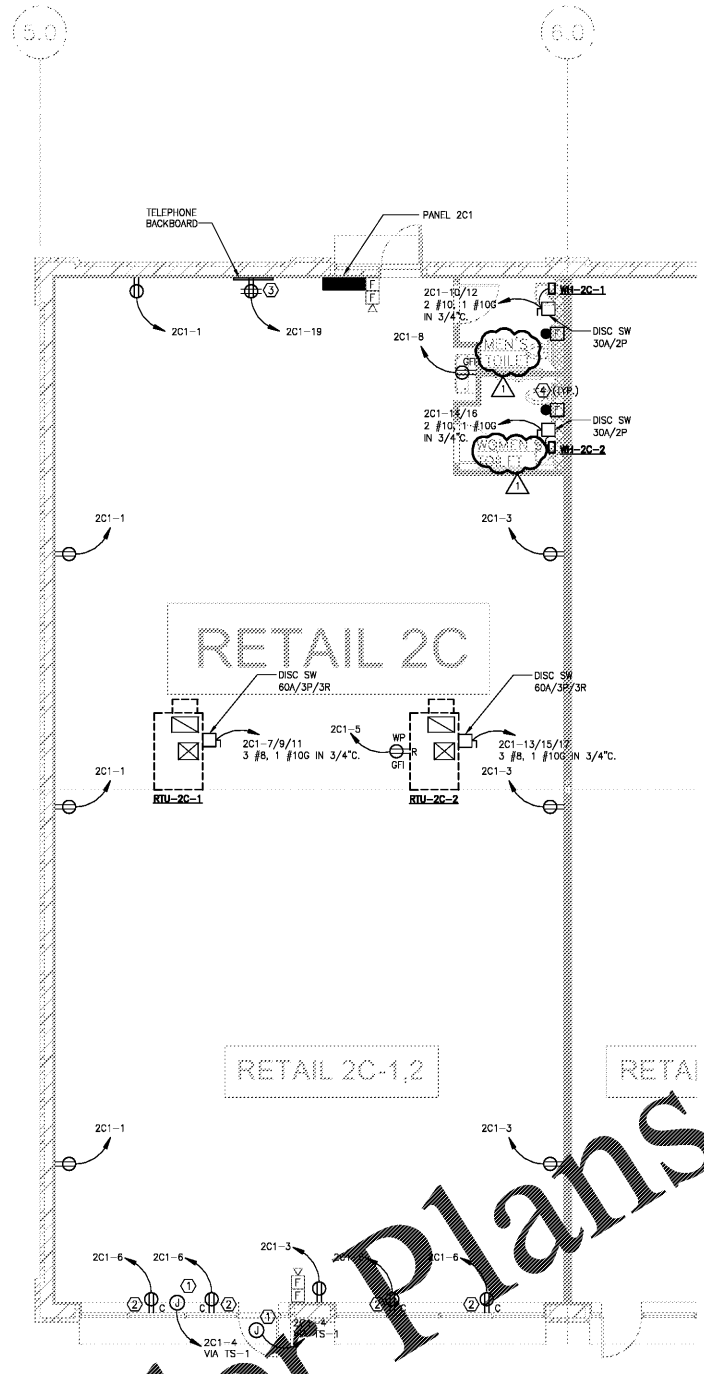


D-Z-A ASSOCIATES, INC.
 IL REG. # 104-001714
 Suite 233N
 2625 Butterfield Road
 Oak Brook, Illinois 60523
 Phone 630 238 1020 www.dzarch.com

© 2019 D-Z-A ASSOCIATES, INC.
 THE ARCHITECT SHALL BE DEEMED THE AUTHOR OF THESE DOCUMENTS AND SHALL BE RESPONSIBLE FOR ANY REVISIONS AND OTHER MATTER, INCLUDING EQUIPMENT.

No.	Description	Date
▲	ISSUED FOR BID & PERMIT	03/29/19
▲	ISSUED FOR BID	05/30/19
▲	RE-ISSUE FOR BID & PERMIT	10/13/20



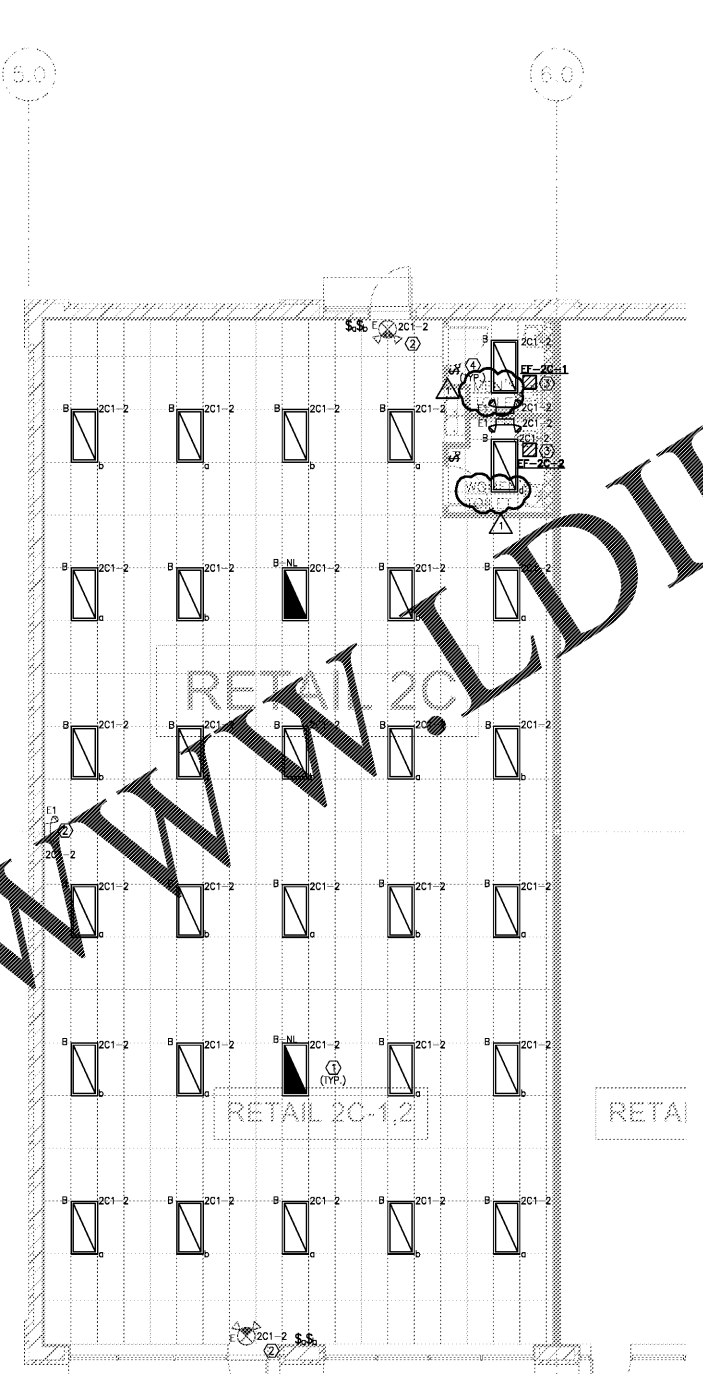
WHITE BOX POWER PLAN - RETAIL 2C-1
 SCALE: 3/16" = 1'-0"

GENERAL NOTES - POWER:

- ALL 120/208V, SINGLE PHASE, THREE PHASE, 15 AND 20 AMP RECEPTACLE INSTALLED OUTDOORS IN BATHROOM, KITCHENS OR ROOFTOP AREAS SHALL HAVE GROUND FAULT CIRCUIT INTERRUPTER PROTECTION.
- CONDUITS BELOW SLAB SHALL BE PVC CONDUITS WITH METAL FLOW. ENCLOSED IN WALL/CEILING CONDUITS SHALL BE METAL CONDUITS. ANY EXPOSED CONDUITS SHALL BE METAL CONDUITS ONLY. ENCLOSED IN CONCRETE CONDUITS SHALL BE PVC.

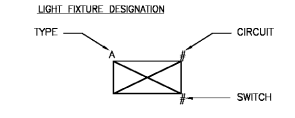
KEY NOTES - POWER:

- TENANT SHALL CONNECT SIGNAGE TO LANDLORD TIME SWITCH IS-1.
- SHOW WINDOW RECEPTACLES SHALL BE SPACED AT NOT MORE THAN 12'-0" O.C. AND INSTALLED WITHIN 18" ABOVE TOP OF WINDOWS PER NEC 210.62.
- CONTRACTOR TO EXTEND CONDUIT AND CABLE FOR TELEPHONE SERVICE TO TENANT TELEPHONE BACKBOARD IF REQUIRED.
- CONNECT ALL NEW FIRE ALARM DEVICES TO LANDLORD FIRE ALARM PANEL. CONTRACTOR SHALL MATCH NEW DEVICES TO EXISTING DEVICES.



WHITE BOX LIGHTING PLAN - RETAIL 2C-1
 SCALE: 3/16" = 1'-0"

MARK	SYMBOL	DESCRIPTION	COMMENTS
B		2x4 LED TROFFER LIGHT; LITHONIA LIGHTING #21SL4; 30W LED	IN OPEN AREA
B-NL		2x4 LED TROFFER LIGHT; LITHONIA LIGHTING #21SL4; 30W LED; NIGHT LIGHT	IN OPEN AREA
OM		WALL SCONCE LED LITHONIA LIGHTING 29W, MRW 30K-SR4-120-E10WH	EXTERIOR
HF		WBRO6/D154-FS18 FLOURESCENT DYNAMIC LIGHTING; 42W; DOWNLIGHT SCONCE	EXTERIOR
C		6" LED EXTERIOR CAN LIGHT; 11.9W	RECESSED EXTERIOR
E		LITHONIA LIGHTING LHOM LED EXIT/EMERGENCY SIGN; FACE: 4.3W; HEADS: 1.5W EACH	EXTERIOR DOOR LOCATION
E1		LED EMERGENCY LIGHT LITHONIA LIGHTING ELK2 LED; HEADS 1.5W EACH	MOUNT ON WALL OR CEILING



GENERAL NOTES - LIGHTING:

- CONTRACTOR SHALL COORDINATE ALL ELECTRICAL CONSTRUCTION WITH OTHER TRADES TO AVOID CONFLICTS.
- CONTRACTOR SHALL VERIFY THERE IS NO OVERLOADING OF BRANCH CIRCUITS AND/OR PANEL BOARD REGARDLESS OF CIRCUITRY INDICATED.

KEY NOTES - LIGHTING:

- ALL EMERGENCY LIGHTS, EXIT/EMERGENCY SIGN, AND NIGHT LIGHTS SHALL BE CONNECTED AHEAD OF SWITCH.
- CONNECT ALL EXISTING EXIT/EMERGENCY SIGNS AND EMERGENCY LIGHTS TO TENANT PANEL.
- EXHAUST FANS SHALL BE INTERLOCKED WITH RESTROOM LIGHT SWITCH.
- THE LIGHT SWITCH HEIGHT INCLUDING TOP OF COVER PLATE TO BE BELOW 4' A.F.F.

PROVIDE SEPARATE LINE-ITEM COST FOR WORK ASSOCIATED WITH WHITE BOX IMPROVEMENTS FOR SPACE 2C-1

Order Plans @ WWW.LDILINE.COM

Salem Gate Market

ANCHOR 2B AND RETAIL 2C
2C-1 WHITE BOX

1460-1
 OLD SALEM ROAD
 CONYERS, GEORGIA

ELECTRICAL - SPACE 2C-1
 WHITE BOX

Date:	03/29/19	Drawn by:	AK	Sheet No.:	E7.1 (2)
Project No.:	18.110	Rev.:	AR		

CRAY Ray Group Consulting Engineers, Inc.
 1877 Powers Ferry Road
 Building 80, Suite 100
 Atlanta, Georgia 30339
 Tel. (770) 953-1448
 Fax. (770) 953-8023