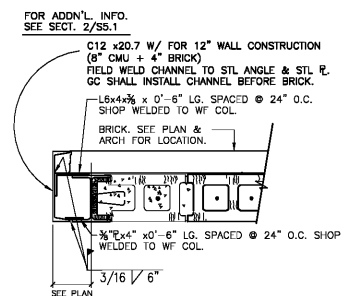
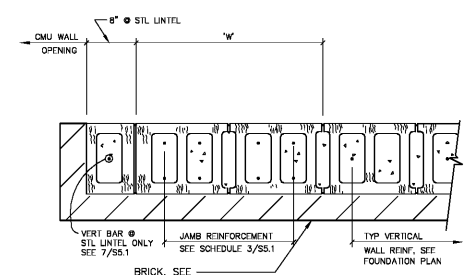


1 STL CHANNEL REINF. JAMB
 SS.1 SCALE: N.T.S.



1A STL CHANNEL REINF. JAMB
 SS.1 SCALE: N.T.S.



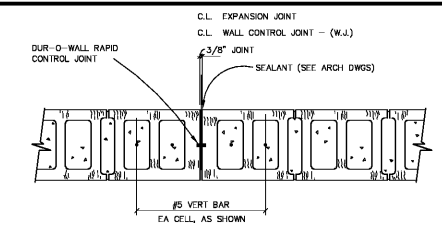
2 SECTION
 SS.1 SCALE: 1" = 1'-0"

CMU JAMB SCHEDULE

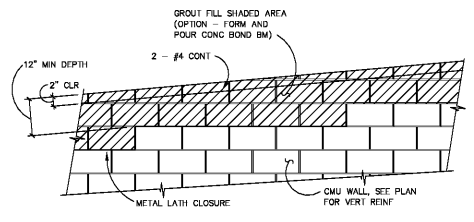
CMU OPENING WIDTH	'W'	VERTICAL REINFORCEMENT	REMARKS
3'-4"	0'-8"	2- #5 @ 8" o.c.	-
4'-0"	0'-8"	2- #5 @ 8" o.c.	-
6'-8"	1'-4"	2- #5 @ 8" o.c.	-
6'-0"	1'-4"	2- #5 @ 8" o.c.	-
10'-0"	1'-4"	2- #5 @ 8" o.c.	-

NOTE:
 SET ARCH DWGS FOR OPENING LOCATIONS.
 * USE 'W' = 1'-4" @ 8" CMU WALLS

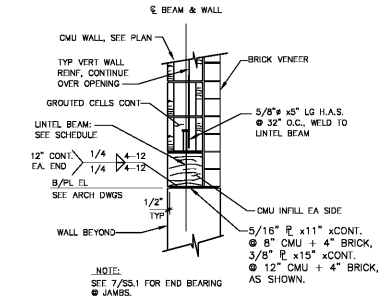
3 SCHEDULE
 SS.1 SCALE: 1" = 1'-0"



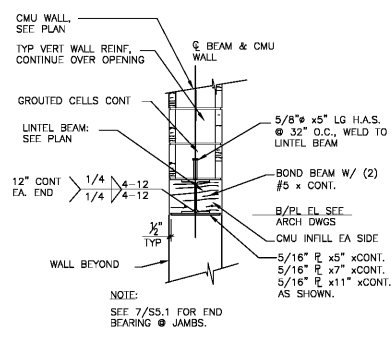
4 SECTION
 SS.1 SCALE: 1/2" = 1'-0"



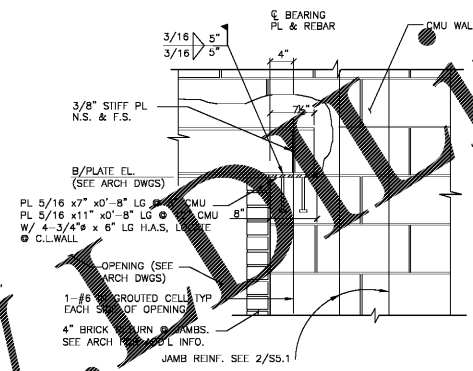
5 SECTION
 SS.1 SCALE: 1/2" = 1'-0"



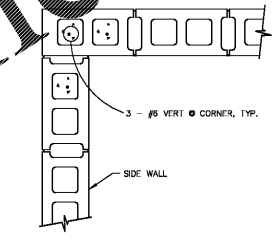
6A STEEL LINTEL FOR CMU + BRICK
 SS.1 SCALE: 1/2" = 1'-0"



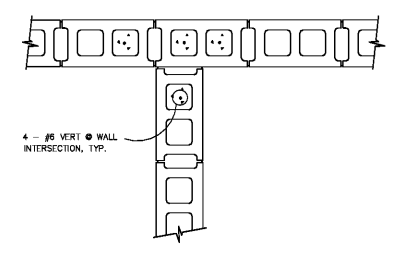
6B STEEL LINTEL SECTION
 SS.1 SCALE: 3/4" = 1'-0"



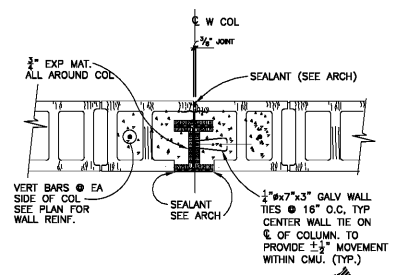
7 SECTION
 SS.1 SCALE: 1" = 1'-0"



8 SECTION
 SS.1 SCALE: 1" = 1'-0"



9 SECTION
 SS.1 SCALE: 1" = 1'-0"



10 SYSTEM COLUMN IN CMU WALL
 SS.1 SCALE: 1" = 1'-0"

Order Plans @ www.dynline.com

DZA ASSOCIATES, INC.
 IL REG. # 104-001714 Suite 233N
 2625 Butterfield Road 60533
 Oak Brook, Illinois 60533
 Phone: 630-530-1020 www.dzainc.com

© 2019 DZA ASSOCIATES, INC. THE ARCHITECT SHALL BE DEEMED THE AUTHOR OF THESE DOCUMENTS AND SHALL BE RESPONSIBLE FOR ALL CONSTRUCTION AND OTHER MATTERS, INCLUDING COPYRIGHTS.

No.	Description	Date
▲	ISSUED FOR PERMIT AND BID	03/29/19
▲	ISSUED FOR BID	05/30/19
▲	RE-ISSUED FOR PERMIT AND BID	10/16/20

STRUCTURAL ENGINEER
GreenbergFarrow
 1430 West Peachtree St. NW
 Suite 200
 Atlanta, GA 30309
 T 847 788 9200

Salem Gate
Market

ANCHOR 2B
 AND RETAIL 2C

1454 AND 1460
 OLD SALEM ROAD
 CONYERS, GEORGIA

TYPICAL C.M.U. DETAILS

Date	Drawn By	Sheet No.
03/29/19	C.B.	SS.1
Project No.	20182028.0	M.H.

(2)