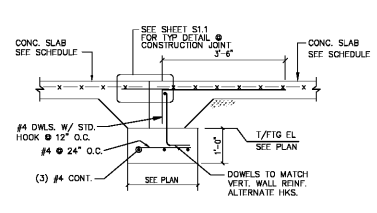


DZA ASSOCIATES, INC.

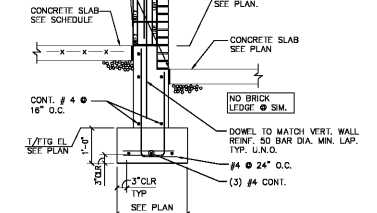
101 REG. # 104-001714 Suite 233N  
2625 Butterfield Road Suite 6033  
Oak Brook, Illinois 60533  
Phone 630-530-1020 www.dzainc.com

© 2019 DZA ASSOCIATES, INC.  
THE ARCHITECT SHALL BE DEEMED THE AUTHOR OF  
THESE DOCUMENTS AND SHALL BE RESPONSIBLE FOR ALL CONFLICTS AND  
EXCEPTIONS AND OTHER MATTERS, INCLUDING COPYRIGHT.

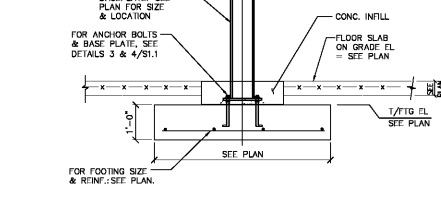
No.	Description	Date
▲	ISSUED FOR PERMIT AND BID	03/29/19
▲	ISSUED FOR BID	05/30/19
▲	RE-ISSUED FOR PERMIT AND BID	10/16/20



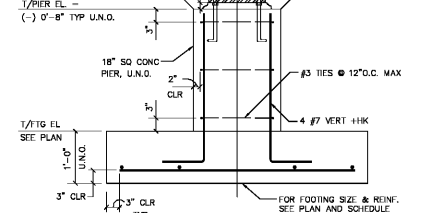
1 SECTION AT OPENING  
S4.1 SCALE: 1/2" = 1'-0"



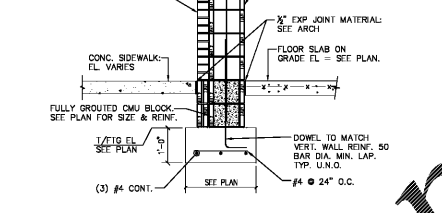
2 SECTION AT CMU WALL  
S4.1 SCALE: 1/2" = 1'-0"



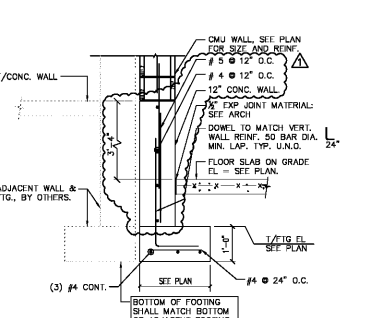
3 SECTION AT INTERIOR COLUMN  
S4.1 SCALE: 1/2" = 1'-0"



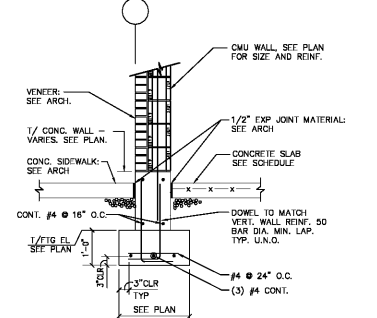
3A INTERIOR FOOTING W/ CONC PIER  
S4.1 SCALE: 1/2" = 1'-0"



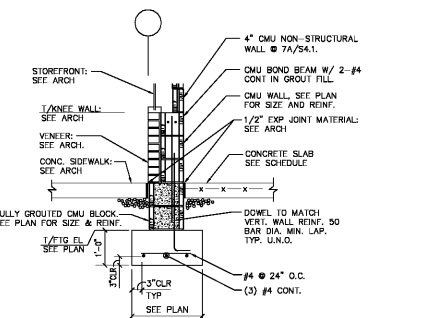
4 SECTION AT EXTERIOR WALL  
S4.1 SCALE: 1/2" = 1'-0"



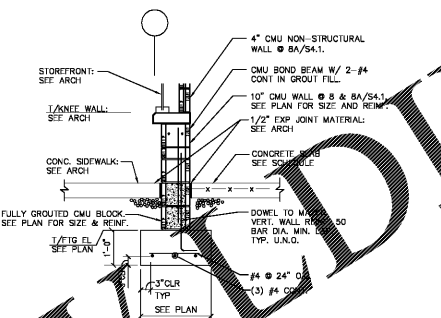
5 SECTION AT PROPERTY WALL  
S4.1 SCALE: 1/2" = 1'-0"



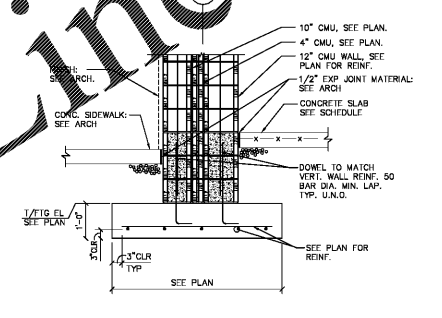
6 SECTION AT EXTERIOR WALL  
S4.1 SCALE: 1/2" = 1'-0"



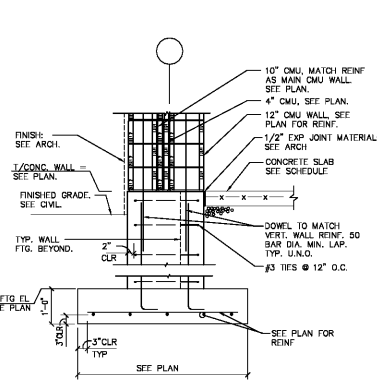
7/7A SECTION AT KNEE WALL  
S4.1 SCALE: 1/2" = 1'-0"



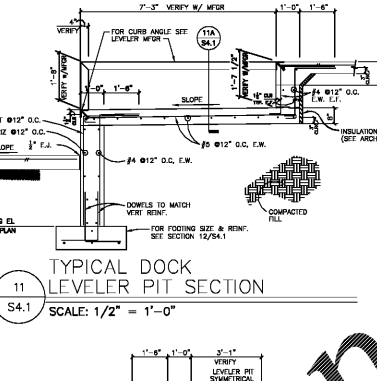
8/8A SECTION AT KNEE WALL  
S4.1 SCALE: 1/2" = 1'-0"



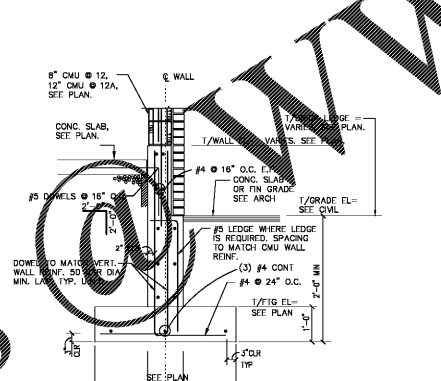
9 SECTION AT EXTERIOR WALL  
S4.1 SCALE: 1/2" = 1'-0"



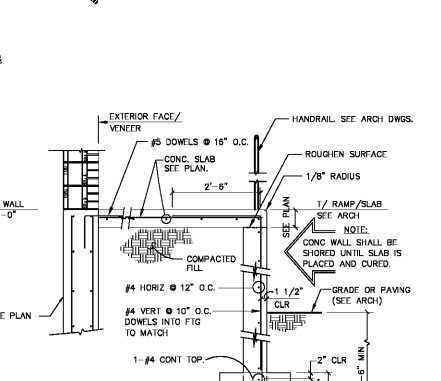
10 SECTION AT EXTERIOR WALL  
S4.1 SCALE: 1/2" = 1'-0"



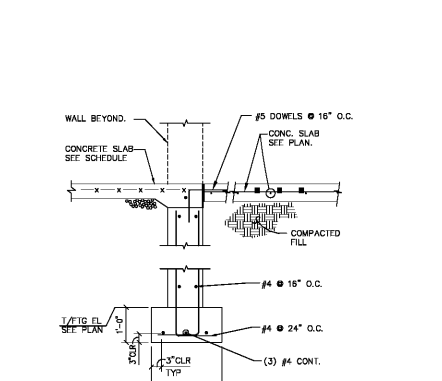
11 TYPICAL DOCK LEVELER PIT SECTION  
S4.1 SCALE: 1/2" = 1'-0"



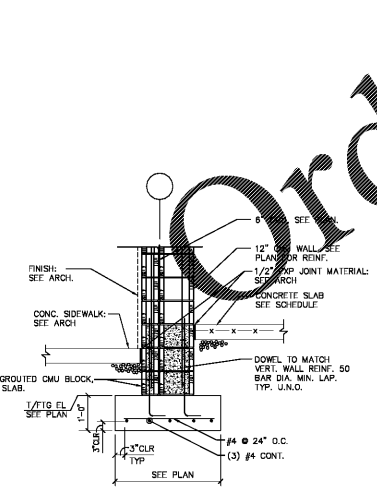
12/12A SECTION  
S4.1 SCALE: 1/2" = 1'-0"



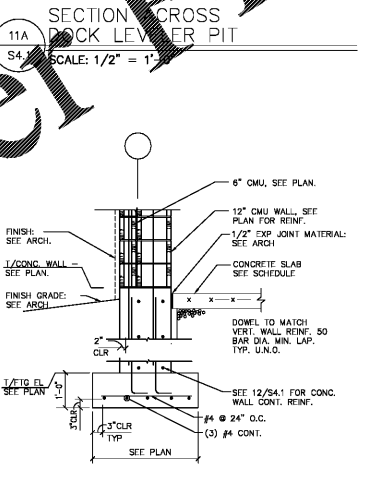
13 SECTION  
S4.1 SCALE: 1/2" = 1'-0"



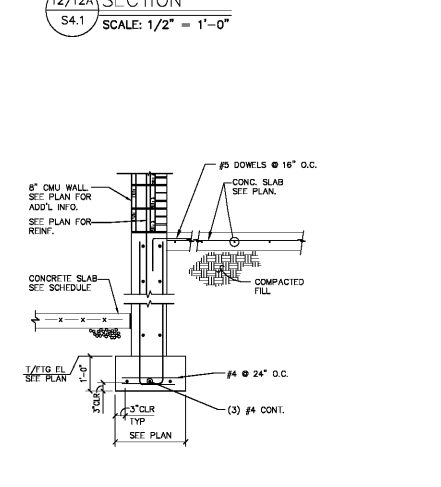
14 SECTION AT CMU WALL  
S4.1 SCALE: 1/2" = 1'-0"



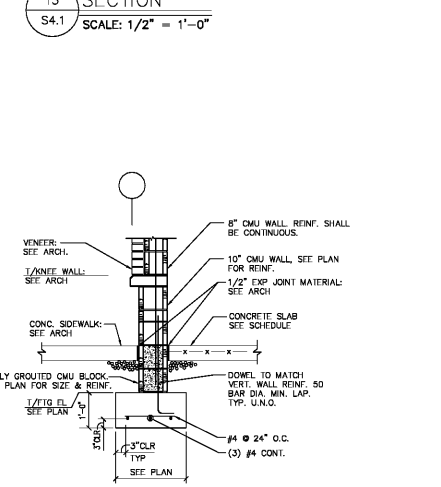
15 SECTION AT EXTERIOR WALL  
S4.1 SCALE: 1/2" = 1'-0"



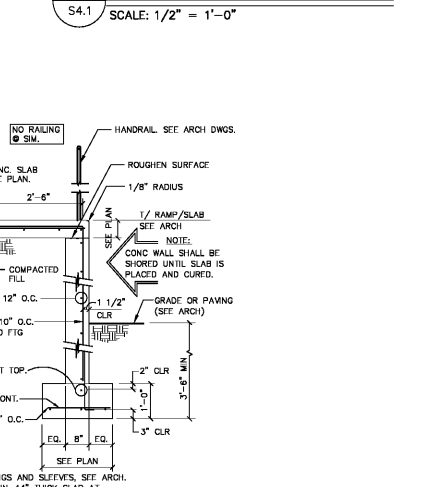
16 SECTION AT EXTERIOR WALL  
S4.1 SCALE: 1/2" = 1'-0"



17 SECTION AT CMU WALL  
S4.1 SCALE: 1/2" = 1'-0"



18 SECTION AT KNEE WALL  
S4.1 SCALE: 1/2" = 1'-0"



19 SECTION  
S4.1 SCALE: 1/2" = 1'-0"

Order Plans

STRUCTURAL ENGINEER  
**GreenbergFarrow**  
1430 West Peachtree St. NW  
Suite 200  
Atlanta, GA 30309  
t 847 788 9200

**Salem Gate**  
Anchor

ANCHOR 2B  
AND RETAIL 2C

1454 AND 1460  
OLD SALEM ROAD  
CONYERS, GEORGIA

FOUNDATION DETAILS

Date	Drawn	Checked	Scale	Sheet No.
03/29/19	C.B.			S4.1
20180228.0	M.H.			(2)