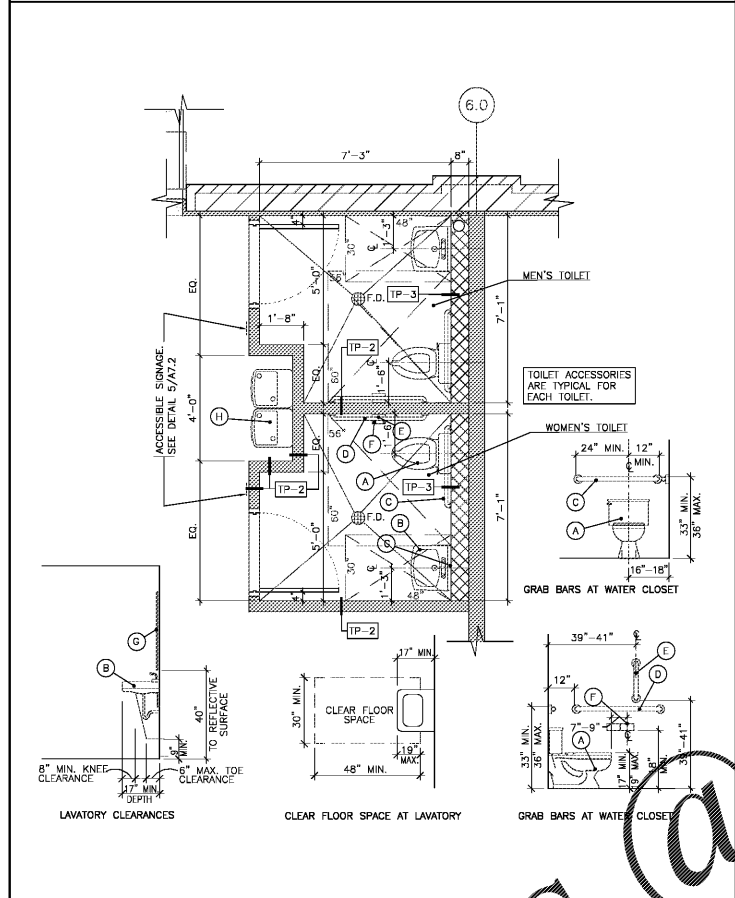


PLUMBING FIXTURE/ TOILET ACCESSORY SCHEDULE			
NO.	DESCRIPTION	MANUFACTURER	MOUNTING HEIGHT
(A)	WATER CLOSET	SEE PLUMBING DRAWINGS.	1/ SEAT 17"-19" AFF
(B)	LAVATORY	SEE PLUMBING DRAWINGS.	1/LAV. @ 34" AFF
(C)	36" GRAB BAR	'BOBRICK' #B-5806-36	SEE ELEVATIONS.
(D)	42" GRAB BAR	'BOBRICK' #B-5806-42	SEE ELEVATIONS.
(E)	18" GRAB BAR	BOBRICK # B-5806-18	SEE ELEVATIONS.
(F)	TOILET PAPER HOLDER	BOBRICK # B-7685	SEE ELEVATIONS.
(G)	MIRROR	BOBRICK # B-165 18X36	SEE ELEVATIONS.
(H)	HI-LO DRINKING FOUNTAIN	SEE PLUMBING DRAWINGS.	WHEEL CHAIR SPOUT HEIGHT @ 36" AFF MAX; STANDING PERSON SPOUT HEIGHT @ 38" AFF MIN. AND 43" AFF MAX.

1. PROVIDE PIPE INSULATION ON SUPPLY AND DRAIN PIPING UNDER LAVATORY. THERE SHALL BE NO SHARP OR ABRASIVE SURFACE UNDER LAVATORY. INSULATE TRAP AND SUPPLY PIPES WITH TRUBRO NO. 103 LAV GUARD.
2. ALL TOILET ROOM ACCESSORIES SHALL COMPLY WITH THE AMERICANS WITH DISABILITIES ACT AND GEORGIA ACCESSIBILITY CODE.
3. BOBRICK ACCESSORIES LISTED AS DESIGN REFERENCE ONLY. SUBMIT 'OR EQUAL' FOR REVIEW.
4. PROVIDE FIRE RETARDANT WOOD BLOCKING FOR ALL ACCESSORIES PER MANUFACTURER'S INSTRUCTIONS.

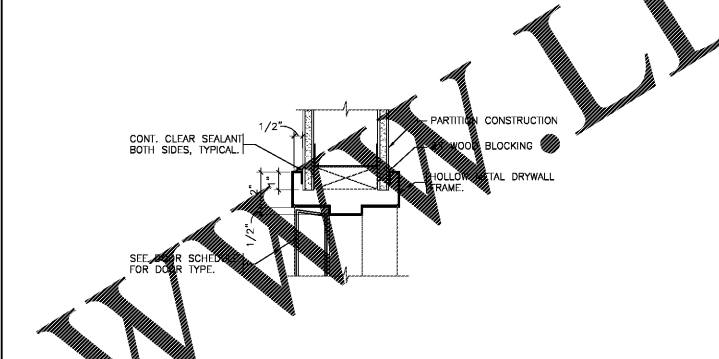
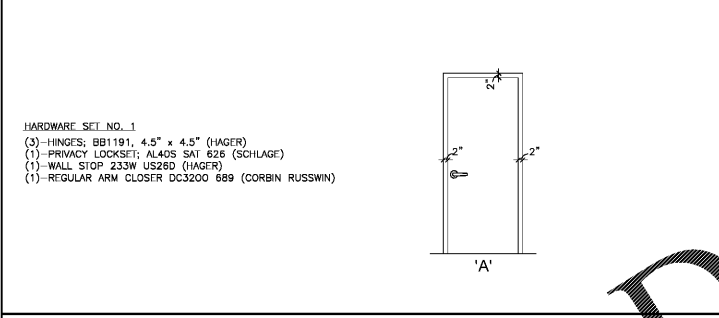


DOOR SCHEDULE										
MARK	LOCATION	DOOR SIZE			DOOR		FRAME		H.W. SET	REMARKS
		WIDTH	HEIGHT	THICKNESS	MATL.	TYPE	FINISH/COLOR	MATL.		
①	WOMEN'S TOILET	3'-0"	7'-0"	1-3/4"	H.M.	A	---	H.M.	---	2/A7.2 1
②	MEN'S TOILET	3'-0"	7'-0"	1-3/4"	H.M.	A	---	H.M.	---	2/A7.2 1

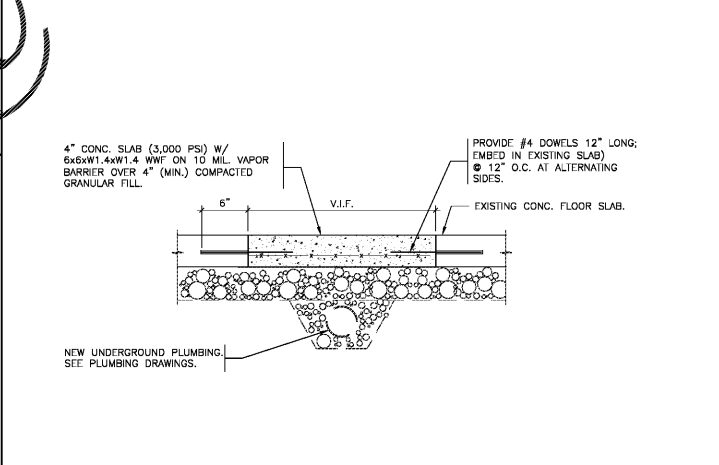
DOOR SCHEDULE - GENERAL NOTES

1. ALL DOORS SHALL BE PROVIDED WITH ACCESSIBILITY COMPLIANT HARDWARE.
2. ALL EMERGENCY EXITS SHALL OPERATE WITHOUT THE USE OF A KEY FROM THE INSIDE OF THE BUILDING.
3. ALL HOLLOW METAL DOOR FRAMES TO BE WELDED IN LIEU OF KNOCK-DOWN CONSTRUCTION.
4. PROVIDE DRYWALL FRAMES FOR INTERIOR DOORS. SIZE FRAME SUCH THAT PARTITION CONSTRUCTION FITS WITHIN THROAT OF FRAME. PROVIDE 3 ADJUSTABLE JAMB ANCHORS AND 1 BASE ANCHOR FOR EACH JAMB. PROVIDE CONT. SEALANT ALONG PERIMETER OF FRAMES (BOTH SIDES).
5. DOOR OPENING FORCE TO BE 8.5 LBS. FOR EXTERIOR HINGED DOORS AND 5 LBS. FOR INTERIOR HINGED DOORS.

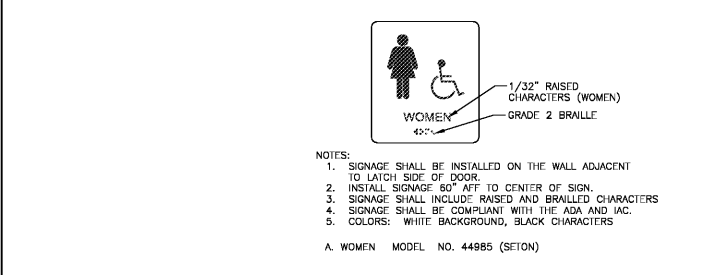
DOOR TYPES AND HARDWARE SETS



3/8" = 1'-0" M. HEAD/ JAMB DETAIL



3 N.T.S. SLAB INFILL DETAIL



5 NOT TO SCALE DETAIL @ SIGNAGE

ROOM FINISH SCHEDULE										
ROOM #	ROOM	FLOOR	BASE	WALLS				CEILING		REMARKS
				NORTH	SOUTH	EAST	WEST	FINISH	HEIGHT	
101	BUSINESS OPERATIONS	FC-1	---	---	---	---	---	CG-1	+12'-0"	①
102	MEN'S TOILET	FC-2	VB-1	WC-1	WC-1	WC-1	WC-1	CG-1	+8'-0"	
103	WOMEN'S TOILET	FC-2	VB-1	WC-1	WC-1	WC-1	WC-1	CG-1	+8'-0"	

ROOM FINISH LEGEND

MARK	DESCRIPTION	MANUFACTURER/ COLOR	REMARKS
FLOOR COVERING (FC)			
FC-1	EXPOSED CONCRETE		
FC-2	VCT; 12" X 12" X 1/8"	ARMSTRONG STANDARD EXCELON; 51839 FORTRESS WHITE.	
VINYL BASE (VB)			
VB-1	4" COVE VINYL BASE	ARMSTRONG; 03 BISOUFWARE	
WALL COVERING (WC)			
WC-1	FRP	MARLITE; P-140 IVORY	
CEILING (CG)			
CG-1	SUSPENDED ACOUSTICAL TILE	ARMSTRONG #755 WHITE SQUARE LAY-IN; 15/16" PRELUB	

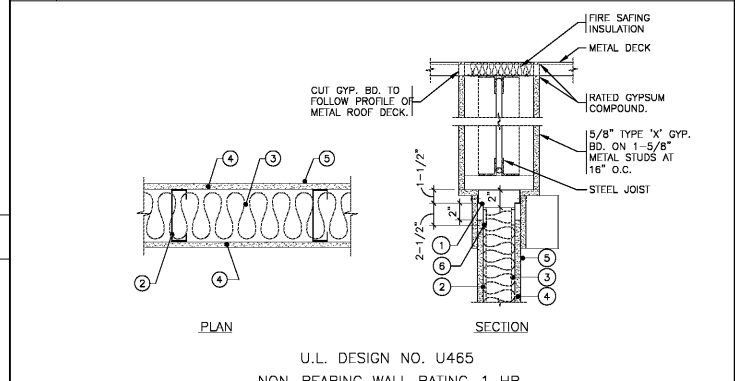
ROOM FINISH SCHEDULE AND LEGEND - REMARKS

1. FINISH (I.E. FLOOR COVERING, BASE AND WALL COVERING) SUPPLIED AND INSTALLED / APPLIED BY TENANT, UNLESS NOTED OTHERWISE.

PARTITION TYPES

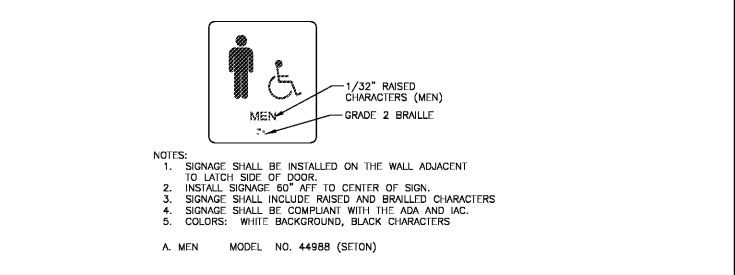
1. ALL "MUD" ARE NEW AND EXISTING GYP. BD. SURFACES.
2. PROVIDE CONTROL JOINTS AT 30'-0" O.C. MAX.
3. PROVIDE LEVEL 4 FINISH ON ALL GYP. BD. SURFACES.

MARK	DESCRIPTION
TP-1	5/8" GYP. BD. ON BOTH SIDES OF 3 5/8", 20 GA. METAL STUDS @ 16" O.C. WITH 6" MINERAL FIBER SOUND ATTENUATION BLANKETS. EXTEND PARTITION CONSTRUCTION TO UNDERSIDE OF ROOF DECK. SEE 4/A7.2 FOR ADDITIONAL INFORMATION.
TP-2	5/8" GYP. BD. ON BOTH SIDES OF 3 5/8", 20 GA. METAL STUDS @ 16" O.C. WITH SOUND ATTENUATION BLANKETS BETWEEN METAL STUDS. TERMINATE PARTITION CONSTRUCTION 6" ABOVE HIGHEST ADJACENT CEILING. PROVIDE FIBEROCK BRAND AQUA-TOUGH MOISTURE AND MOLD RESISTANT GYP. BD. ON TOILET ROOM SIDE AND ON SIDE AT DRINKING FOUNTAINS.
TP-3	5/8" FIBEROCK BRAND AQUA-TOUGH MOISTURE AND MOLD RESISTANT GYP. BD. ON ONE SIDE OF 3 5/8", 20 GA. METAL STUDS @ 16" O.C. TERMINATE PARTITION CONSTRUCTION 6" ABOVE CEILING.

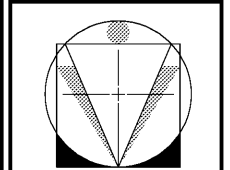


1. 22 GA. "SHADOWLINE" TRACK WITH OFFSET AS REQUIRED TO ACCOMMODATE METAL STUDS AND 5/8" GYPSUM WALLBOARD PANELS. SECURE TRACK TO METAL DECK @ 24" O.C. TRACK MANUFACTURED BY FIRE TRAK CORP. (800-394-9875).
2. STEEL STUDS - CHANNEL SHAPED, 1-1/4" LEGS, 3/8" FOLDED BACK RETURNS, FORMED FROM NO. 20 MSG (MIN.) GALVANIZED STEEL SPACED 16" O.C. MAX. PROVIDE 6" METAL STUDS @ 16" O.C.
3. BATTS AND BLANKETS (*) - MINERAL WOOL OR GLASS FIBER BATTS (6").
4. WALLBOARD, GYPSUM (*) - 5/8" THICK, 4" WIDE, ATTACHED TO STEEL STUDS AND FLOOR AND CEILING TRACK WITH 1" LONG, TYPE "S" SELF-TAPPING STEEL SCREWS SPACED 8" O.C. ALONG EDGES OF BOARD AND 12" O.C. IN THE FIELD OF THE BOARD. JOINTS ORIENTED VERTICALLY AND STAGGERED ON OPPOSITE SIDES OF THE ASSEMBLY.
G-P GYPSUM CORP. - TYPES 5, 9, C, GPFSS.
UNITED STATES GYPSUM CO. - TYPE AR, C, IP-X2, SCX, SIX, WRC OR WRX.
5. JOINT TAPE AND COMPOUND - VINYL DRY OR PREMIXED JOINT COMPOUND APPLIED IN TWO COATS TO JOINTS AND SCREW HEADS; PAPER TAPE, 2" WIDE, EMBEDDED IN FIRST LAYER OF COMPOUND OVER ALL JOINTS.
(*) PRODUCT MUST BEAR THE U.L. CLASSIFICATION MARKING.
6. 20 GA. POSI-CLIP (BY FIRE TRAK CORP.).

4 3/8" = 1'-0" PARTITION TYPE TP-1



5 NOT TO SCALE DETAIL @ SIGNAGE



DZA ASSOCIATES, INC.
REG. # 184001714
2625 Butterfield Road
Oak Brook, Illinois 60521
Phone: 630-230-1029 www.dzark.com

Rev. No.	Description	Date
▲	ISSUED FOR BID AND PERMIT	03/29/19
▲	ISSUED FOR BID	05/30/19
▲	RE-ISSUED FOR BID AND PERMIT	10/16/20

Salem Gate
Markets

ANCHOR 2B AND RETAIL 2C

1454 AND 1460
OLD SALEM ROAD
CONYERS, GEORGIA

RETAIL 2C-1 SCHEDULES AND DETAILS

Date	Rev.	Sheet No.
03/29/19	L.P.	A7.2
Project No.	Rev. No.	(2)
18.110	H.Z.	

Order Plans @