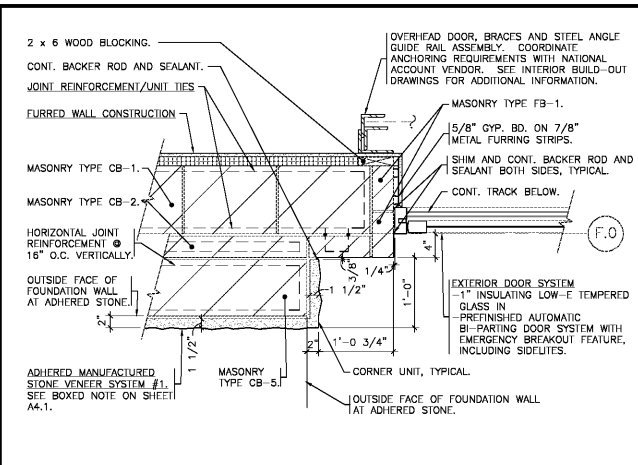
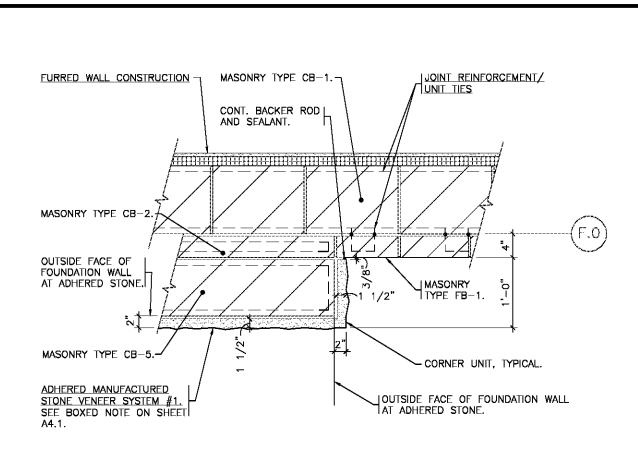


© 2010 D.Z.A. ASSOCIATES, INC. THE APPLICANT SHALL BE DEEMED THE AUTHOR OF THESE DOCUMENTS AND SHALL RETAIN ALL OWNERSHIP, INTELLECTUAL PROPERTY AND OTHER RIGHTS, INCLUDING COPYRIGHT.

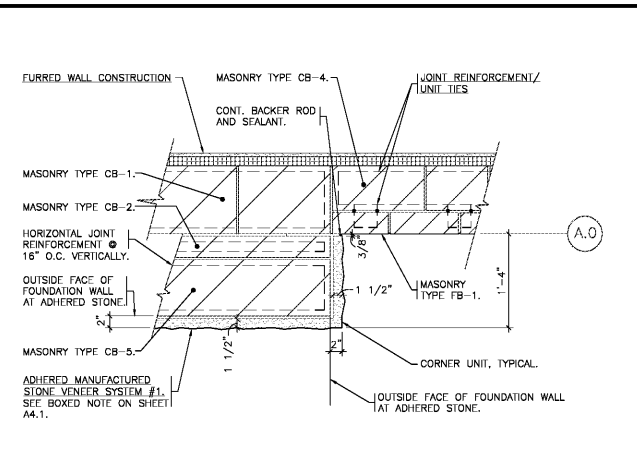
Rev. No.	Description	Date
▲	ISSUED FOR BID AND PERMIT	03/29/19
▲	ISSUED FOR BID	05/30/19
▲	RE-ISSUED FOR BID AND PERMIT	10/16/20



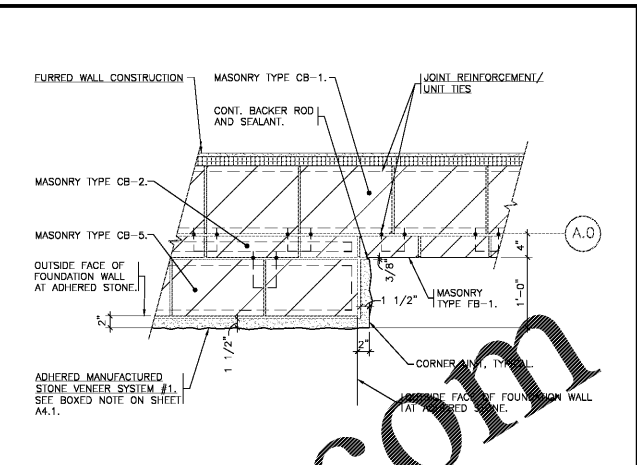
1 DETAIL 1" = 1'-0" REFER TO SHEET A4.1 FOR MASONRY TYPES.



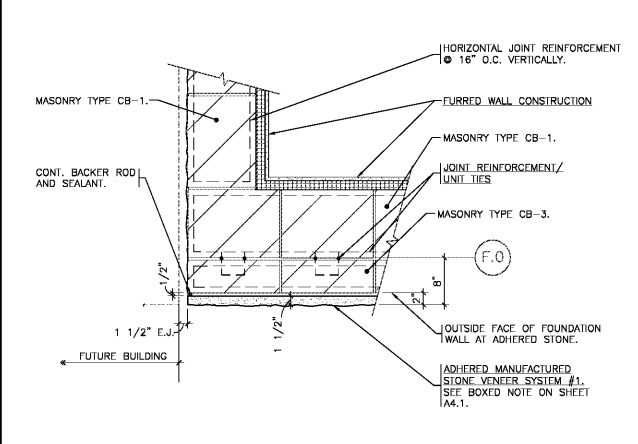
2 DETAIL 1" = 1'-0" REFER TO SHEET A4.1 FOR MASONRY TYPES.



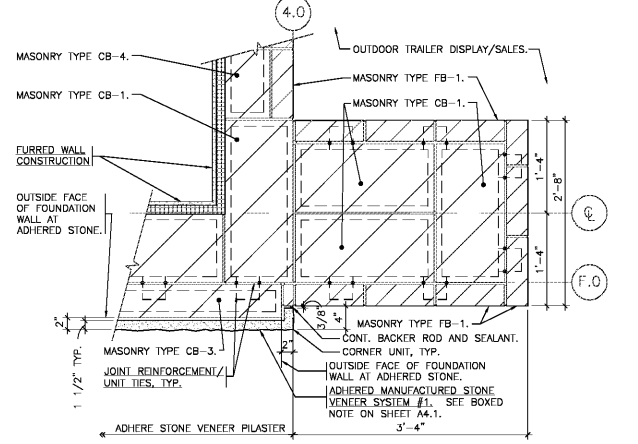
3 DETAIL 1" = 1'-0" REFER TO SHEET A4.1 FOR MASONRY TYPES.



4 DETAIL 1" = 1'-0" REFER TO SHEET A4.1 FOR MASONRY TYPES.



5 DETAIL 1" = 1'-0" REFER TO SHEET A4.1 FOR MASONRY TYPES.



6 DETAIL 1" = 1'-0" REFER TO SHEET A4.1 FOR MASONRY TYPES.



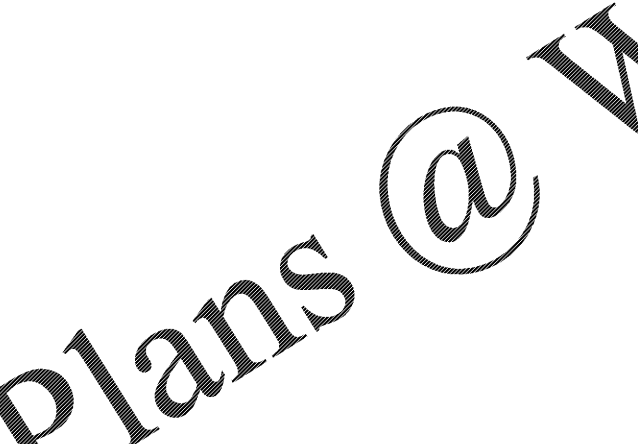
7 DETAIL 1" = 1'-0" REFER TO SHEET A4.1 FOR MASONRY TYPES.



8 DETAIL 1" = 1'-0"



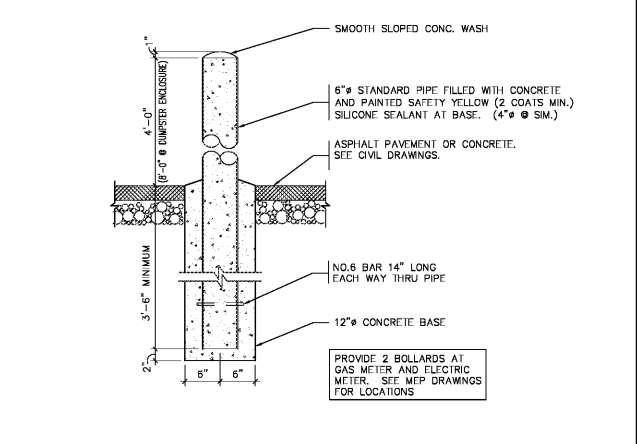
9 DETAIL 1" = 1'-0"



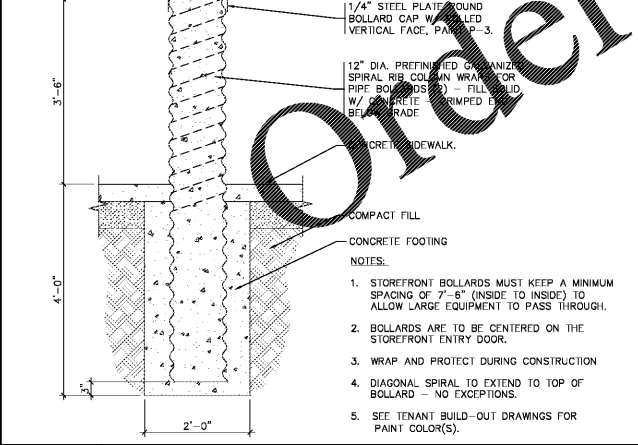
10 DETAIL 1" = 1'-0"



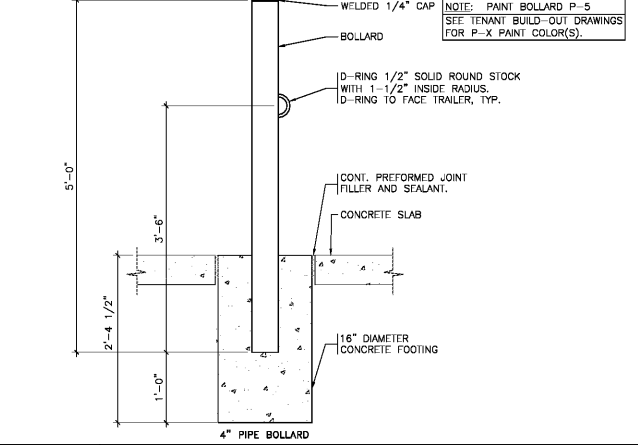
11 DETAIL 1" = 1'-0"



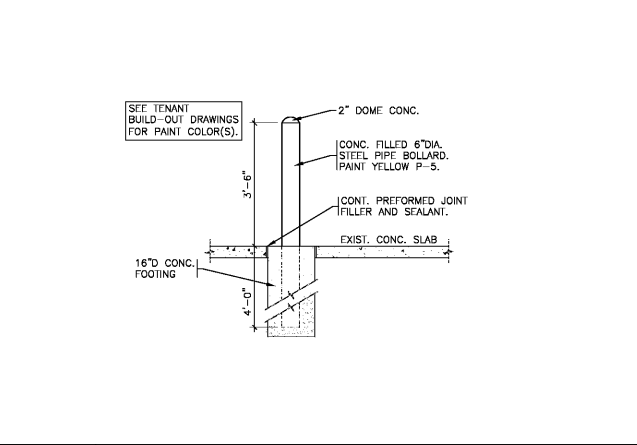
12 DETAIL 1" = 1'-0"



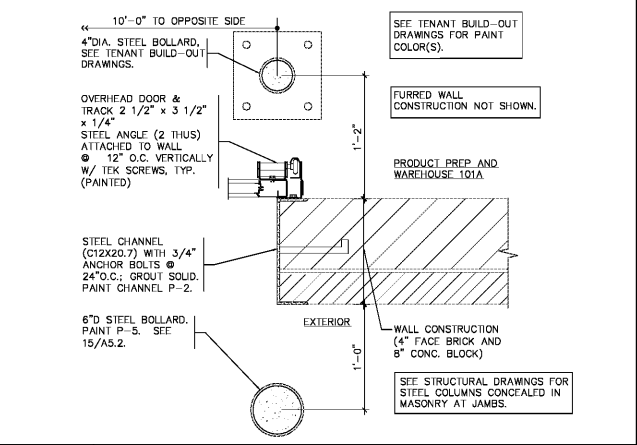
13 SPIRAL BOLLARD DETAIL 3/4" = 1'-0"



14 PERMANENT TRAILER BOLLARD DETAIL 1" = 1'-0"



15 PIPE BOLLARD DETAIL 1/2" = 1'-0"



16 O.H. DOOR JAMB DETAIL 1 1/2" = 1'-0"

Salem Gate
ANCHOR 2B AND RETAIL 2C

1454 AND 1460
OLD SALEM ROAD
CONYERS, GEORGIA

DATE: 03/29/19
PROJECT NO.: 18.110
SCALE: L.P.
SHEET NO.: A5.2 (2)