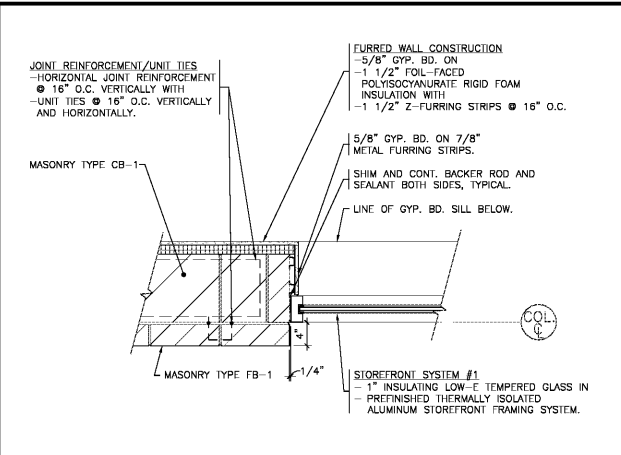


DZA ASSOCIATES, INC.

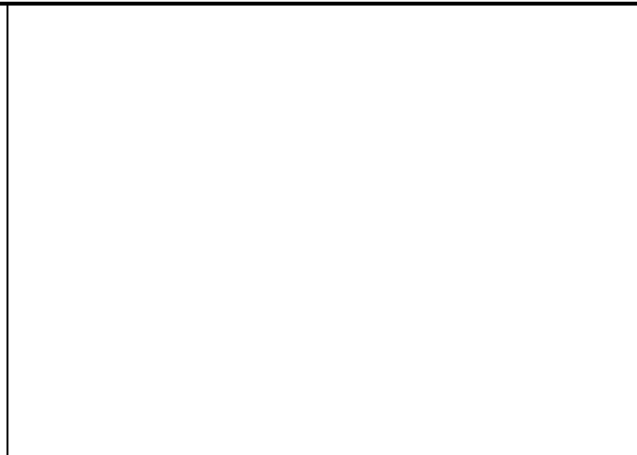
IL REG # 184001714 Suite 233N  
2625 Butterfield Road Oak Brook, Illinois 60523  
Phone 630-230-1020 www.dzarch.com

© 2020 DZA ASSOCIATES, INC. THE PROJECT SHALL BE DEEMED THE AUTHOR OF THESE CONCRETE AND WALL, WITH ALL CONCRETE, STRUCTURE AND OTHER TRADES, INCLUDING COPYRIGHT.

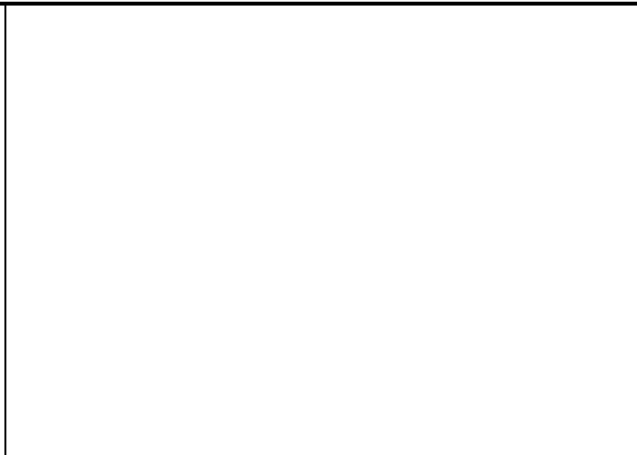
Rev. No.	Description	Date
▲	ISSUED FOR BID AND PERMIT	03/29/19
▲	ISSUED FOR BID	05/30/19
▲	RE-ISSUED FOR BID AND PERMIT	10/16/20



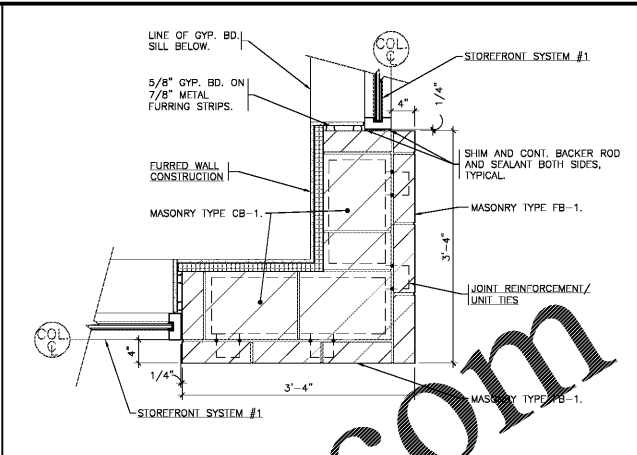
1  
1" = 1'-0" DETAIL - HIGH REFER TO SHEET A4.1 FOR MASONRY TYPES.



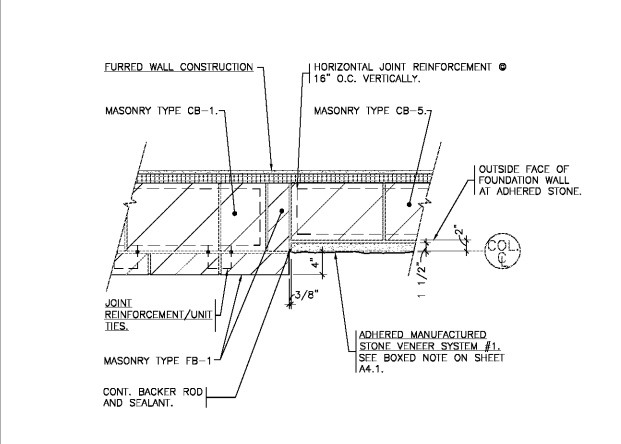
2  
1" = 1'-0" NOT USED



3  
1" = 1'-0" NOT USED



4  
1" = 1'-0" DETAIL - HIGH REFER TO SHEET A4.1 FOR MASONRY TYPES.



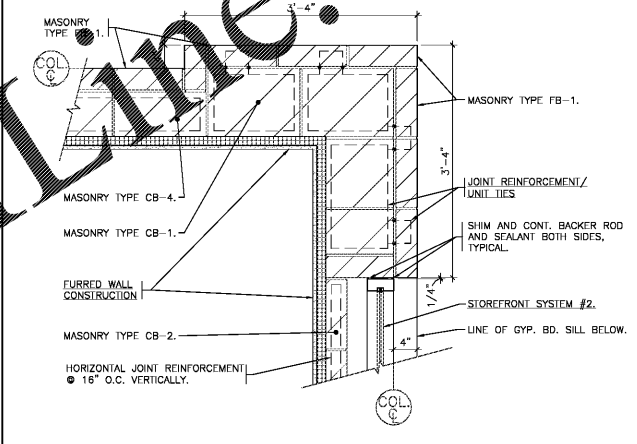
5  
1" = 1'-0" DETAIL - LOW REFER TO SHEET A4.1 FOR MASONRY TYPES.



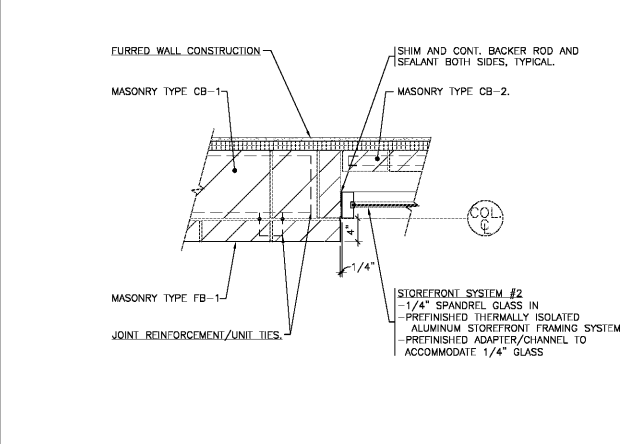
6  
1" = 1'-0" NOT USED



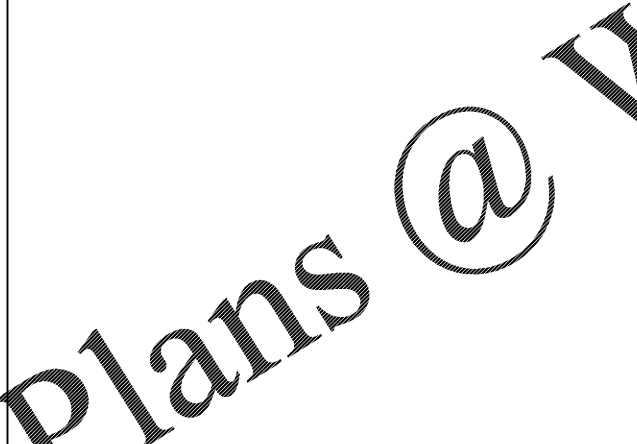
8  
1" = 1'-0" DETAIL - HIGH REFER TO SHEET A4.1 FOR MASONRY TYPES.



8  
1" = 1'-0" DETAIL - HIGH REFER TO SHEET A4.1 FOR MASONRY TYPES.



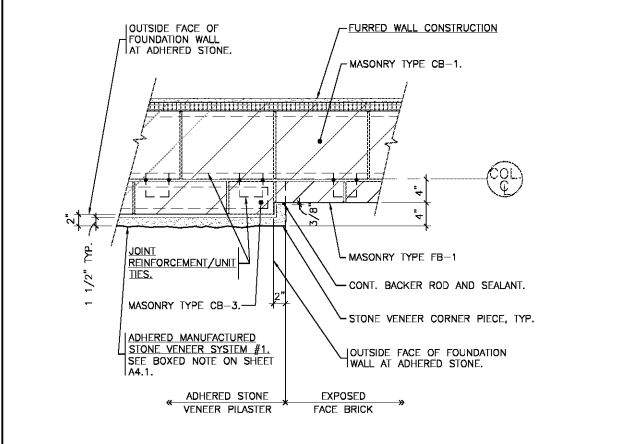
9  
1" = 1'-0" DETAIL - HIGH REFER TO SHEET A4.1 FOR MASONRY TYPES.



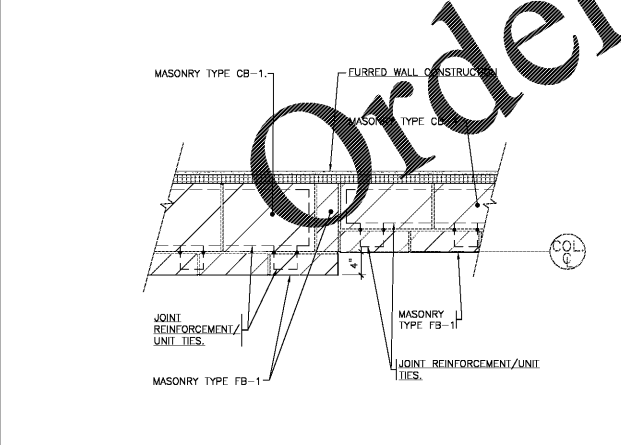
10  
1" = 1'-0" NOT USED



11  
1" = 1'-0" NOT USED



12  
1" = 1'-0" DETAIL REFER TO SHEET A4.1 FOR MASONRY TYPES.



13  
1" = 1'-0" DETAIL - LOW REFER TO SHEET A4.1 FOR MASONRY TYPES.



14  
1" = 1'-0" NOT USED



15  
1" = 1'-0" NOT USED



16  
1" = 1'-0" NOT USED

Order Plans @ WWW.LDILLINE.COM

Salem Gate

ANCHOR 2B AND RETAIL 2C

1454 AND 1460 OLD SALEM ROAD CONYERS, GEORGIA

DETAILS

Date: 03/29/19	Drawn: L.P.	Sheet No: A5.1 (2)
Project No: 18.110	Rev: H.Z.	