

**DZA**  
ASSOCIATES, INC.

REG. # 184-001714  
Suite 233N  
3635 Butterfield Road  
Oak Brook, Illinois 60523  
Phone: 630-230-1620 www.dzarch.com

© 2019 DZA ASSOCIATES, INC.  
THE ARCHITECT SHALL BE DEEMED THE AUTHOR OF THESE DRAWINGS AND SHALL RETAIN ALL OWNERSHIP, INTELLECTUAL PROPERTY AND OTHER RIGHTS, INCLUDING COPYRIGHT.

Rev. No.	Description	Date
▲	ISSUED FOR BID AND PERMIT	03/29/19
▲	ISSUED FOR BID	05/30/19
▲	RE-ISSUED FOR BID AND PERMIT	10/16/20

ANCHOR 2B AND RETAIL 2C  
ROOF PLAN, DETAILS AND NOTES

1845 AND 1460  
OLD SALEM ROAD  
CONYERS, GEORGIA

ANCHOR 2B, AND RETAIL 2C  
ROOF PLAN, DETAILS AND NOTES

DATE: 03/29/19  
BY: L.P.  
PROJECT NO.: 18.110  
SCALE: H.Z.

ANCHOR 2B AND RETAIL 2C  
ROOF PLAN, DETAILS AND NOTES

ANCHOR 2B AND RETAIL 2C  
ROOF PLAN, DETAILS AND NOTES

ANCHOR 2B AND RETAIL 2C  
ROOF PLAN, DETAILS AND NOTES

ANCHOR 2B AND RETAIL 2C  
ROOF PLAN, DETAILS AND NOTES

ANCHOR 2B AND RETAIL 2C  
ROOF PLAN, DETAILS AND NOTES

ANCHOR 2B AND RETAIL 2C  
ROOF PLAN, DETAILS AND NOTES

ANCHOR 2B AND RETAIL 2C  
ROOF PLAN, DETAILS AND NOTES

ANCHOR 2B AND RETAIL 2C  
ROOF PLAN, DETAILS AND NOTES

ANCHOR 2B AND RETAIL 2C  
ROOF PLAN, DETAILS AND NOTES

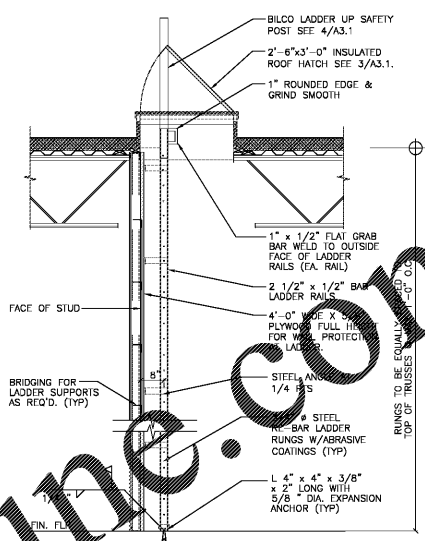
ANCHOR 2B AND RETAIL 2C  
ROOF PLAN, DETAILS AND NOTES

ANCHOR 2B AND RETAIL 2C  
ROOF PLAN, DETAILS AND NOTES

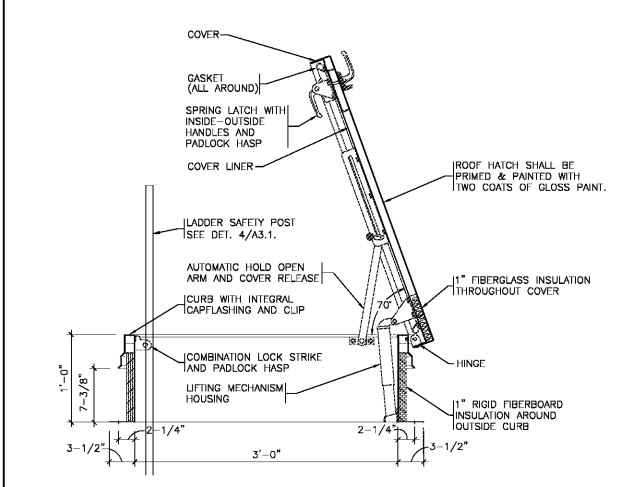
ANCHOR 2B AND RETAIL 2C  
ROOF PLAN, DETAILS AND NOTES

ANCHOR 2B AND RETAIL 2C  
ROOF PLAN, DETAILS AND NOTES

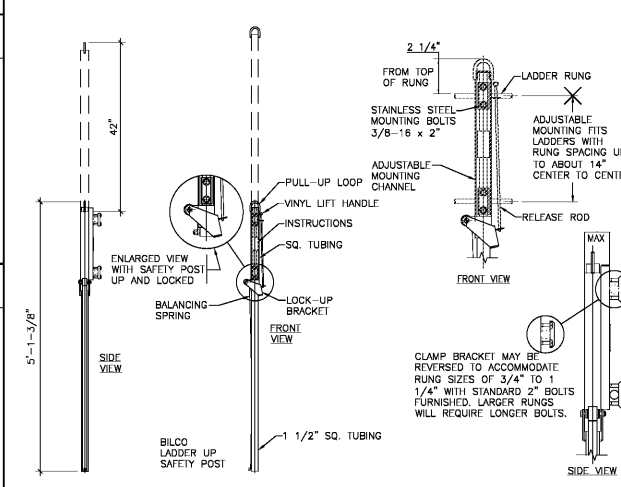
ANCHOR 2B AND RETAIL 2C  
ROOF PLAN, DETAILS AND NOTES



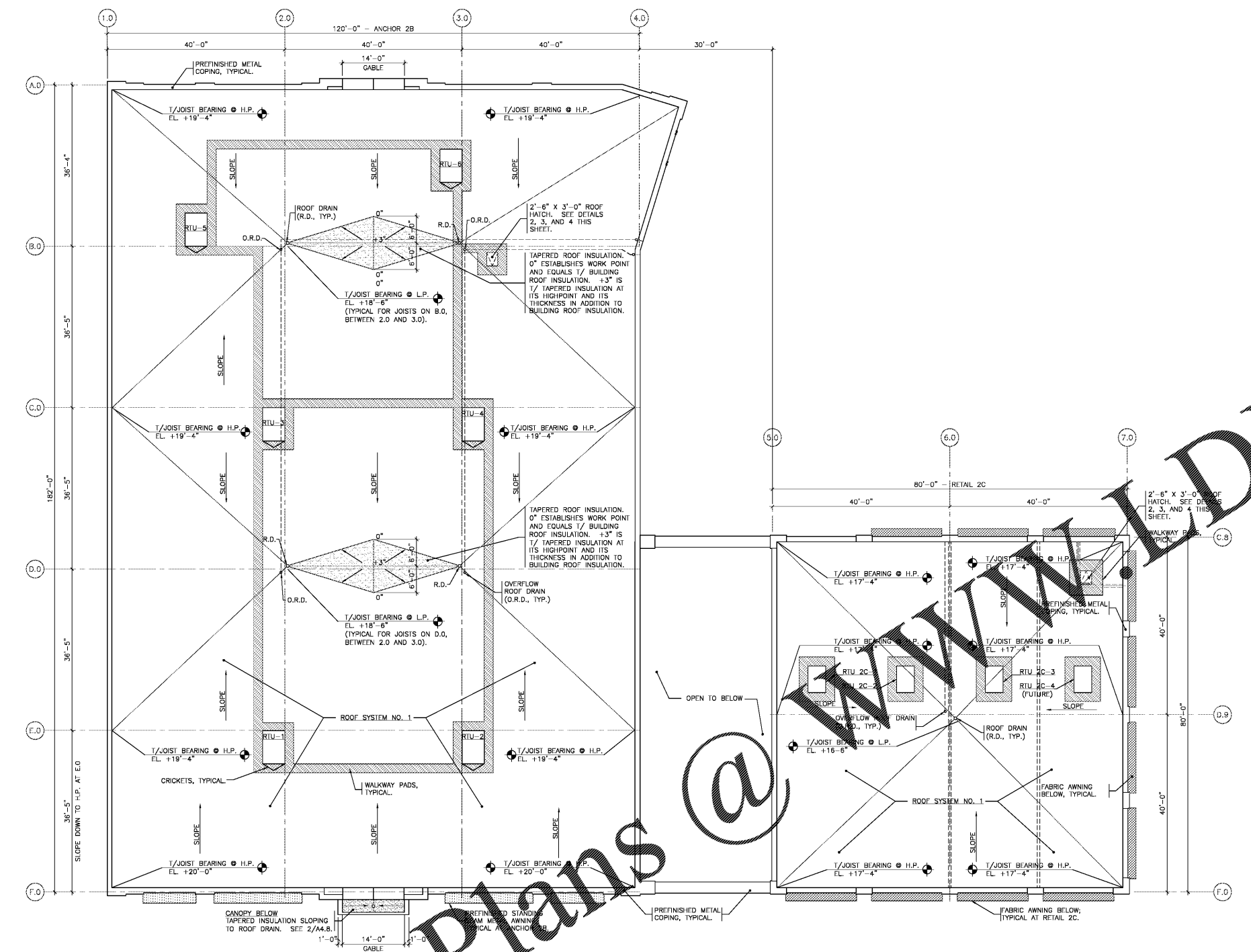
2 SECTION @ ROOF LADDER  
TO SCALE



3 DETAIL - ROOF HATCH  
1/4" = 1'-0"



4 LADDER SAFETY POST @ ROOF HATCH  
NOT TO SCALE



1 ROOF PLAN - ANCHOR 2B AND RETAIL 2C  
3/32" = 1'-0"

**GENERAL NOTES**

- FLASH AND SEAL ALL ROOF-TOP EQUIPMENT AND PENETRATIONS (INCLUDING DRAINS, VENTS, CONDUITS, CURBS, FLUES, ETC.) PER ROOF MANUFACTURER'S INSTRUCTIONS. PROVIDE SHEET METAL COUNTERFLASHING AT ALL CURBED OPENINGS AND PREMOLDED PIPE BOOTS WITH STAINLESS STEEL FASTENERS AT ROOF PENETRATIONS FOR GAS PIPING, CONDUITS, ETC. SECURE ROOF SYSTEM AT PERIMETER AND AT EACH PENETRATION PER ROOF MANUFACTURER'S INSTRUCTIONS.
- PROVIDE INSULATION CRICKETS ON 'HIGH' SIDE OF ROOF-TOP EQUIPMENT. SLOPE AT 1/4" / FT.
- PAINT GAS PIPING EXPOSED ON ROOF WITH 2 COATS OF OSHA SAFETY YELLOW PAINT.
- REFER TO MECHANICAL AND PLUMBING DRAWINGS FOR LOCATIONS OF ADDITIONAL ROOF-TOP EQUIPMENT (I.E. EXHAUST FANS, FLUES, VENTS, ETC.).

**ROOF SYSTEMS**

ROOF SYSTEM NO. 1  
ROOF SYSTEM SHALL BE INSTALLED IN ACCORDANCE WITH THE ROOF MANUFACTURER'S INSTRUCTIONS FOR 90 MPH BASIC WIND SPEED AND FACTORY MUTUAL'S REQUIREMENTS FOR 1-80 UPLIFT RESISTANCE. COMPONENTS OF THE ROOF SYSTEM INCLUDE, BUT ARE NOT LIMITED TO, THE FOLLOWING ITEMS:

- SINGLE PLY, FULLY ADHERED TPO (60 MIL) ON
- INVNSA COVERED BOARD ADHERED IN 2-PART U/A ADHESIVE ON
- R-20 LTR (2 LAYERS); 2" AND 1 1/2" RIGID INSULATION (ENRGY 3 POLYISOCYANURATE). FIRST LAYER IS 2" AND MECHANICALLY FASTENED THROUGH ROOF DECK. SECOND LAYER IS 1 1/2" AND ADHERED TO FIRST LAYER WITH STAGGERED JOINTS ON
- METAL ROOF DECK

NOTE: INVNSA COVER BOARD FOR ANCHOR 2B ONLY.

Order Plans @

WWW.DIAGRAMS.COM