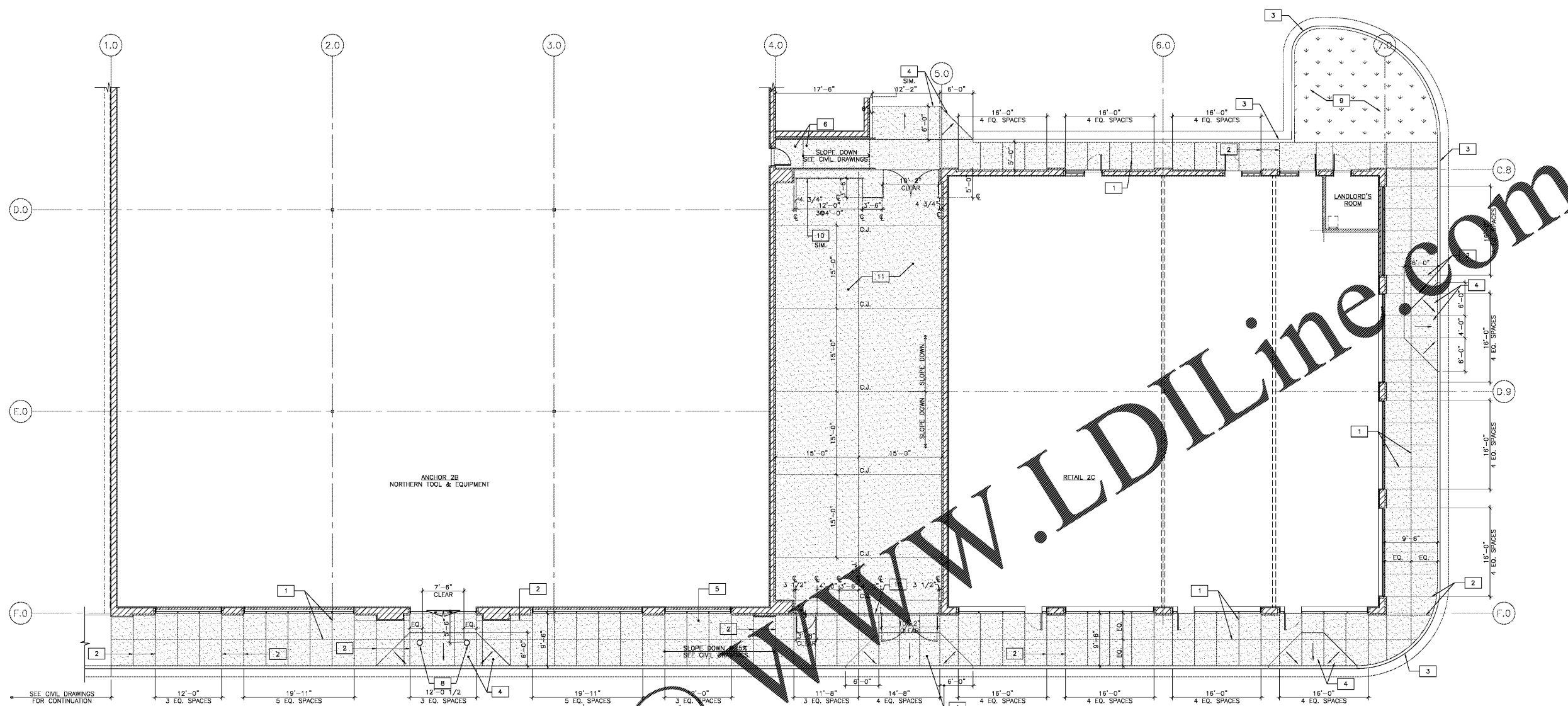


DZA ASSOCIATES, INC.

11 REG. # 104-001714 Suite 233N  
2635 Butterfield Road Oak Brook, Illinois 60523  
Phone: 630-230-1620 www.dzarch.com

© 2019 DZA ASSOCIATES, INC. THE ARCHITECT SHALL BE DEEMED THE AUTHOR OF THESE DRAWINGS AND SHALL RETAIN ALL OWNERSHIP, INTELLECTUAL PROPERTY AND OTHER RIGHTS, INCLUDING COPYRIGHT.

Rev. No.	Description	Date
▲	ISSUED FOR BID AND PERMIT	03/29/19
▲	ISSUED FOR BID	05/30/19
▲	RE-ISSUED FOR BID AND PERMIT	10/16/20



1 SIDEWALK PLAN - ANCHOR 2B, RETAIL 2C

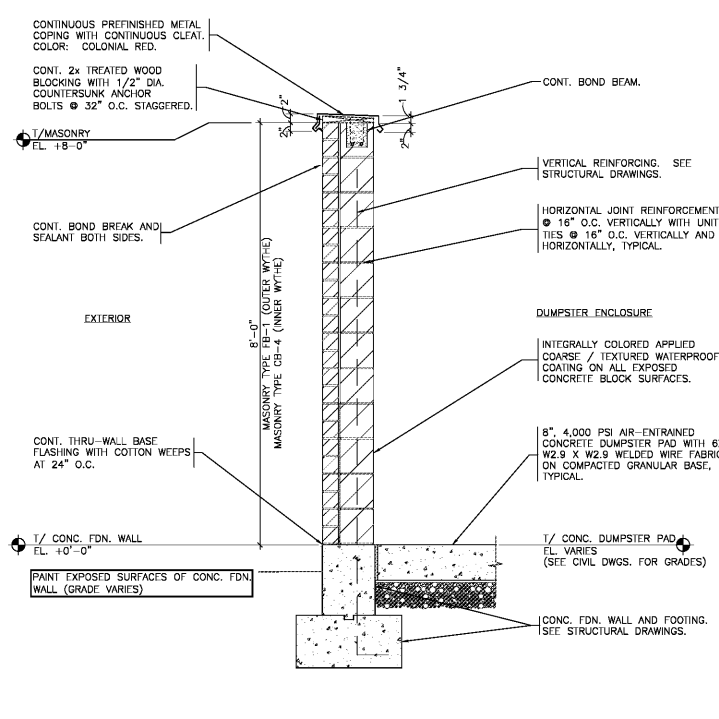
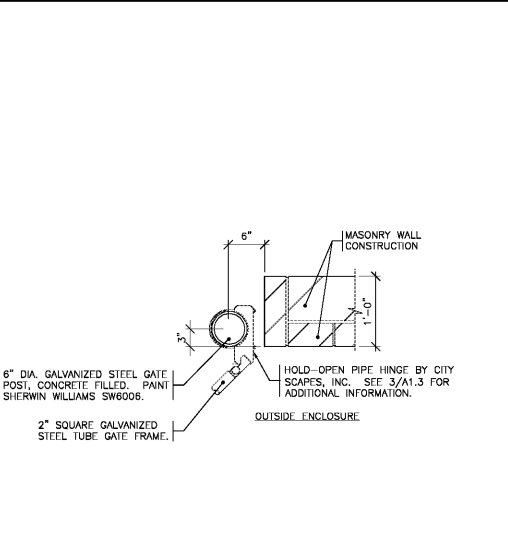
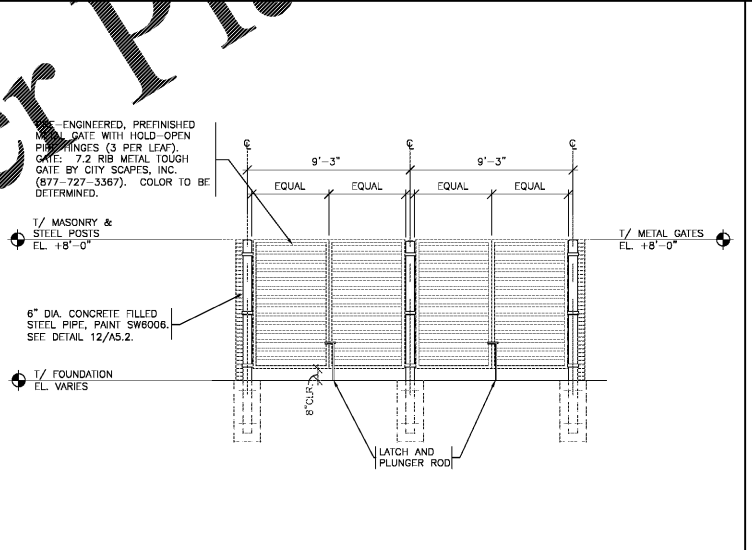
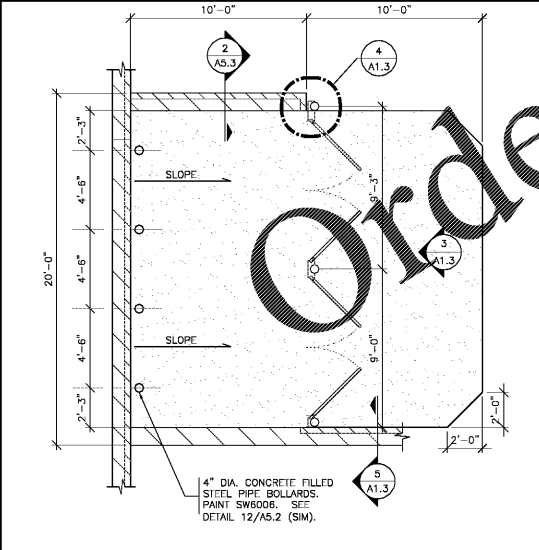
1/8" = 1'-0"



THIS PLAN PREPARED TO LOCATE SIDEWALK CONTROL JOINTS. REFER TO CIVIL DRAWINGS FOR SITE DIMENSIONS, LAYOUT AND CONSTRUCTION REQUIREMENTS OF SITE AMENITIES, (E.G. PARKING STALLS, LANDSCAPING, CURB RAMPS, CURBS, PAVEMENT TYPES, ETC.).

KEYNOTES

- 1 TOOLED CONTROL JOINT, TYPICAL.
- 2 ALIGN CONTROL JOINT WITH FACE OF PLASTER, TYP.
- 3 CONCRETE CURB AND GUTTER. SEE CIVIL DRAWINGS.
- 4 CURB RAMP AND FLARED SIDES; MAX. SLOPE 1:12 TYP. 1/CONC. CURB TO BE FLUSH WITH 1/ASPHALT AT TRANSITION. 2/CURB RAMP AND FLARED SIDES TO BE FLUSH WITH 1/ASPHALT AT TRANSITION SIM.
- 5 SLOPING SIDEWALK @ 5% SLOPE (1:20). SEE CIVIL DRAWINGS FOR ADDITIONAL INFORMATION.
- 6 CONC. LANDING AND RAMP. SEE A5.3 FOR ADDITIONAL INFORMATION.
- 7 NOT USED.
- 8 CONCRETE FILLED SPIRAL BOLLARD. SEE A1.3/A5.2.
- 9 LANDSCAPING. SEE CIVIL DRAWINGS FOR ADDITIONAL INFORMATION.
- 10 PREFINISHED BLACK 6'-0" HIGH COMMERCIAL ORNAMENTAL STEEL FENCE WITH (1) 3'-4" WIDE SINGLE SWING GATE AND (2) 4'-10 3/4" LEAF WIDTH EACH, DOUBLE SWING GATE (122" CLEAR OPENING). DESIGN REFERENCE: MAJESTIC 3-RAIL FENCE AND GATES WITH 2.5" X 12 GA. SQUARE POSTS WITH STANDARD FLAT CAP AND 42" DEEP CONC. FOOTING (AEGIS PLUS BY AMERISTAR FENCE PRODUCTS). NO SINGLE SWING GATE SIM.
- 11 5" CONCRETE SLAB OUTDOOR TRAILER DISPLAY AREA FOR NORTHERN TOOL + EQUIPMENT. SEE INTERIOR BUILD-OUT DRAWINGS FOR NORTHERN TOOL + EQUIPMENT FOR ADDITIONAL INFORMATION. SEE SHEET A1.2 FOR SLAB DESIGN.



2 DUMPSTER ENCLOSURE PLAN  
1/4" = 1'-0"

3 DUMPSTER GATE ELEVATION  
1/4" = 1'-0"

4 INDUSTRIAL HINGE DETAIL  
N.T.S.

5 WALL SECTION  
3/4" = 1'-0"



ANCHOR 2B AND RETAIL 2C

1454 AND 1460 OLD SALEM ROAD  
CONYERS, GEORGIA

ANCHOR 2B, RETAIL 2C COMPOSITE SIDEWALK PLAN, KEYNOTES, AND DETAILS

Date:	03/29/19	Drawn:	L.P.	Sheet No.:	A1.3
Project No.:	18.110	Check:	H.Z.		(2)