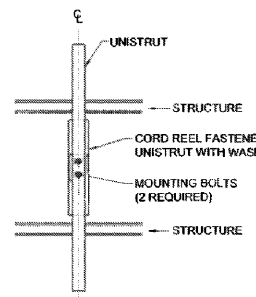


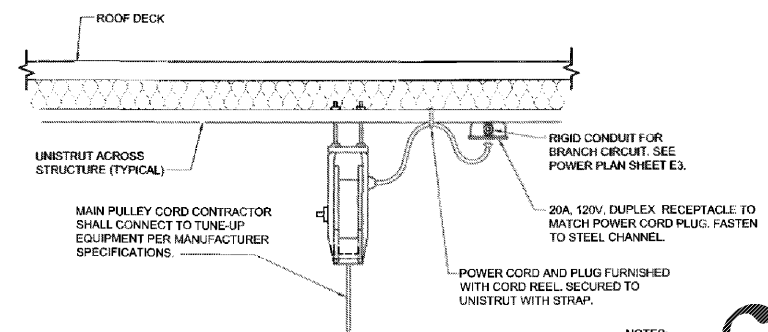
1 CORD REEL LIGHT DETAIL
E4 SCALE: N.T.S.



TOP VIEW

NOTES:

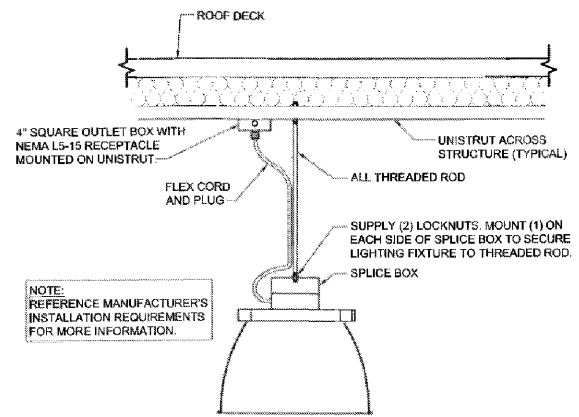
- CORD REEL LIGHT TO BE FURNISHED BY BSRO AND INSTALLED BY CONTRACTOR.
- WHEREVER OTHER CEILING CONDITIONS EXIST, CONTRACTOR SHALL ADAPT ANOTHER APPROVED METHOD OF SECURING CORD REEL LIGHT TO CEILING TRUSS.
- LIGHT REEL SET PINS TO BE REPLACED WITH THREADED BOLTS AND HARDWARE.



2 POWER CORD REEL DETAIL
E4 SCALE: N.T.S.

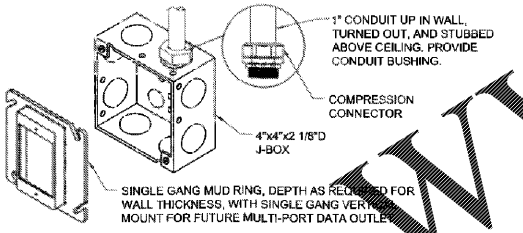
NOTES:

- POWER CORD REEL TO BE FURNISHED BY BSRO AND INSTALLED BY CONTRACTOR.
- ALL MATERIALS FOR THIS DETAIL SHALL BE FURNISHED & INSTALLED BY CONTRACTOR UNLESS OTHERWISE NOTED.



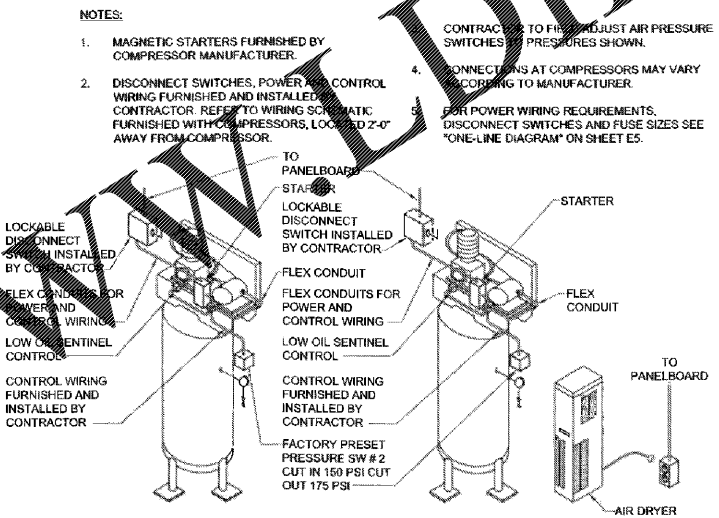
3 TYPICAL LIGHT FIXTURE TYPE "F" MOUNTING DETAIL
E4 SCALE: N.T.S.

NOTE: REFERENCE MANUFACTURER'S INSTALLATION REQUIREMENTS FOR MORE INFORMATION.

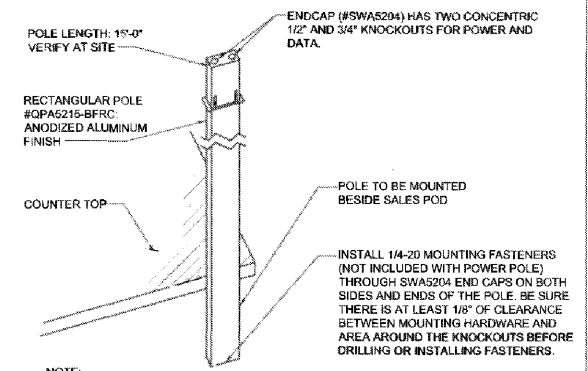


4 TYPICAL MUD RING JUNCTION BOX DETAIL
E4 SCALE: N.T.S.

NOTE: PROVIDE BLANK COVERS REQUIRED.



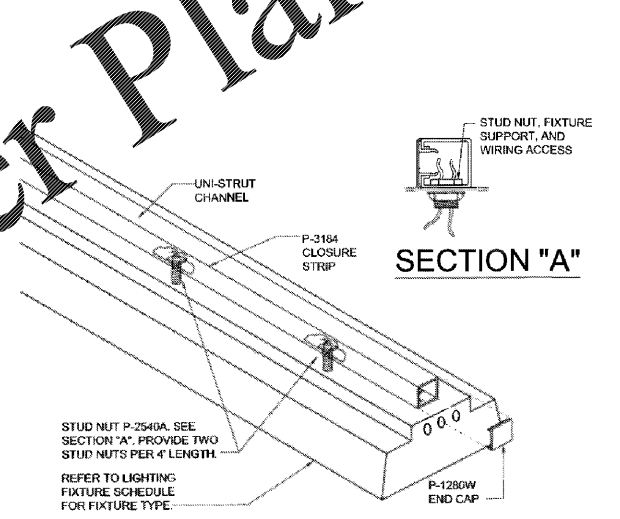
5 VERTICAL AIR COMPRESSOR DETAIL
E4 SCALE: N.T.S.



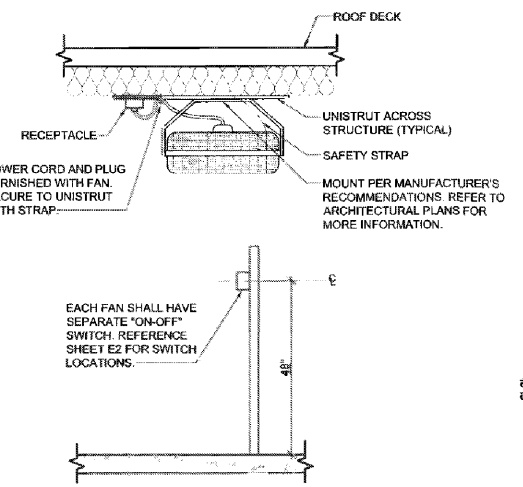
6 DATA / POWER POLE DETAIL
E4 SCALE: N.T.S.

NOTE: POWER POLE AND ACCESSORIES BY 'MONO-SYSTEMS INC.' FURNISHED BY OWNER PER SHEET F2, INSTALLED BY CONTRACTOR.

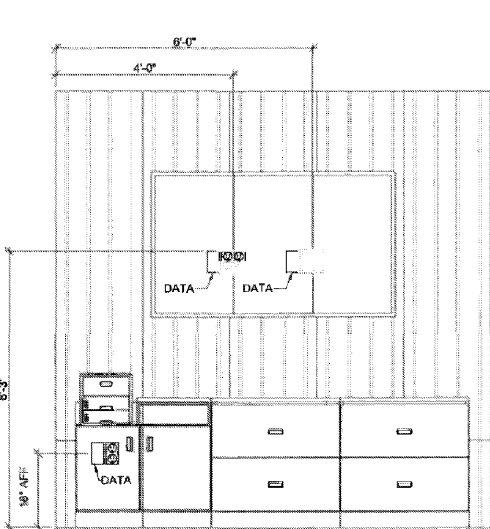
Order Plans @ WWW.DIline.com



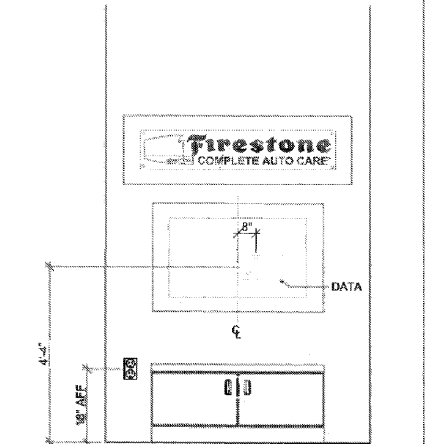
7 TYPICAL LIGHT FIXTURE MOUNTING DETAIL
E4 SCALE: N.T.S.



8 TYPICAL FAN MOUNTING DETAIL
E4 SCALE: N.T.S.



9 MENU BOARDS ELEVATION
E4 SCALE: N.T.S.



10 BOSS TV ELEVATION
E4 SCALE: N.T.S.

ACERTUS CONSULTING GROUP, LLC
14817 Van Dine Drive • Lenexa, Kansas 66151
P: 781.329.9100 • F: 781.329.9118
www.acertusgroup.com • P: 03/25/18

THIS DRAWING IS THE PROPERTY OF FIRESTONE METAL OPERATIONS, LLC AND IS LOANED ON THE EXPRESS CONDITION THAT IT IS NOT TO BE USED IN ANY WAY, INCLUDING BUT NOT LIMITED TO THE REPRODUCTION, REUSE, OR DISTRIBUTION OF ANY PARTS THEREOF, WITHOUT THE WRITTEN PERMISSION OF FIRESTONE METAL OPERATIONS, LLC. PERMISSION TO REPRODUCE THIS DRAWING IS GRANTED TO THE EXCLUSIVE OWNER AND TO THE DRAWING BY FIRESTONE METAL OPERATIONS, LLC.

NEW FCAC STORE
2020 I
288 DAWSONVILLE HIGHWAY SW
GAINESVILLE, GA 30501

ISSUE BLOCK	
1	07/20/20 REV #1
2	10/02/20 REV #2
3	10/16/20 REV #4
4	11/13/20 IFC

PROPERTY NO.:	160108
6 DIGIT NO.:	908074
4 DIGIT NO.:	78H3
ACR PROJECT NUMBER:	1959855
TO PERMIT DATE:	04/08/20
TO BID DATE:	##-##-##

SHEET TITLE:
ELECTRICAL DETAILS

SHEET NUMBER:
E4

Nov 12, 2020 1:28pm - USER: lenexa\c...
C:\Users\lenexa\OneDrive\Engineering\2020\03\barco - g08hesville\90\Sheets\E4_ELECTRICAL_DETAIL.dwg