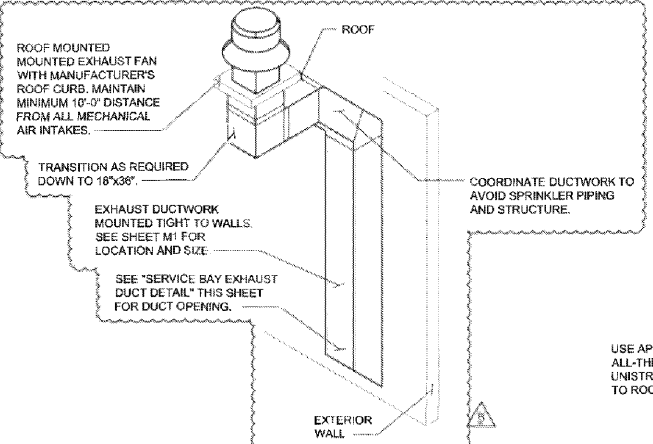
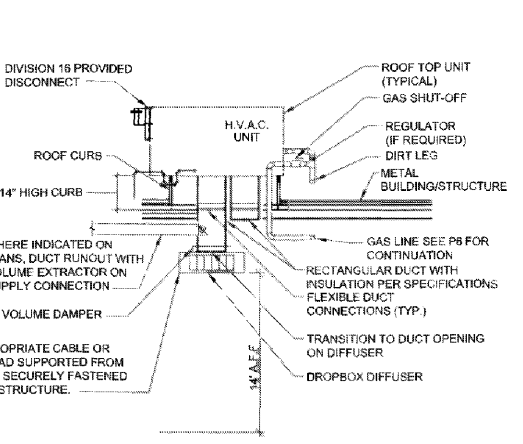


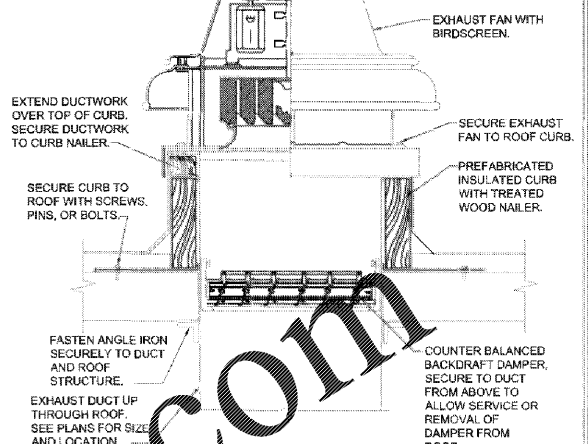
**1 ROOFTOP UNIT PIPING DETAIL**  
M2 N.T.S.



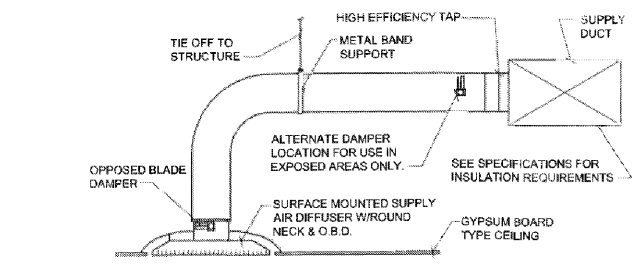
**2 SERVICE BAY EXHAUST FAN**  
M2 N.T.S.



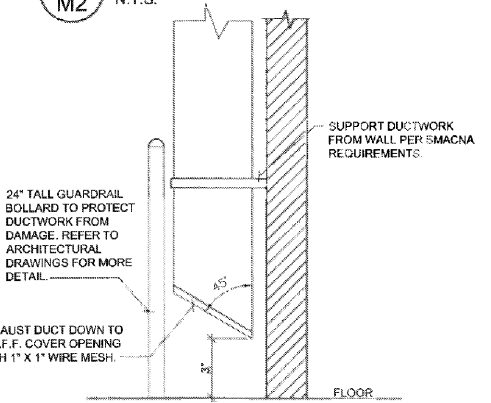
**3 RTU PACKAGE HVAC DETAIL**  
M2 N.T.S.



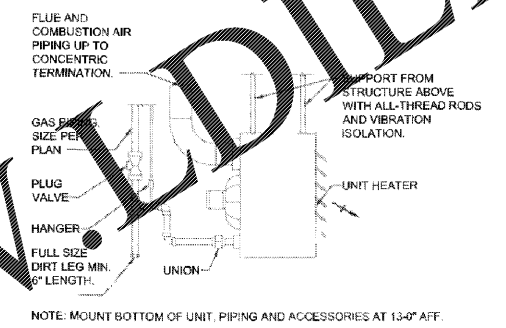
**4 ROOF MOUNTED EXHAUST FAN DETAIL**  
M2 N.T.S.



**5 SUPPLY AIR DIFFUSER DETAIL**  
M2 N.T.S.



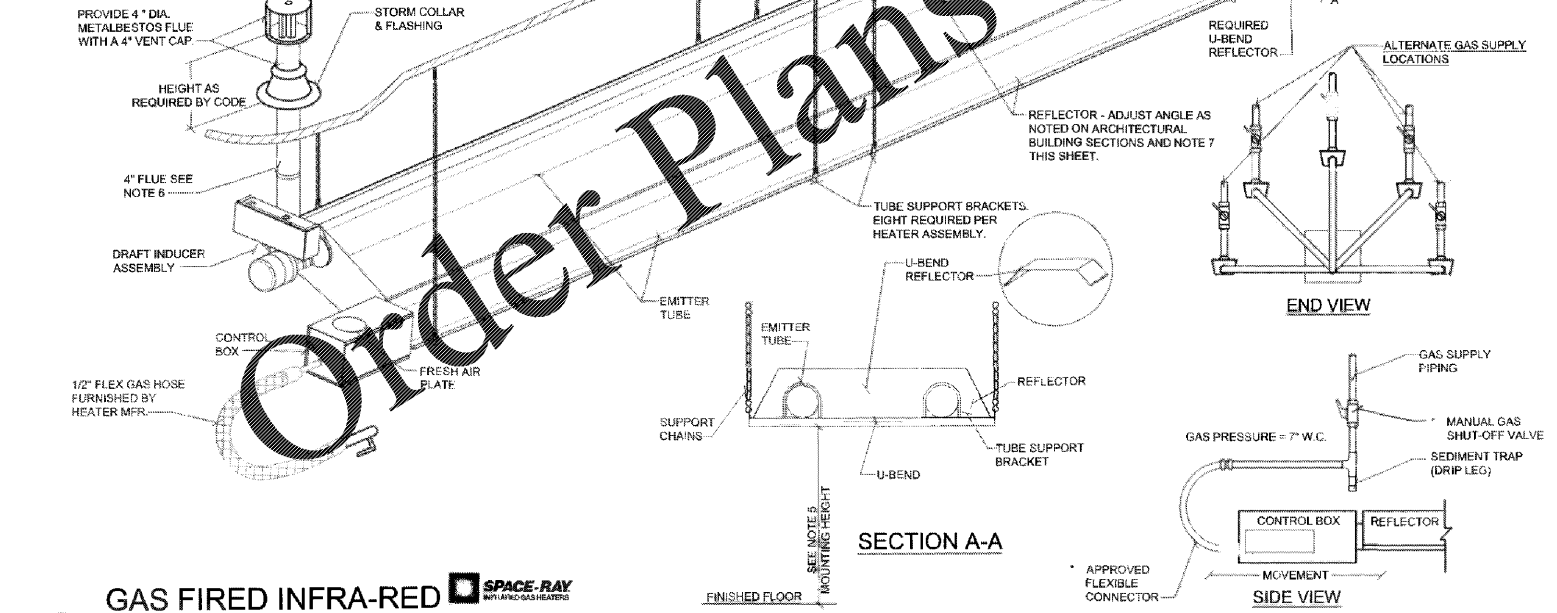
**6 SERVICE BAY EXHAUST DUCT DETAIL**  
M2 N.T.S.



**7 GAS FIRED UNIT HEATER DETAIL**  
M2 N.T.S.

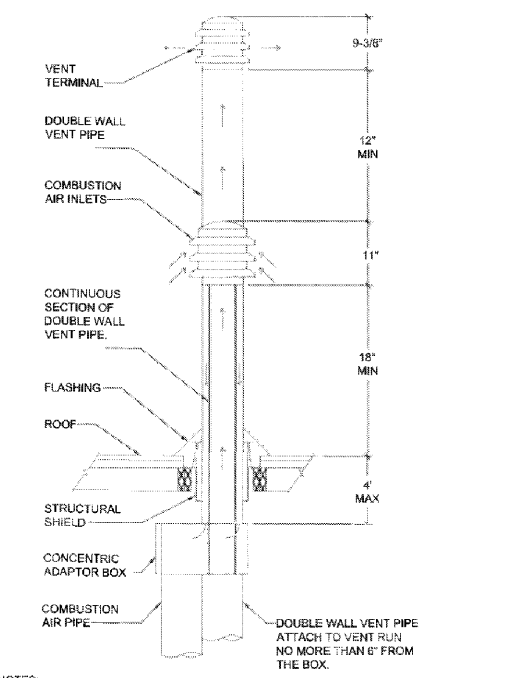
**INFRARED HEATER NOTES**

1. INFRARED HEATERS SHALL BE FURNISHED & INSTALLED BY CONTRACTOR. ALL NECESSARY MOUNTING HARDWARE INCLUDING BRACKETS AND WIRE HANGERS ARE CONTRACTOR RESPONSIBILITY.
2. THE HEATER IS SHIPPED PARTIALLY ASSEMBLED. FOLLOW MANUFACTURER'S INSTRUCTIONS TO CONNECT BODY PACKAGES AND CONTROL / EXHAUSTER ASSEMBLIES.
3. CHAIN SETS ARE REQUIRED AT THE POINTS SHOWN TO PROVIDE THE FLEXIBILITY NECESSARY TO ALLOW FOR HEATER EXPANSION & CONTRACTION.
4. REFER TO MANUFACTURER'S INSTALLATION MANUAL FURNISHED WITH HEATER FOR ADDITIONAL DATA.
5. INSTALL HEATER AT HEIGHT SHOWN ON ARCHITECTURAL SHEET A5. REFER TO MANUFACTURER'S INSTALLATION MANUAL FOR ALL CLEARANCES REQUIRED TO COMBUSTIBLES, BELOW AND ABOVE UNIT.
6. INSTALL FLUE ASSEMBLY TO CLEAR LIGHT FIXTURES & EQUIPMENT AND TO PENETRATE ROOF PAST THE RIDGE VENT. SEE ROOF PLAN.
7. CONTRACTOR SHALL ROTATE RADIANT HEATER TO A 30° DEG ANGLE PER MANUFACTURER'S INSTRUCTIONS.



**8 GAS FIRED INFRA-RED U-TUBE HEATER DETAIL**  
M2 N.T.S.

DETAIL BY MANUFACTURER FOR REFERENCE ONLY.



**9 CONCENTRIC FLUE DETAIL**  
M2 N.T.S.

**GENERAL DETAIL NOTES**

1. SUSPEND UNIT HEATERS FROM UNISTRUT CHANNELS MOUNTED TO ROOF TRUSS WITH VIBRATION ISOLATORS EQUIPPED HANGER RODS OR AN APPROVED EQUAL METHOD.
2. ALL EQUIPMENT FURNISHED BY CONTRACTOR SHALL HAVE MAGNETIC STARTERS OF SIZE AND CAPACITIES AS REQ'D. FOR PROPER EQUIPMENT OPERATION. FURNISH WEATHERPROOF BOXES (NEMA 3R) FOR EXTERIOR USE.
3. EXTEND ALL METALBESTOS FLUES OF DIAMETERS SHOWN THROUGH ROOF TO HEIGHT REQUIRED BY CODE WITH ALUMINUM ROUND TOP. PROVIDE VENTILATING THIMBLE THROUGH ROOF FOR CLEARANCE AROUND STACK AND SUPPORT SECURELY. PROVIDE WEATHER TIGHT RAIN COLLAR AND FLASHING AT PENETRATION.
4. ALL THERMOSTATS TO BE FURNISHED BY HVAC CONTRACTOR TO ELECTRICAL CONTRACTOR FOR INSTALLATION.
5. FURNISH AND INSTALL UL RATED FIRE DAMPERS W/FUSIBLE LINKS AND ACCESS PANELS IN DUCT WORK AT PENETRATIONS OF FIRE RATE ASSEMBLIES AS REQUIRED BY CODE.
6. WIRING SCHEMATICS OF ALL HVAC EQUIPMENT SHALL BE FURNISHED BY HVAC CONTRACTOR TO ELECTRICAL CONTRACTOR.
7. ADJUST ALL FANS TO PROPER RPM TO ASSURE CFM REQUIRED AND BALANCE ALL GRILLES AND DIFFUSERS TO CFM SHOWN ON DRAWINGS. (±5%)
8. WHERE DRAWINGS AND SPECIFICATIONS EXCEED GOVERNING CODE REQUIREMENTS, DESIGN SHALL GOVERN. INSTALL NO WORK CONTRARY TO OR BELOW MINIMUM LEGAL STANDARDS, WHETHER DRAWINGS AND SPECIFICATIONS FULLY COMPLY OR NOT.
9. ROUTE ALL PIPING TIGHT TO CEILING AND WALLS, PARALLEL AND PERPENDICULAR TO BUILDING STRUCTURE WHERE POSSIBLE.
10. ALL SHUT OFF VALVES TO BE ACCESSIBLE TO ASSOCIATES WITHOUT THE USE OF A LADDER OR STEP-STOOL.



**NEW HVAC STORE**  
2020 I  
283 DAWSONVILLE HIGHWAY SW  
GAINESVILLE, GA 30501



ISSUE BLOCK	
07/20/20	REV #1
10/02/20	REV #2
10/16/20	REV #3
11/13/20	IFC

PROPERTY NO.: 160109  
6 DIGIT NO.: 908074  
4 DIGIT NO.: 7543  
AOR PROJECT NUMBER: 1955855  
TO PERMIT DATE: 04/09/20  
TO BID DATE: ##-##-##

SHEET TITLE  
**MECHANICAL DETAILS**

SHEET NUMBER:  
**M2**

Nov 12, 2020 - 1:28pm - USER: kmCallina - G:\plogastore-firestone (enr\engineering)\2020\1031\_bara - gainesville\_ga\Shereis\_M2\_MECHANICAL\_DETAILS.dwg