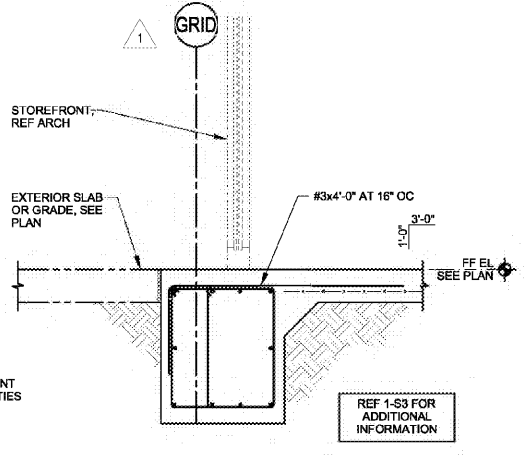
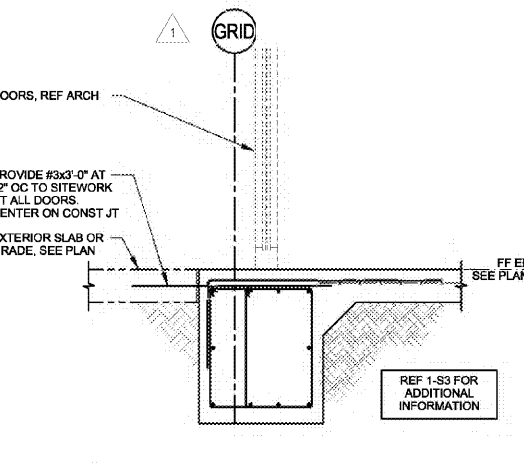


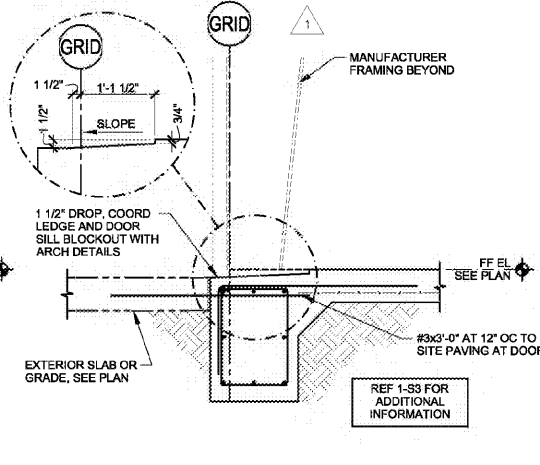
1 EXTERIOR FOOTING DETAIL
S3 SCALE: 3/4" = 1'-0"



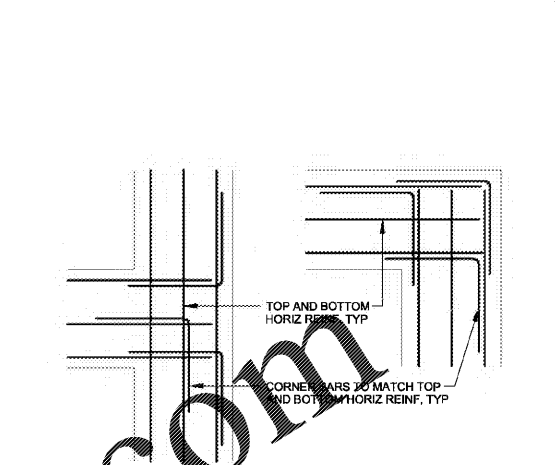
2 EXTERIOR FOOTING DETAIL
S3 SCALE: 3/4" = 1'-0"



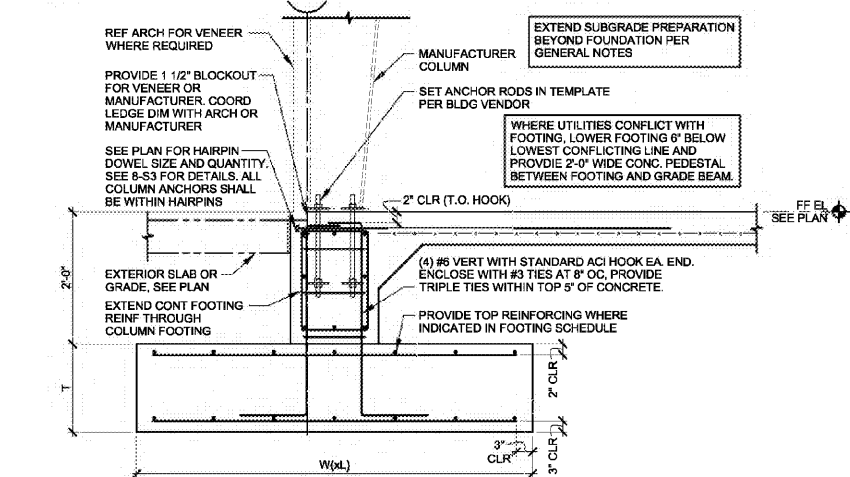
3 DOOR SECTION
S3 SCALE: 3/4" = 1'-0"



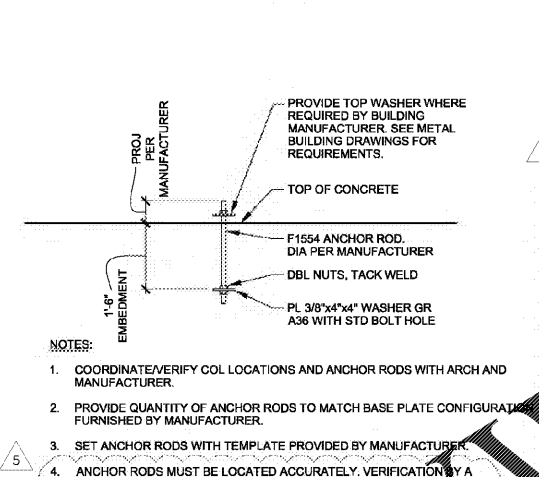
4 OVERHEAD DOOR SECTION
S3 SCALE: 3/4" = 1'-0"



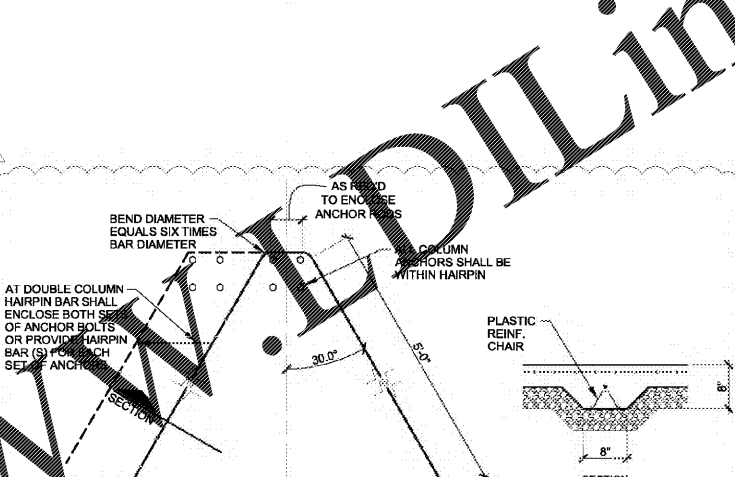
5 CORNER BAR REINFORCING
S3 SCALE: 3/4" = 1'-0"



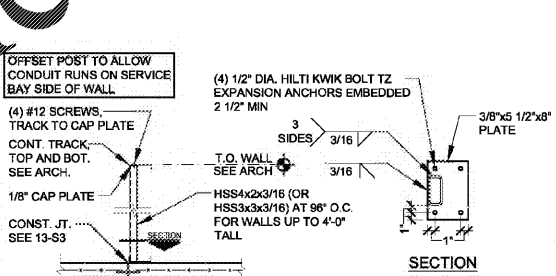
6 SECTION AT PERIMETER COLUMN FOOTING
S3 SCALE: 3/4" = 1'-0"



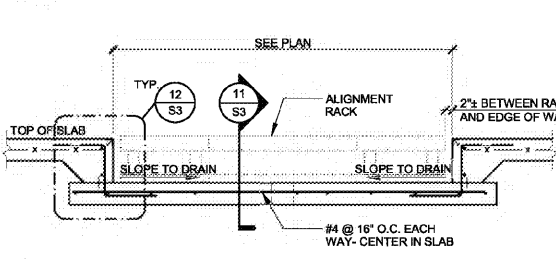
7 TYPICAL ANCHOR RODS
S3 SCALE: 3/4" = 1'-0"



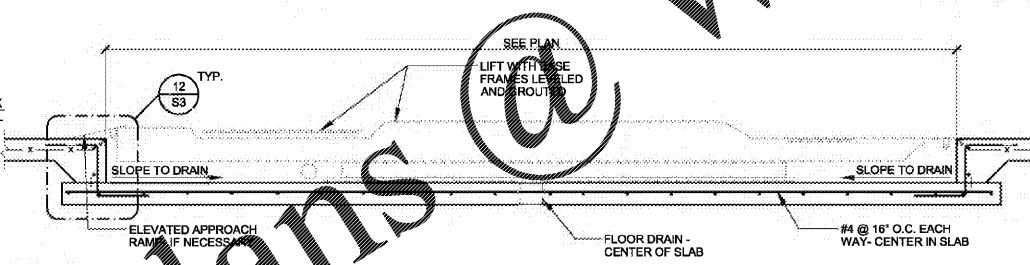
8 TYPICAL HAIRPIN DETAIL
S3 SCALE: 3/4" = 1'-0"



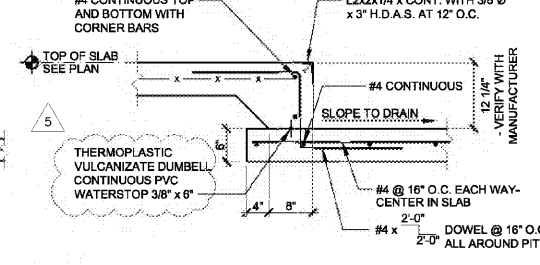
9 KNEE WALL SECTION
S3 SCALE: 1/2" = 1'-0"



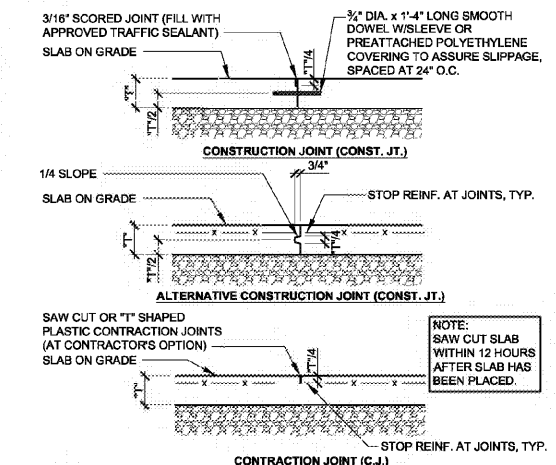
10 SECTION AT ALIGNMENT SLAB
S3 SCALE: 1/2" = 1'-0"



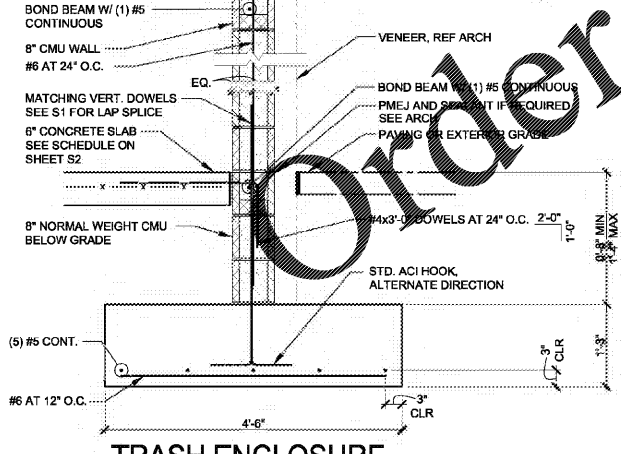
11 SECTION AT ALIGNMENT SLAB
S3 SCALE: 1/2" = 1'-0"



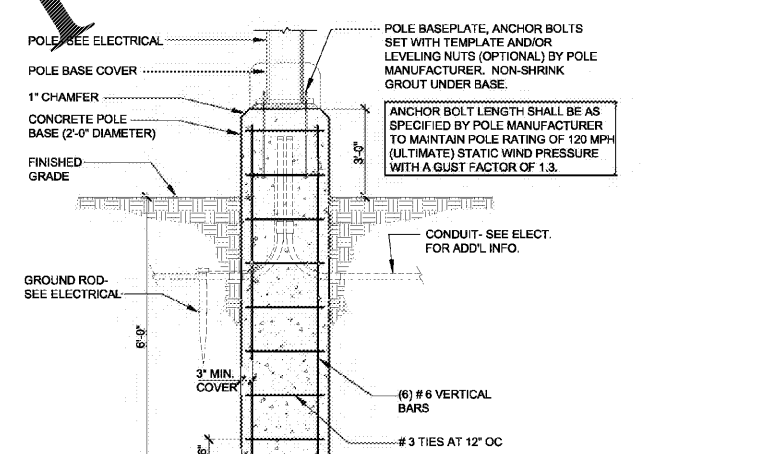
12 SECTION DETAIL
S3 SCALE: 3/4" = 1'-0"



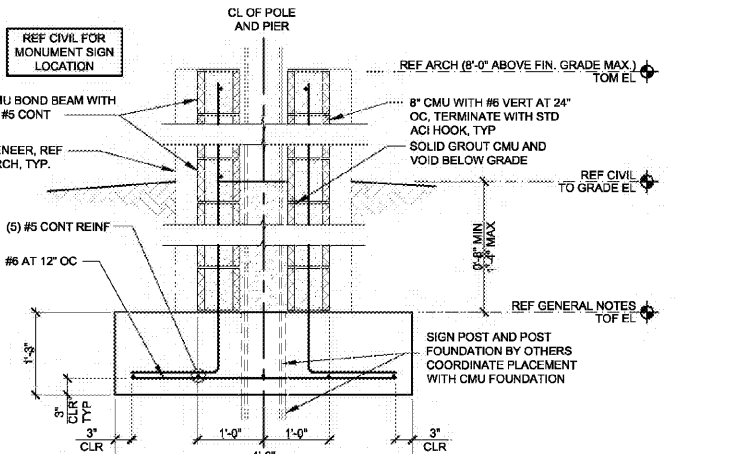
13 TYP. SLAB JOINT DETAILS
S3 SCALE: 1" = 1'-0"



14 TRASH ENCLOSURE SCREEN WALL SECTION
S3 SCALE: 3/4" = 1'-0"



15 LIGHT POLE FOUNDATION
S3 SCALE: 1/2" = 1'-0"



16 CMU BASE AT MONUMENT SIGN
S3 SCALE: 3/4" = 1'-0"



NEW FCAC STORE
2020 I
283 DAWSONVILLE HIGHWAY SW
GAINESVILLE, GA 3501



ISSUE BLOCK	
REV	07/20/20
IFC	11/13/20
PROPERTY NO.:	180109
6 DIGIT NO.:	908074
4 DIGIT NO.:	78H3
AOR PROJECT NUMBER:	1955855
TO PERMIT DATE:	04/08/20
TO BID DATE:	###-##-##
SHEET TITLE: FOUNDATION DETAILS	
SHEET NUMBER: S3	

Nov 12, 2020 - 1:26pm - USER: Coby Brown
\\Struct-Server\Volume\BSPRO\1912728 - Gainesville, GA\Struct\1912728_S3.dwg