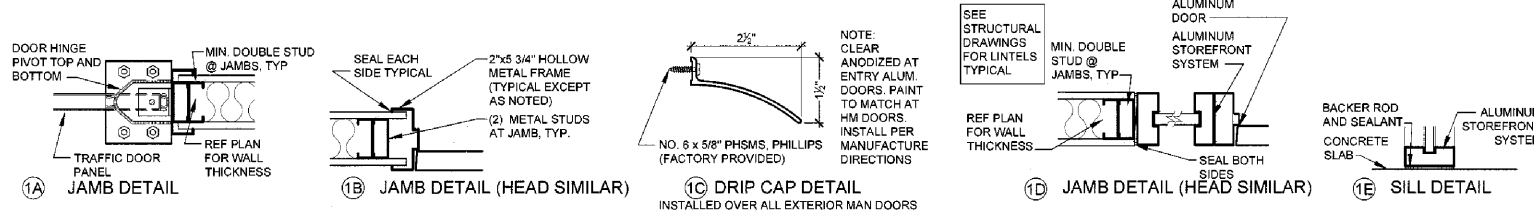


DOOR SCHEDULE												NOTE: CONTRACTOR TO FURNISH AND INSTALL ALL DOORS, DOOR FRAMES, SIGNS AND HARDWARE	
MARK	ROOM NAME	TYPE	QTY	DOOR		FRAME		TYPE	LABEL	SIGN	DETAIL	REMARKS	
				SIZE WxHxT	MATL	FINISH	MATL						FINISH
01	CUSTOMER SHOWROOM	F	1	3'-0" X 7'-0" X 1 3/4"	AL	BLACK ANODIZED	AL	BLACK ANODIZED	P	-	EXIT	5/A6	SEE-D04, D14, D15 & D17
02	CUSTOMER SHOWROOM	F	1	3'-0" X 7'-0" X 1 3/4"	AL	BLACK ANODIZED	AL	BLACK ANODIZED	P	-	-	1-D1A8	SEE-D04
03	OFFICE	H	1	3'-0" X 7'-0" X 1 3/4"	HM	PT-1	HM	PT-1	P	-	OFFICE	1-B1A8	SEE-D06, D13 & D15
04	UNISEX TOILET	G	1	3'-0" X 7'-0" X 1 3/4"	HM	PT-1	HM	PT-1	P	-	REST ROOM	1-B1A8	SEE-D10, D13 & D15
05	BREAK AREA	L	1	3'-0" X 7'-0" - TRAFFIC	PE	MANUFACTURER'S GRAY	HM	PT-1 (BREAK AREA) PT-4 (INVENTORY)	P	-	BREAKROOM	1-A1A8	SEE-D06, D07, D08, D09, & D15
06	SERVICE BAY	K	1	3'-0" X 7'-0" X 1 3/4"	HM	PT-4 (SERVICE BAYS) EXTERIOR - SEE A4	HM	PT-4 (SERVICE BAYS) EXTERIOR - SEE A4	M	-	EXIT	1/A6 & 2/A6	SEE-D01, D06, & D13
07	SERVICE BAY	J	1	10'-0" X 10'-0" X 1 3/4"	-	PRE-FINISHED	-	-	-	-	-	15/A7	SEE-D01, D02, D03, D04 & D09
08	SERVICE BAY	J	1	10'-0" X 10'-0" X 1 3/4"	-	PRE-FINISHED	-	-	-	-	-	15/A7	SEE-D01, D02, D03, D04 & D09
09	SERVICE BAY	J	1	10'-0" X 12'-0" X 1 3/4"	-	PRE-FINISHED	-	-	-	-	-	15/A7	SEE-D01, D02, D03, D04 & D09
10	SERVICE BAY	J	1	10'-0" X 12'-0" X 1 3/4"	-	PRE-FINISHED	-	-	-	-	-	15/A7	SEE-D01, D02, D03, D04 & D09
11	SERVICE BAY	G	1	4'-0" X 7'-0" X 1 3/4"	HM	PT-4 (SERVICE BAYS) EXTERIOR - SEE A4	HM	PT-4 (SERVICE BAYS) EXTERIOR - SEE A4	M	-	EXIT	1/A6 & 2/A6	SEE-D01, D06, & D13
12	SERVICE BAY	J	1	6'-0" X 10'-0" X 1 3/4"	-	PRE-FINISHED	-	-	-	-	-	15/A7	SEE-D01, D02, D03, D04 & D09
13	SERVICE BAY	J	1	10'-0" X 10'-0" X 1 3/4"	-	PRE-FINISHED	-	-	-	-	-	15/A7	SEE-D01, D02, D03, D04 & D09
14	SERVICE BAY	J	1	10'-0" X 10'-0" X 1 3/4"	-	PRE-FINISHED	-	-	-	-	-	15/A7	SEE-D01, D02, D03, D04 & D09
15	SERVICE BAY	J	1	10'-0" X 10'-0" X 1 3/4"	-	PRE-FINISHED	-	-	-	-	-	15/A7	SEE-D01, D02, D03, D04 & D09
16	SHOP TOILET	G	1	3'-0" X 7'-0" X 1 3/4"	HM	PT-4 (SERVICE BAYS) PT-1 (TOILET)	HM	PT-4 (SERVICE BAYS) PT-1 (TOILET)	P	-	REST ROOM	1-B1A8	SEE- D10, D13, & D15
17	FIRE PUMP ROOM	G	1	3'-0" X 7'-0" X 1 3/4"	HM	PT-1 (FIRE PUMP ROOM) EXTERIOR - SEE A4	HM	PT-1 (FIRE PUMP ROOM) EXTERIOR - SEE A4	M	1 HR	-	1/A6 & 2/A6	
18	FIRE PUMP ROOM	G	2	3'-0" X 7'-0" X 1 3/4"	HM	PT-1 (FIRE PUMP ROOM) EXTERIOR - SEE A4	HM	PT-1 (FIRE PUMP ROOM) EXTERIOR - SEE A4	M	1 HR	-	1/A6 & 2/A6	

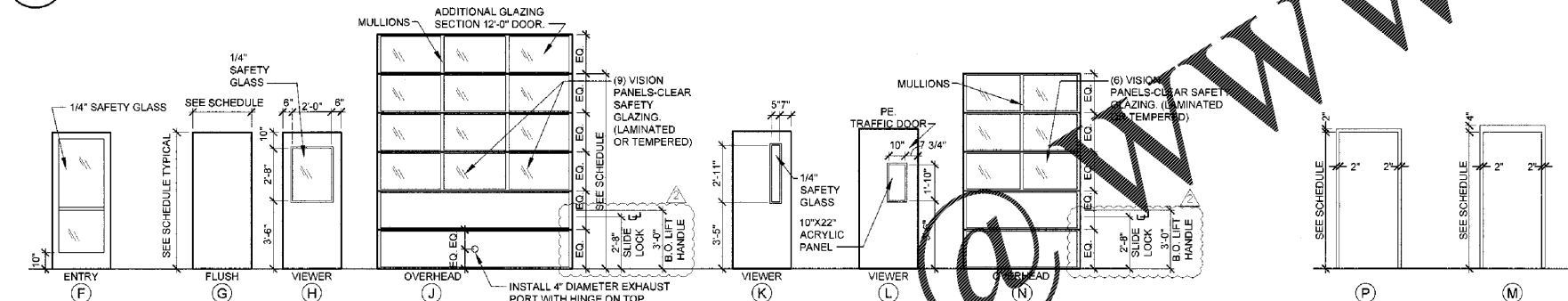
- DOOR SCHEDULE NOTES** GC PACKAGE AVAILABLE FROM NATIONAL VENDOR - DH PACE, INC. (417) 831-5585
- GENERAL NOTES:**
- ALL THRESHOLDS AT EXTERIOR DOORS TO BE SET IN FULL BED OF MASTIC.
 - ALL HARDWARE SHALL CONFORM WITH GEORGIA ACCESSIBILITY CODE AND GOVERNING CODES.
- D01. INSULATE EXTERIOR DOORS AS REQUIRED BY CRITERIA IN SPECIFICATIONS.
D02. TRACK AND HARDWARE BY O.H. DOOR MANUFACTURER.
D03. ACTUAL DOOR SIZE IS 2" WIDER AND 1" HIGHER THAN DOOR OPENING (PROVIDE FOR 1" LAP AT HEAD AND JAMBS).
D04. HARDWARE BY DOOR MANUFACTURER REFER TO SPECIFICATIONS.
D05. ELECTRIC OPERATOR.
D06. PROVIDE DOOR LITE REFER DOOR TYPES.
D07. GC TO FIELD VERIFY DOOR SIZE PRIOR TO ORDERING DOOR.
D08. DOOR COLOR GRAY.
D09. BRUSH EDGE SEALS BY DOOR MANUFACTURER.
D10. UNDERCUT DOOR 1/2".
D11. PREP GATE FOR ELECTRIC STRIKE (REMOTE OPERATOR TO BE LOCATED AT MVS DESK).
D12. PROVIDE LOUVER IN BASE OF DOOR EXTERIOR TO MATCH ADJACENT WALL UNO.
D13. DOOR & FRAME TO BE PAINTED TO MATCH ADJACENT WALL UNO.
D14. LOCKING HARDWARE ON ENTRY DOOR TO PROVIDE KEY ACCESS FROM THE EXTERIOR AND THUMB TURN ON INTERIOR.
D15. GC TO PROVIDE TRACK AND HARDWARE AS NOTED TO COMPLY WITH ADA.
D16. VERIFY HARDWARE MOUNTING FOR LEAF (EA LEAF).
D17. PROVIDE PLATE REINFORCEMENT FOR HOLD OPEN AT DOOR FRAME AND ON THE EXTERIOR SIDE ALUMINUM DOORS WITH THROUGH BOLTS FOR CRASH CHAIN. GC TO PROVIDE SIGN "DOOR" - REQUEST STORE MANAGER TO DISABLE ALARM PRIOR TO OPENING DOOR.
D18. GC TO PROVIDE & INSTALL SLIDING DOORS FRAME, TRIM, AND HARDWARE. COORDINATE WITH DOOR HARDWARE SPECIFICATIONS.
D19. NO KICK PLATE REQUIRED FOR WOOD DOORS.
D20. PROVIDE DOOR SILENCERS (3)

DOOR SCHEDULE MATERIAL KEY

MARK	DESCRIPTION
AL	ALUMINUM
HM	HOLLOW METAL
PE	POLYETHYLENE



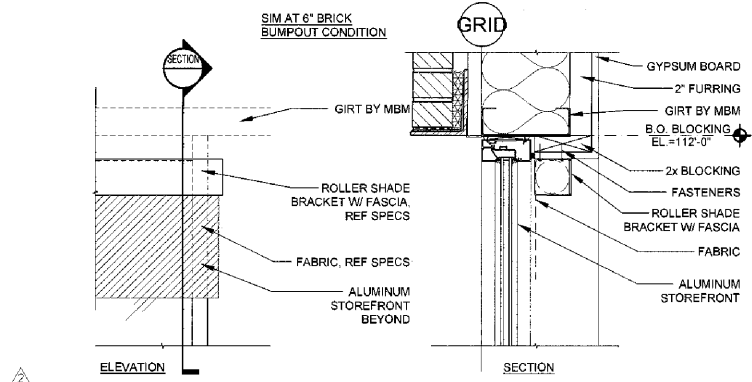
1 DOOR DETAILS
A8 SCALE: NOT TO SCALE



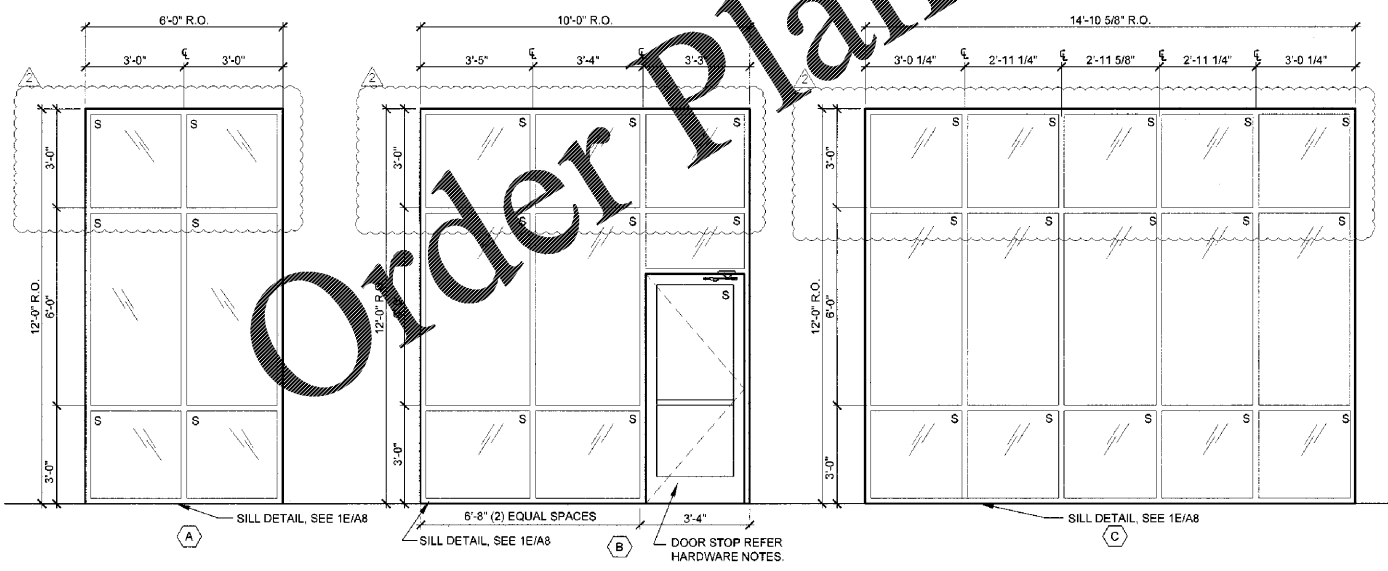
2 DOOR TYPES
A8 SCALE: 1/4"=1'-0"

GENERAL NOTES:
1. DIMENSIONS FOR O.H. DOORS ARE FROM INSIDE LOOKING OUT (ISLO).

3 FRAMES TYPES
A8 SCALE: 1/4"=1'-0"

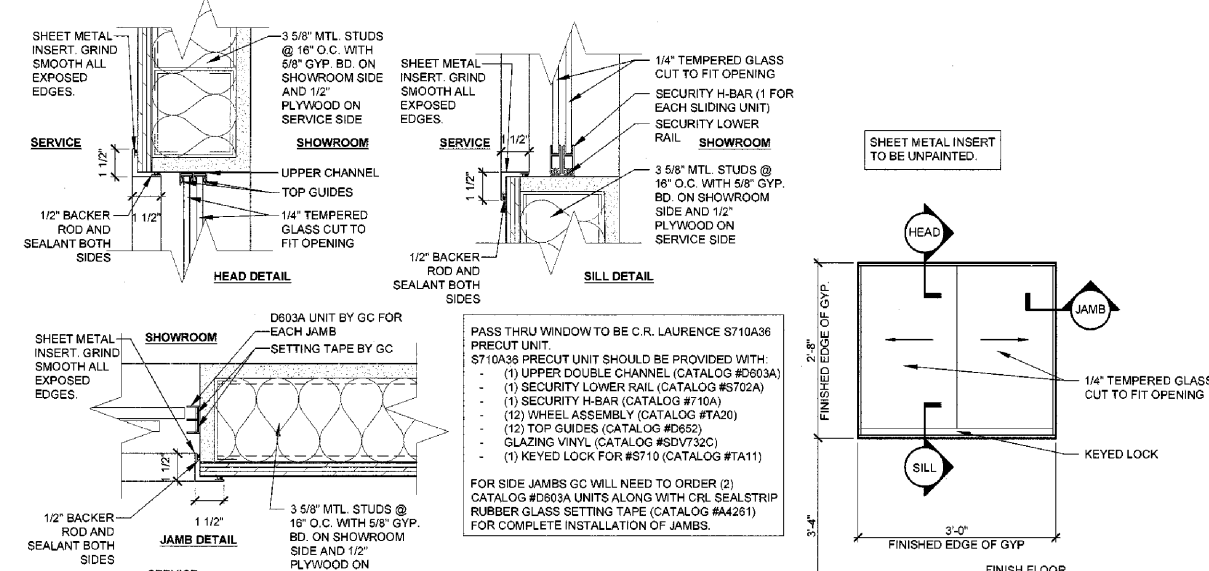


7 ROLLER SHADE DETAIL
A8 SCALE: 1 1/2"=1'-0"



4 WINDOWS TYPES
A8 SCALE: 3/8"=1'-0"

GENERAL NOTES:
1. ALL STOREFRONT & INTERIOR WINDOWS ARE TO BE FIELD VERIFIED PRIOR TO INSTALLATION BY GC.
2. PROVIDE DOUBLE PANE INSULATED GLASS FOR ALL STOREFRONT LOCATIONS.
3. "S" INDICATES SAFETY GLASS REQUIRED. GC TO CONFIRM SAFETY GLAZING IS LABELED PER CODE.



8 PASS THRU WINDOW DETAIL
A8 SCALE: NTS

S&A Design Group, P.C.
Michael R. Garrett, Architect
Georgia Registration #: RA013862
1437 South Boulder, Suite 550
Tulsa, Oklahoma 74119-3609
p. 918.697.8600
f. 918.697.8601
www.sgasdesigngroup.com

Firestone COMPLETE AUTO CARE

THIS DRAWING IS THE PROPERTY OF FIRESTONE RETAIL OPERATIONS, LLC AND IS LOANED TO THE EXPRESS CONDITION THAT IT WILL BE USED ONLY FOR THE PROJECT AND SITE SPECIFICALLY IDENTIFIED HEREIN. IT IS NOT TO BE REPRODUCED, COPIED, OR TRANSMITTED IN ANY FORM OR BY ANY MEANS, ELECTRONIC OR MECHANICAL, INCLUDING PHOTOCOPYING, RECORDING, OR BY ANY INFORMATION STORAGE AND RETRIEVAL SYSTEM. THE ACCEPTANCE OF THIS DRAWING WILL BE CONSIDERED AS AN ACCEPTANCE OF THE EXPLICIT CONDITION AND AS A WAIVER OF THE EXCLUSIVE WARRANTIES AND LIABILITY OF THE EXCLUSIVE OWNER/ISSUER IN CONNECTION WITH THE DRAWING.

NEW FCAC STORE
2020 I
283 DAWSONVILLE HIGHWAY SW
GAINESVILLE, GA 30501

STATE OF GEORGIA
MITCHELL R. GARRETT
REGISTERED ARCHITECT
11.13.2020

ISSUE BLOCK

REV #1	10/02/20	REV #2	
REV #2	11/13/20	IFC	

PROPERTY NO.: 160109
6 DIGIT NO.: 908074
4 DIGIT NO.: 78H3
AOR PROJECT NUMBER: 1955B56
TO PERMIT: DATE: 04/09/20
TO BID: DATE: #-#-#-
KMP

SHEET TITLE:
DOOR SCHEDULE & DETAILS

SHEET NUMBER:
A8