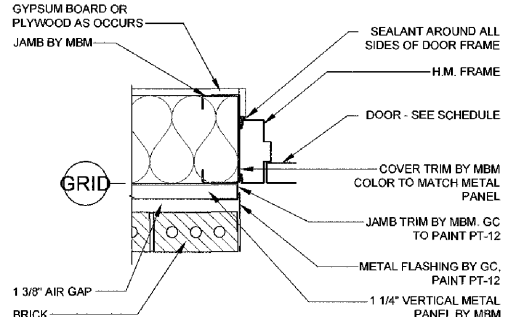
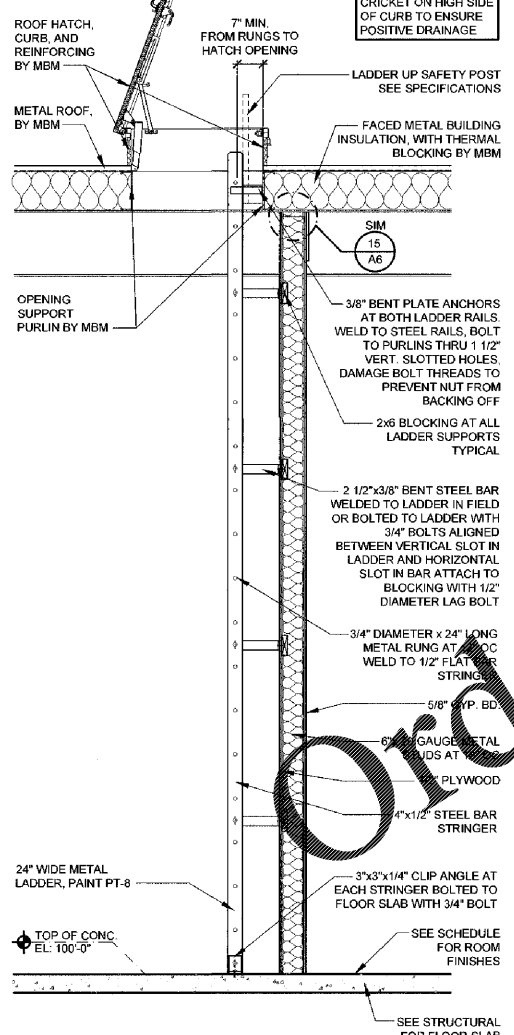


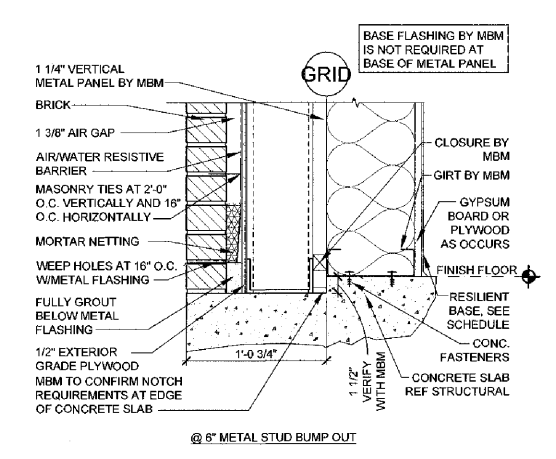
1 DOOR HEAD DETAIL
A6 SCALE: 1 1/2"=1'-0"



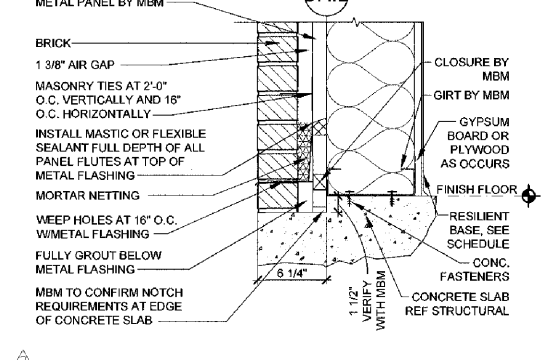
2 DOOR JAMB DETAIL
A6 SCALE: 1 1/2"=1'-0"



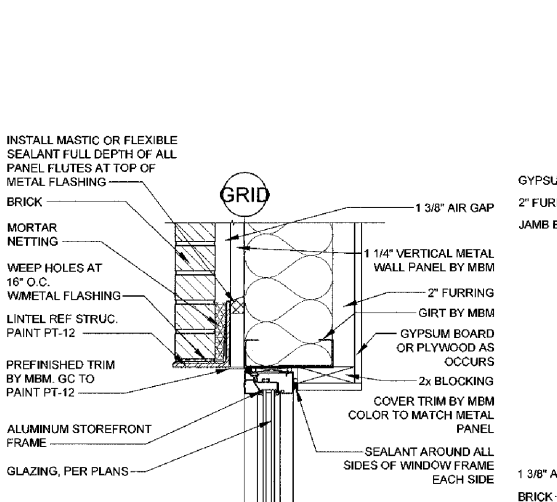
10 WALL SECTION
A6 SCALE: 1/2"=1'-0"



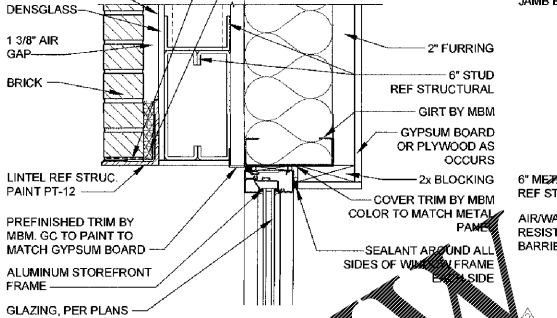
3 METAL PANEL BASE DETAIL
A6 SCALE: 1 1/2"=1'-0"



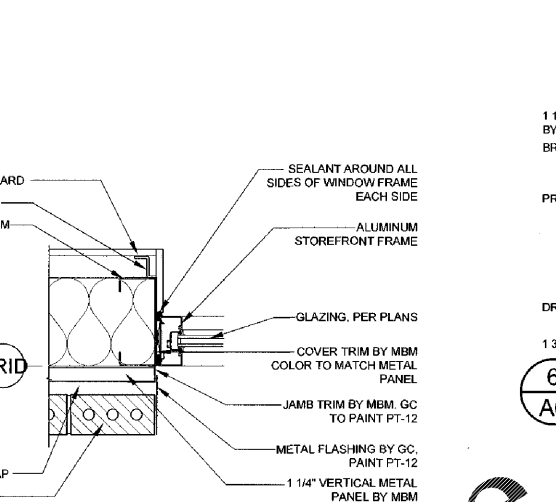
15 SECTION @ T.O. WALL
A6 SCALE: 1 1/2"=1'-0"



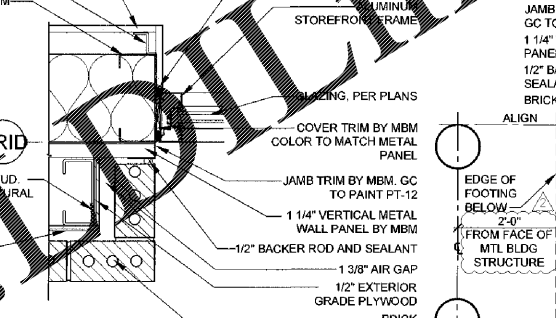
4 WINDOW HEAD DETAIL
A6 SCALE: 1 1/2"=1'-0"



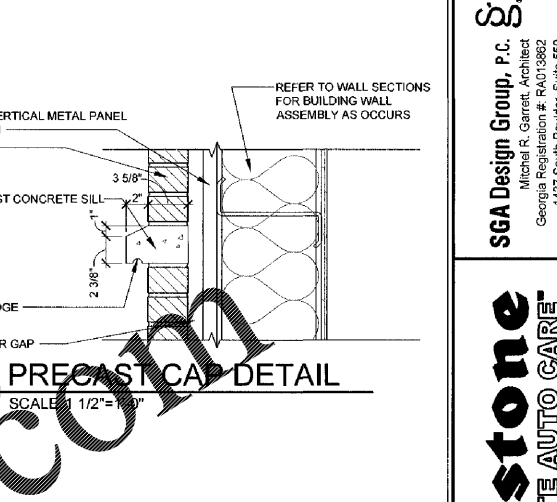
5 WINDOW JAMB DETAIL
A6 SCALE: 1 1/2"=1'-0"



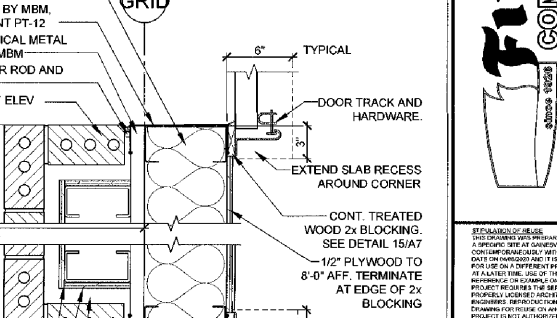
6 PRECAST CAP DETAIL
A6 SCALE: 1 1/2"=1'-0"



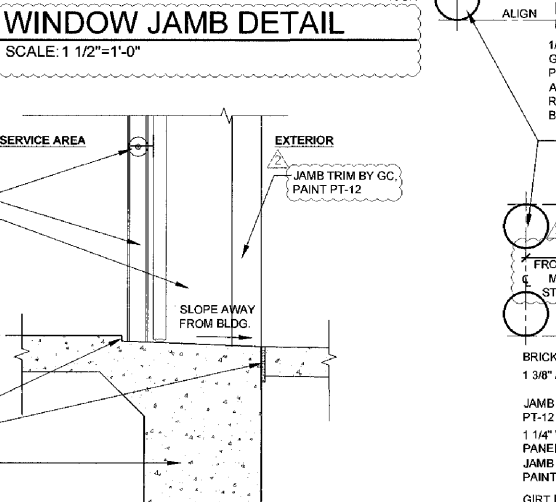
14 O.H. DOOR THRESHOLD
A6 SCALE: 1"=1'-0"



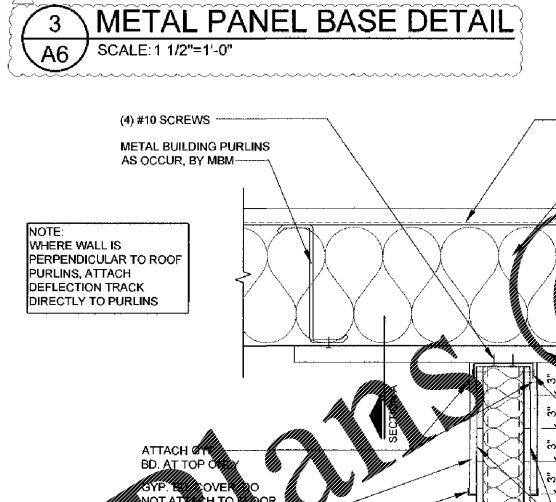
18 OVERHEAD DOOR PIER
A6 SCALE: 1 1/2"=1'-0"



19 BOLLARD DETAIL
A6 SCALE: 1/2"=1'-0"



16 SECTION AT WINDOW
A6 SCALE: 3/4"=1'-0"



15 SECTION @ T.O. WALL
A6 SCALE: 1 1/2"=1'-0"

SGA Design Group, P.C.
Michael R. Garrett, Architect
Georgia Registration # RA013882
1437 South Boulder, Suite 500
Tulsa, Oklahoma 74116-3609
P: 918.597.9800
F: 918.597.9801
www.sgasdesigngroup.com

Firestone COMPLETE AUTO CARE

THIS DRAWING IS THE PROPERTY OF BRIDGESTONE RETAIL OPERATIONS, LLC AND IS LOANED TO THE EXPRESS CONDITION THAT IT IS TO BE USED ONLY FOR THE PROJECT AND SITE SPECIFICALLY IDENTIFIED HEREIN. IT IS NOT TO BE REPRODUCED, COPIED, OR TRANSMITTED IN ANY FORM OR BY ANY MEANS, ELECTRONIC OR MECHANICAL, INCLUDING PHOTOCOPYING, RECORDING, OR BY ANY INFORMATION STORAGE AND RETRIEVAL SYSTEM. THE ACCEPTANCE OF THIS DRAWING SHALL BE CONSIDERED AS AN ACCEPTANCE OF THE FOREGOING CONDITIONS AND AN AGREEMENT TO THE EXCLUSIVE OWNERSHIP IN AND TO THE DRAWING BY BRIDGESTONE RETAIL OPERATIONS, LLC.

NEW FCAC STORE
2020 I
283 DAWSONVILLE HIGHWAY SW
GAINESVILLE, GA 30501

STATE OF GEORGIA
MITCHELL R. GARRETT
REGISTERED ARCHITECT
11.13.2020

ISSUE BLOCK	
10/02/20	REV #2
11/13/20	IFC

PROPERTY NO.: 160109
6 DIGIT NO.: 908074
4 DIGIT NO.: 78H3
AOR PROJECT NUMBER: 1955B55
TO PERMIT: DATE 04/09/20
TO BID: DATE #/##/##
KMB

SHEET TITLE:
WALL SECTIONS & DETAILS
SHEET NUMBER:
A6