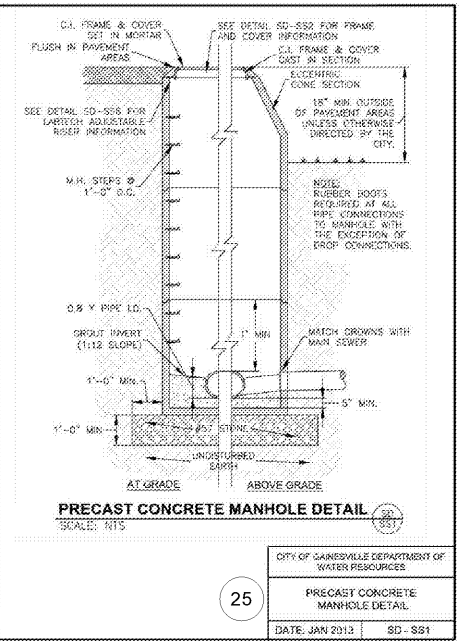
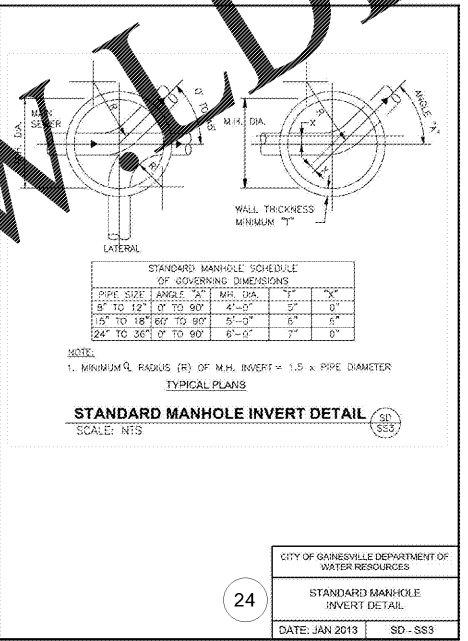
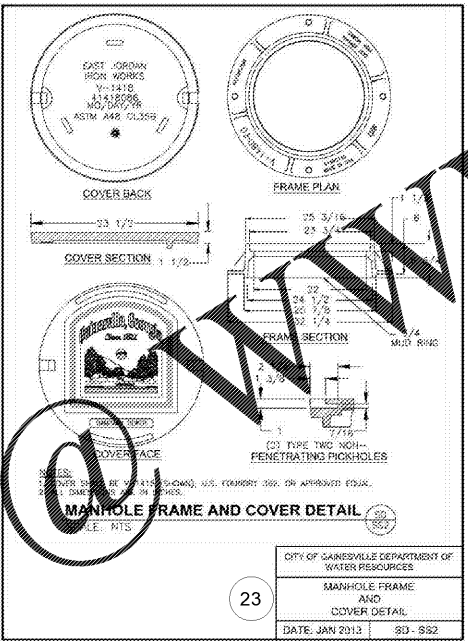
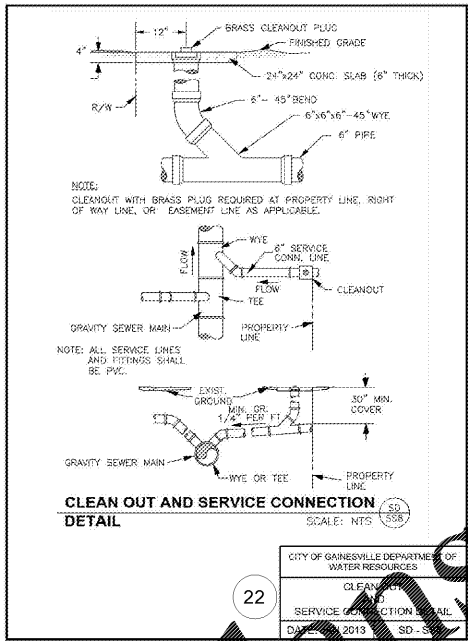
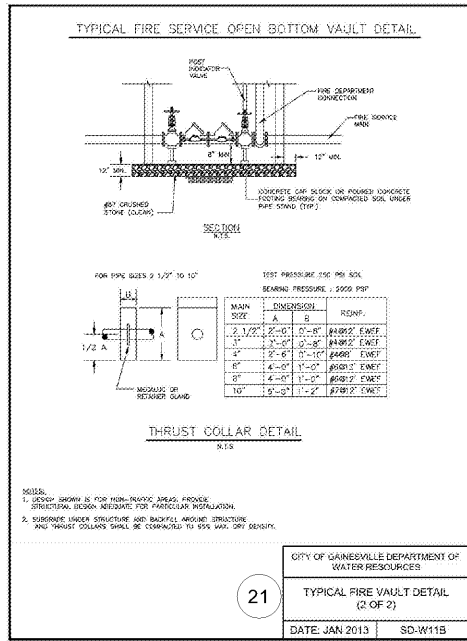
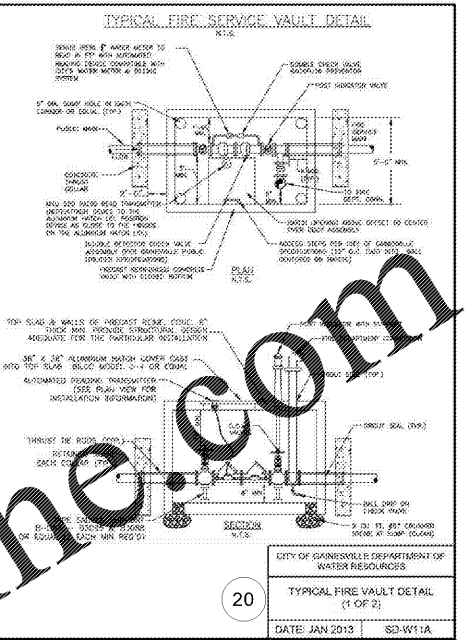
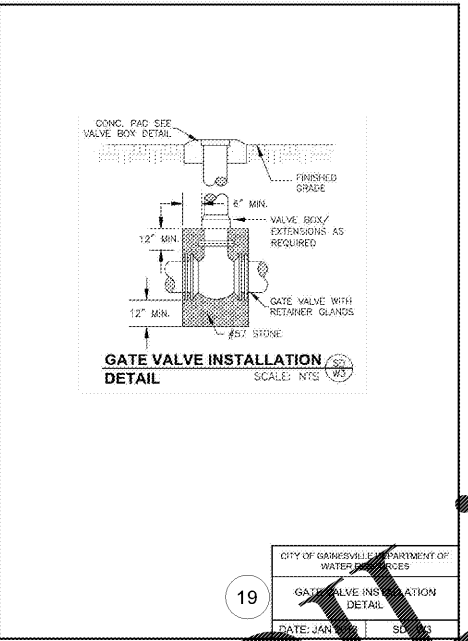
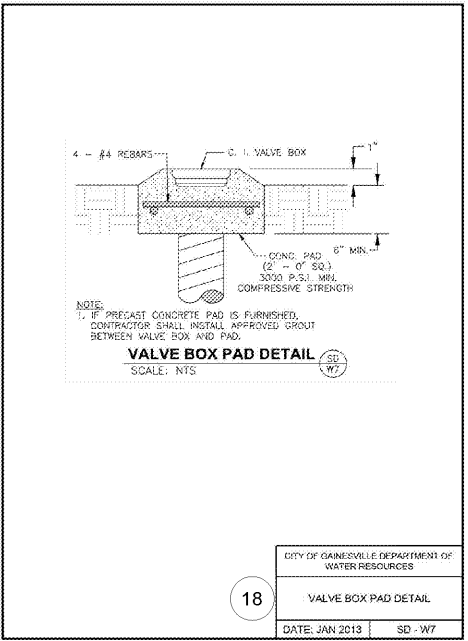
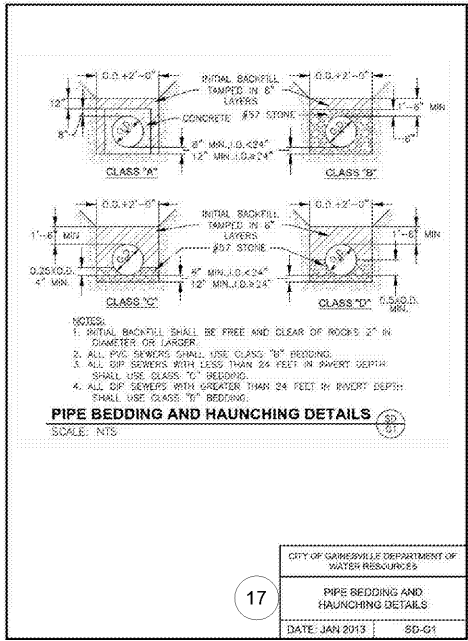
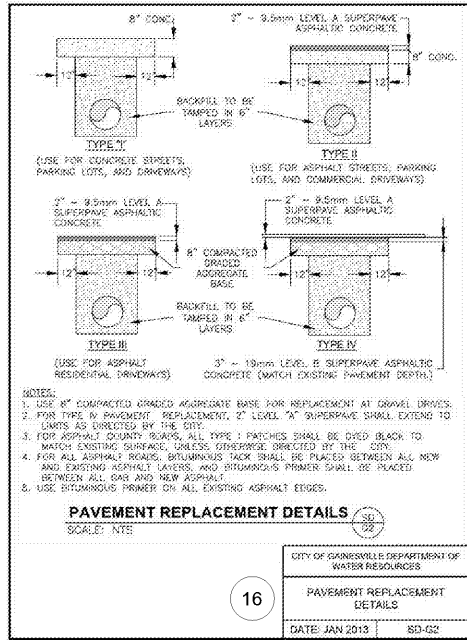


This document, together with the concepts and designs presented herein, is an instrument of service, is intended only for the specific purpose and client for which it was prepared. Reuse of and improper reliance on this document without written authorization and adaptation by Kimley-Horn and Associates, Inc. shall be without liability to Kimley-Horn and Associates, Inc.



Order Plans

Kimley»Horn

214 OceanSide Drive, Nashville, TN 37204
Main: 615.564.2701 | www.kimley-horn.com
© 2020 Kimley-Horn and Associates, Inc.

Firestone

COMPLETE AUTO CARE™

283 DAWSONVILLE HIGHWAY SW
GAINESVILLE, GA 30501



NO.	REVISIONS	DATE	BY
1			
2			
3			
4			
5			
6			
7			
8			
9			
10			

DESIGNED BY: SAHERE
DRAWN BY: SAHERE
CHECKED BY: SAHERE
DATE: 05/13/2020
KIMLEY-HORN PROJECT NO. 01705042

UTILITY DETAILS

SHEET NUMBER
C8-20