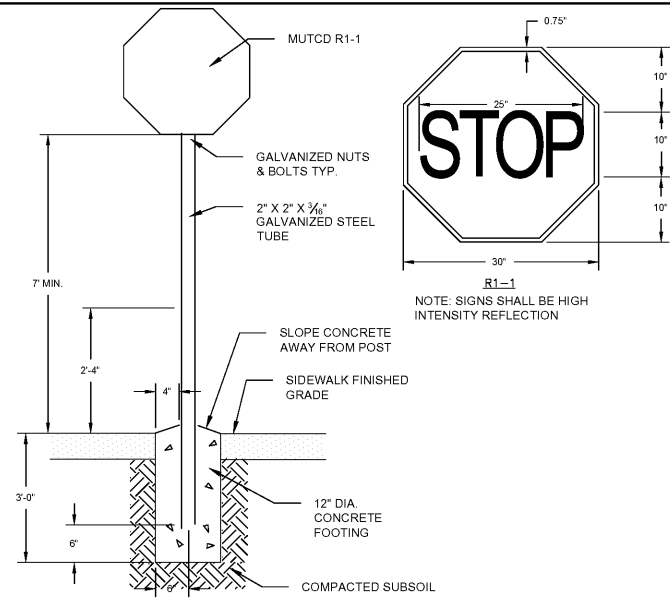
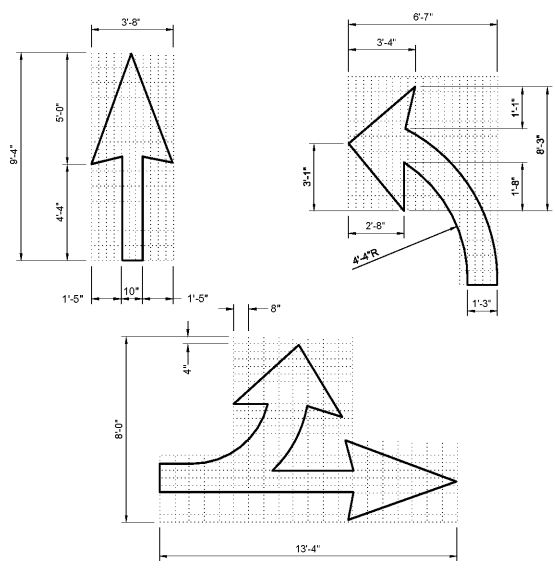


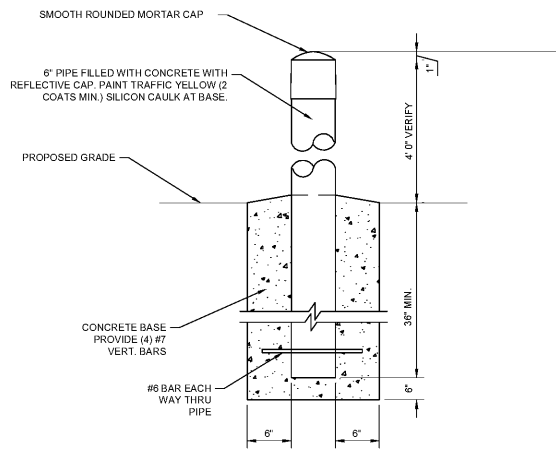
This document, together with the concepts and designs presented herein, is an instrument of service, is intended only for the specific purpose and client for which it was prepared. Reuse of any improper reliance on this document without written authorization and adaptation by Kimley-Horn and Associates, Inc. shall be without liability to Kimley-Horn and Associates, Inc.



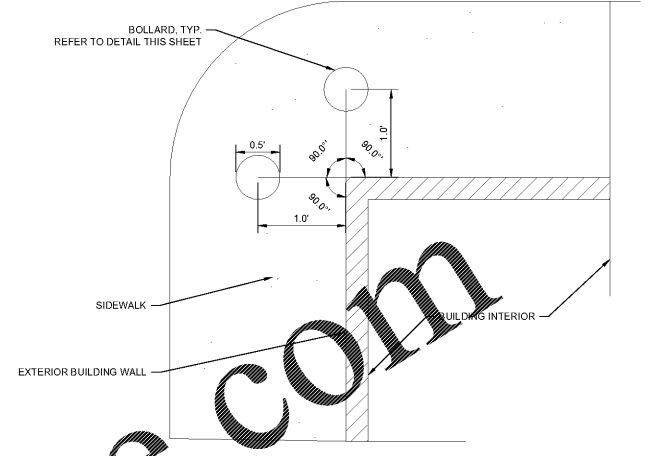
13 STOP SIGN
NOT TO SCALE



14 ROADWAY DIRECTIONAL ARROWS
NOT TO SCALE



15 PIPE BOLLARD
NOT TO SCALE



15.1 BOLLARD AT BUILDING CORNER
NOT TO SCALE

Order Plans @ www.LDILine.com

Kimley»Horn
214 Oceanside Drive, Nashville, TN 37204
Main: 615.564.2701 | www.kimley-horn.com
© 2020 Kimley-Horn and Associates, Inc.

Firestone
COMPLETE AUTO CARE™
283 DAWSONVILLE HIGHWAY SW
GAINESVILLE, GA 30501



No.	REVISIONS	DATE	BY
1			
2			
3			
4			
5			
6			
7			
8			
9			
10			

DESIGNED BY: SAHERE
DRAWN BY: SAHERE
CHECKED BY: SAHERE
DATE: 05/13/2020
KIMLEY-HORN PROJECT NO.
017059042

SITE DETAILS
SHEET NUMBER
C8-11