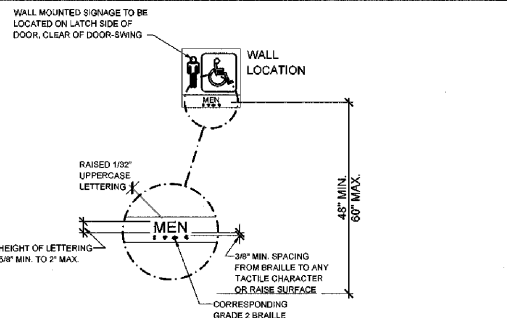
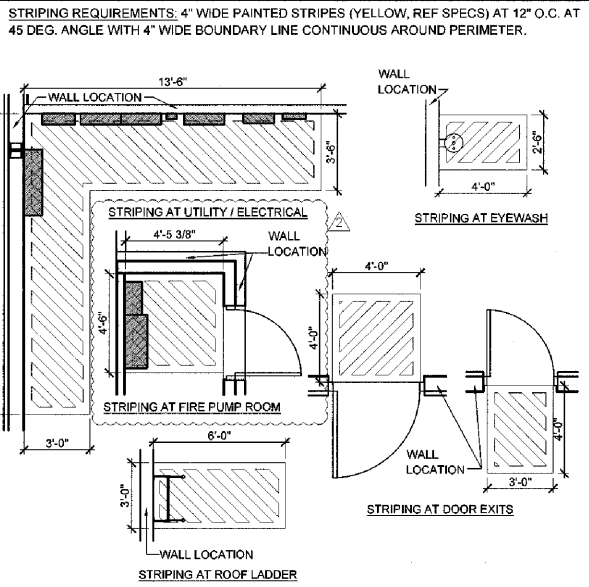


# RESTROOM SYMBOLS

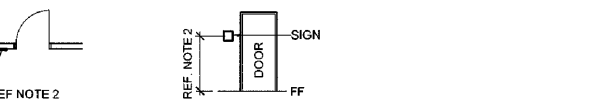


- SIGNS & IDENTIFICATION**
- THE INTERNATIONAL SYMBOL OF ACCESSIBILITY SHALL BE THE STANDARD USED TO IDENTIFY FACILITIES THAT ARE ACCESSIBLE TO AND USABLE BY PHYSICALLY DISABLED PERSONS AS SET FORTH IN TITLE III AND AS SPECIFICALLY REQUIRED IN THIS SECTION.
  - THE INTERNATIONAL SYMBOL OF ACCESSIBILITY SHALL CONSIST OF A WHITE FIGURE ON A BLUE BACKGROUND. THE BLUE SHALL BE EQUAL TO COLOR NO. 10900 IN FEDERAL STANDARD 595B. PICTOGRAMS AND THEIR FIELDS SHALL HAVE A NON-GLOSS FINISH. PICTOGRAMS SHALL CONTRAST THEIR FIELDS, WITH EITHER A LIGHT PICTOGRAM ON A DARK FIELD OR A DARK PICTOGRAM ON A LIGHT FIELD.
  - FOR CHARACTER WIDTH, THE UPPER CASE LETTER 'O' SHALL BE USED TO DETERMINE THE ALLOWABLE WIDTH OF ALL CHARACTERS OF A FONT. THE WIDTH OF THE UPPER CASE LETTER 'O' OF THE FONT SHALL BE 65 PERCENT MINIMUM AND 110 PERCENT MAXIMUM OF THE HEIGHT OF THE UPPER CASE LETTER 'O' OF THE FONT. (GEORGIA ACCESSIBILITY CODE) CHARACTER HEIGHT MEASURED FROM THE BASELINE OF THE CHARACTER SHALL BE 5/8" (16 MM) MINIMUM AND 2 INCHES (51 MM) MAXIMUM BASED ON THE HEIGHT OF THE UPPER CASE LETTER 'O'.
  - MINIMUM CHARACTER HEIGHT SHALL COMPLY WITH GEORGIA ACCESSIBILITY CODE. VIEWING DISTANCE SHALL BE MEASURED AS THE HORIZONTAL DISTANCE BETWEEN THE CHARACTER AND AN OBSTRUCTION PREVENTING FURTHER APPROACH TOWARDS THE SIGN. CHARACTER HEIGHT SHALL BE BASED ON THE UPPER CASE LETTER 'O'.
  - CHARACTERS AND SYMBOLS SHALL CONTRAST WITH THEIR BACKGROUND.
  - WHEN RAISED CHARACTERS OR SYMBOLS ARE USED, THEY SHALL CONFORM TO THE FOLLOWING:
    - LETTERS AND NUMBERS ON SIGNS SHALL BE RAISED 1/32" MINIMUM AND SHALL BE SANS-SERIF UPPER CASE CHARACTERS ACCOMPANIED BY GRADE 2 BRAILLE.
    - RAISED CHARACTERS OR SYMBOLS SHALL BE A MINIMUM OF 5/8" HIGH AND 2" MAXIMUM BASED ON THE HEIGHT OF THE UPPER CASE LETTER 'O'.
    - PICTORIAL SYMBOL SIGNS (PICTOGRAMS) SHALL BE ACCOMPANIED BY THE EQUIVALENT VERBAL DESCRIPTION PLACED DIRECTLY BELOW THE PICTOGRAM. THE BORDER DIMENSION OF THE PICTOGRAM SHALL BE A MINIMUM OF 6" IN HEIGHT.
  - CONTRACTED GRADE 2 BRAILLE SHALL BE USED WHEREVER BRAILLE SYMBOLS ARE SPECIFICALLY REQUIRED IN OTHER PORTIONS OF THESE REGULATIONS. DOTS SHALL BE 0.200" (5.1 MM) TO 0.100" (2.5 MM) ON CENTER IN EACH CELL WITH 0.241" (6.1 MM) TO 0.300" (7.6 MM) SPACE BETWEEN CELLS. DOTS SHALL BE RAISED A MINIMUM OF 0.025" (0.6 MM) TO 0.037" (0.9 MM) ABOVE THE BACKGROUND.
  - WHEN PERMANENT IDENTIFICATION IS PROVIDED FOR ROOMS AND SPACES, RAISED LETTERS SHALL BE ACCOMPANIED BY BRAILLE. SIGNS SHALL BE INSTALLED ON THE WALL ADJACENT TO THE LATCH SIDE OF THE DOOR, WHERE THERE IS NO WALL SPACE ON THE LATCH SIDE, INCLUDING DOUBLE LEAF DOORS, SIGNS SHALL BE PLACED ON THE NEAREST ADJACENT WALL, PREFERABLY ON THE RIGHT. MOUNTING HEIGHT SHALL BE LOCATED 48 INCHES (1220 MM) MINIMUM ABOVE THE FINISH FLOOR OR GROUND SURFACE MEASURED FROM THE BASE OF THE LOWEST TACTILE CHARACTER AND 60 INCHES (1525 MM) MAXIMUM ABOVE THE FINISH FLOOR OR GROUND SURFACE MEASURED FROM THE BASELINE OF THE HIGHEST TACTILE CHARACTER. WHERE A TACTILE SIGN IS PROVIDED AT A DOOR, THE SIGN SHALL BE LOCATED ALONGSIDE THE DOOR AT THE LATCH SIDE, WHERE A TACTILE SIGN IS PROVIDED AT DOUBLE DOORS WITH ONE ACTIVE LEAF, THE SIGN SHALL BE LOCATED ON THE INACTIVE LEAF. WHERE AT TACTILE SIGN PROVIDED AT DOUBLE DOORS WITH TWO ACTIVE LEAFS, THE SIGN SHALL BE LOCATED TO THE RIGHT OF THE RIGHT HAND DOOR, WHERE THERE IS NO WALL SPACE AT THE LATCH SIDE OF A SINGLE DOOR OR AT THE RIGHT SIDE OF DOUBLE DOORS, SIGNS SHALL BE LOCATED ON THE NEAREST ADJACENT WALL. SIGNS CONTAINING TACTILE CHARACTERS SHALL BE LOCATED SO THAT A CLEAR FLOOR SPACE OF 18 INCHES (455 MM) MINIMUM BY 18 INCHES (455 MM) MINIMUM BY 18 INCHES (455 MM) MINIMUM, CENTERED ON THE TACTILE CHARACTERS, IS PROVIDED BEYOND THE ARC OF ANY DOOR SWING BETWEEN THE CLOSED POSITION AND 45 DEGREE OPEN POSITION. EXCEPTION: SIGNS WITH TACTILE CHARACTERS SHALL BE PERMITTED ON THE PUSH SIDE OF DOORS WITH CLOSERS AND WITHOUT HOLD-OPEN DEVICES.

# STRIPING CONDITIONS

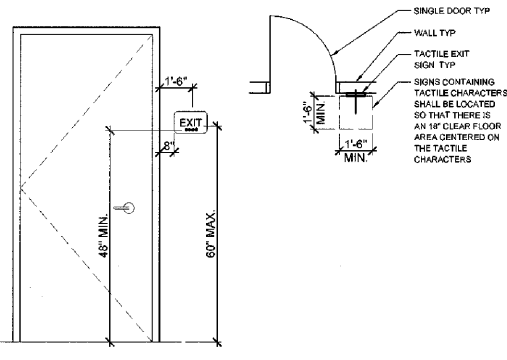


# SIGNAGE LEGEND



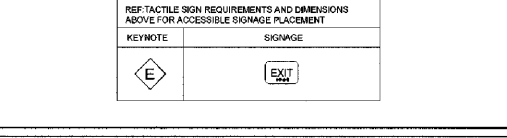
- REQUIRED ACCESSIBLE ELEMENTS SHALL BE IDENTIFIED BY THE INTERNATIONAL SYMBOL OF ACCESSIBILITY AT THE FOLLOWING LOCATIONS:
  - ACCESSIBLE ENTRANCES WHERE NOT ALL ENTRANCES ARE ACCESSIBLE
  - ACCESSIBLE CHECK-OUT AISLES WHERE NOT ALL AISLES ARE ACCESSIBLE. THE SIGN, WHERE PROVIDED, SHALL BE ABOVE THE CHECK-OUT AISLE IN THE SAME LOCATION AS THE CHECK-OUT AISLE NUMBER OR TYPE OF CHECK-OUT IDENTIFICATION
  - UNISEX TOILET
  - ACCESSIBLE DRESSING, FITTING AND LOCKER ROOMS WHERE NOT ALL SUCH ROOMS ARE ACCESSIBLE
- TACTILE SIGNAGE SHALL BE LOCATED 48 INCHES (1220 MM) MINIMUM ABOVE THE FINISH FLOOR OR GROUND SURFACE, MEASURED FROM THE BASE OF THE LOWEST TACTILE CHARACTER AND 60 INCHES (1525 MM) MAXIMUM ABOVE THE FINISH FLOOR OR GROUND SURFACE, MEASURED FROM THE BASELINE OF THE HIGHEST TACTILE CHARACTER. WHERE A TACTILE SIGN IS PROVIDED AT A DOOR, THE SIGN SHALL BE LOCATED ALONGSIDE THE DOOR AT THE LATCH SIDE, WHERE A TACTILE SIGN IS PROVIDED AT DOUBLE DOORS WITH ONE ACTIVE LEAF, THE SIGN SHALL BE LOCATED ON THE INACTIVE LEAF. WHERE AT TACTILE SIGN PROVIDED AT DOUBLE DOORS WITH TWO ACTIVE LEAFS, THE SIGN SHALL BE LOCATED TO THE RIGHT OF THE RIGHT HAND DOOR, WHERE THERE IS NO WALL SPACE AT THE LATCH SIDE OF A SINGLE DOOR OR AT THE RIGHT SIDE OF DOUBLE DOORS, SIGNS SHALL BE LOCATED ON THE NEAREST ADJACENT WALL. SIGNS CONTAINING TACTILE CHARACTERS SHALL BE LOCATED SO THAT A CLEAR FLOOR SPACE OF 18 INCHES (455 MM) MINIMUM BY 18 INCHES (455 MM) MINIMUM, CENTERED ON THE TACTILE CHARACTERS, IS PROVIDED BEYOND THE ARC OF ANY DOOR SWING BETWEEN THE CLOSED POSITION AND 45 DEGREE OPEN POSITION. EXCEPTION: SIGNS WITH TACTILE CHARACTERS SHALL BE PERMITTED ON THE PUSH SIDE OF DOORS WITH CLOSERS AND WITHOUT HOLD-OPEN DEVICES.
- CHARACTER AND SYMBOLS OF SIGNS SHALL BE IN CONTRAST WITH THEIR BACKGROUND AND SHALL BE EGGSHELL, MAZE, OR OTHER NON-GLARE MATERIALS OR FINISHES
- ACCESSIBLE SIGNAGE SHALL USE GRADE 2 BRAILLE AND MUST COMPLY WITH GEORGIA ACCESSIBILITY CODE

# TACTILE EXIT SIGN

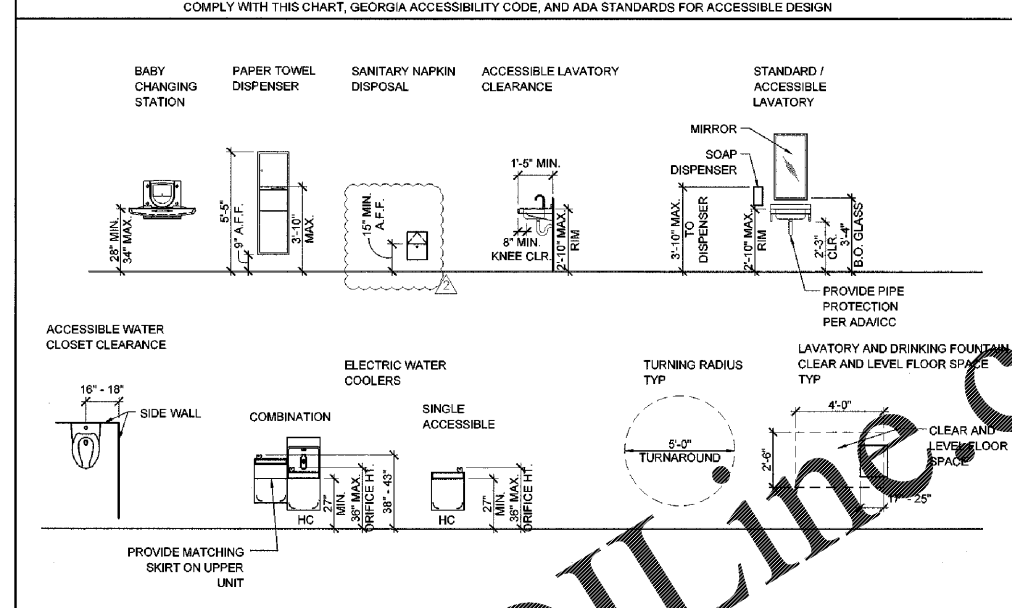


- TACTILE SIGN REQUIREMENTS**
- A TACTILE SIGN STATING "EXIT" AND COMPLYING WITH ICC A117.1 SHALL BE PROVIDED ADJACENT TO EACH DOOR TO AN EXIT PASSAGEWAY AND THE EXIT DISCHARGE. REF. DOOR SCHEDULE FOR LOCATIONS.
  - FOR CHARACTER WIDTH, THE UPPER CASE LETTER 'O' SHALL BE USED TO DETERMINE THE ALLOWABLE WIDTH OF ALL CHARACTERS OF A FONT. THE WIDTH OF THE UPPER CASE LETTER 'O' OF THE FONT SHALL BE 65 PERCENT MINIMUM AND 110 PERCENT MAXIMUM OF THE HEIGHT OF THE UPPER CASE 'O' OF THE FONT. (GEORGIA ACCESSIBILITY CODE) CHARACTER HEIGHT MEASURED FROM THE BASELINE OF THE CHARACTER SHALL BE 5/8" (16 MM) MINIMUM AND 2 INCHES (51 MM) MAXIMUM BASED ON THE HEIGHT OF THE UPPER CASE LETTER 'O'.
  - CHARACTERS AND SYMBOLS SHALL CONTRAST WITH THEIR BACKGROUND.
  - CHARACTERS SHALL CONFORM TO THE FOLLOWING:
    - LETTERS AND NUMBERS ON SIGNS SHALL BE RAISED 1/32" MINIMUM AND SHALL BE SANS-SERIF UPPER CASE CHARACTERS ACCOMPANIED BY GRADE 2 BRAILLE.
    - RAISED CHARACTERS OR SYMBOLS SHALL BE A MINIMUM OF 5/8" HIGH AND A MAXIMUM OF 2" MAXIMUM BASED ON THE HEIGHT OF THE UPPER CASE LETTER 'O'.
    - CONTRACTED GRADE 2 BRAILLE SHALL BE USED: DOTS SHALL BE 0.200" (5.1 MM) TO 0.100" (2.5 MM) ON CENTER IN EACH CELL WITH 0.241" (6.1 MM) TO 0.300" (7.6 MM) SPACE BETWEEN CELLS. DOTS SHALL BE RAISED A MINIMUM OF 0.025" (0.6 MM) TO 0.037" (0.9 MM) ABOVE THE BACKGROUND.
  - SIGNS SHALL BE INSTALLED ON THE WALL ADJACENT TO THE LATCH SIDE OF THE DOOR, WHERE THERE IS NO WALL SPACE ON THE LATCH SIDE, INCLUDING DOUBLE LEAF DOORS, SIGNS SHALL BE PLACED ON THE NEAREST ADJACENT WALL, PREFERABLY ON THE RIGHT. MOUNTING HEIGHT SHALL BE LOCATED 48 INCHES (1220 MM) MINIMUM ABOVE THE FINISH FLOOR OR GROUND SURFACE MEASURED FROM THE BASE OF THE LOWEST TACTILE CHARACTER AND 60 INCHES (1525 MM) MAXIMUM ABOVE THE FINISH FLOOR OR GROUND SURFACE MEASURED FROM THE BASELINE OF THE HIGHEST TACTILE CHARACTER. WHERE A TACTILE SIGN IS PROVIDED AT A DOOR, THE SIGN SHALL BE LOCATED ALONGSIDE THE DOOR AT THE LATCH SIDE, WHERE A TACTILE SIGN IS PROVIDED AT DOUBLE DOORS WITH ONE ACTIVE LEAF, THE SIGN SHALL BE LOCATED ON THE INACTIVE LEAF. WHERE AT TACTILE SIGN PROVIDED AT DOUBLE DOORS WITH TWO ACTIVE LEAFS, THE SIGN SHALL BE LOCATED TO THE RIGHT OF THE RIGHT HAND DOOR, WHERE THERE IS NO WALL SPACE AT THE LATCH SIDE OF A SINGLE DOOR OR AT THE RIGHT SIDE OF DOUBLE DOORS, SIGNS SHALL BE LOCATED ON THE NEAREST ADJACENT WALL. SIGNS CONTAINING TACTILE CHARACTERS SHALL BE LOCATED SO THAT A CLEAR FLOOR SPACE OF 18 INCHES (455 MM) MINIMUM BY 18 INCHES (455 MM) MINIMUM, CENTERED ON THE TACTILE CHARACTERS, IS PROVIDED BEYOND THE ARC OF ANY DOOR SWING BETWEEN THE CLOSED POSITION AND 45 DEGREE OPEN POSITION. EXCEPTION: SIGNS WITH TACTILE CHARACTERS SHALL BE PERMITTED ON THE PUSH SIDE OF DOORS WITH CLOSERS AND WITHOUT HOLD-OPEN DEVICES.

# TACTILE EXIT SIGN LEGEND



# FIXTURE HEIGHTS AND CLEARANCES



# MOLD AND MILDEW NOTES

- THE FOLLOWING REQUIREMENTS SHALL APPLY TO ALL NEW AND REMODEL CONSTRUCTION PROJECTS: THE CONTRACTOR SHALL COMPLY WITH FEDERAL ENVIRONMENTAL AND OCCUPATIONAL HEALTH AND SAFETY ADMINISTRATION REGULATIONS AND ALL LOCAL AND STATE HEALTH DEPARTMENT REQUIREMENTS AND RECOMMENDATIONS REGARDING MOLD AND MILDEW.
- IN THE EVENT THE CONTRACTOR DISCOVERS AT ANY TIME THE PRESENCE OF MOLD AND / OR MILDEW, THE CONTRACTOR SHALL IMMEDIATELY NOTIFY THE OWNER'S REPRESENTATIVE AND THE ARCHITECT / ENGINEER OF RECORD, IN WRITING, OF THE CONCERN AND / OR SUSPICION.
- CONCURRENTLY, THE CONTRACTOR SHALL BE RESPONSIBLE TO RETAIN A MOLD AND MILDEW CERTIFIED TESTING SERVICE TO PERFORM AN INVESTIGATION AND TESTING AS REQUIRED TO EVALUATE THE NATURE AND EXTENT OF THE PROBLEM. IF THE TESTING AGENCY CONFIRMS HAZARDS, THE CONTRACTOR SHALL BE RESPONSIBLE TO OBTAIN A MINIMUM OF THREE (3) BIDDER COMPANY QUALIFIED AND LICENSED TO PERFORM ALL NECESSARY REMEDIATION WORK, COMPLYING WITH ALL LOCAL, STATE AND FEDERAL ENVIRONMENTAL REGULATIONS, CODES, AND STATUTES.
- ONCE SUSPICION OF MOLD AND / OR MILDEW IS MADE, THE CONTRACTOR SHALL TAKE ALL REASONABLE AND PRACTICAL PRECAUTIONS TO PROTECT ALL CONSTRUCTION PERSONNEL AND THE PUBLIC FROM THE EXPOSURE TO MOLD AND / OR MILDEW, AND SUCH PRECAUTIONS SHALL REMAIN IN PLACE UNTIL SUCH TIME AS THE OWNER OR HEALTH AUTHORITY DIRECTS OTHERWISE. CONSTRUCTION OPERATIONS SHALL NOT BE STOPPED OR CURTAILED, EXCEPT IN THE AREA OF MOLD / MILDEW CONCENTRATIONS, DUE TO THESE REQUIRED PRECAUTIONS.
- THE CONTRACTOR SHALL MAKE ALL REASONABLE EFFORTS TO AVOID CONDITIONS FAVORABLE TO THE DEVELOPMENT OF MOLD AND MILDEW, ESPECIALLY IN VOIDS WHICH WILL BE CONCEALED AND NOT VENTILATED. IN ALL CASES, INTERIOR SPACES AND INTERIOR FINISHED CONSTRUCTION SHALL BE MAINTAINED IN DRY AND WELL-VENTILATED CONDITIONS.
  - PENETRATIONS SHALL BE SEALED WATER-TIGHT TO PREVENT MOISTURE MIGRATION FROM ENTERING THE BUILDING OR WALL CAVITIES.
  - ALL CONDENSATE DRAIN PANS SHALL BE CLEANED AND KEPT FREE FROM DEBRIS UNTIL AND WHEN THE FACILITY IS TURNED OVER TO THE OWNER. INSURE POSITIVE DRAINAGE AT ALL DRAIN PANS. INSURE THAT ALL "COLD" SURFACES ARE INSULATED AND COVERED WITH A FULLY SEALED AND CONTINUOUS VAPOR BARRIER. ("COLD" SURFACES INCLUDE, BUT ARE NOT LIMITED TO, DOMESTIC COLD WATER PIPING, INTERIOR RAIN LEADERS, OUTDOOR AIR INTAKES, AND DUCTWORK CARRYING AIR CONDITIONED SUPPLY AIR.)
  - ALL EXISTING SUPPLY AIR PATHS AND ALL EXISTING DUCTWORK TO BE RE-USED SHALL BE CLEANED AND TREATED AS REQUIRED TO REMOVE THE POTENTIAL FOR MOLD AND MILDEW. ALL DAMP AREAS SHALL BE DRIED THOROUGHLY PRIOR TO ENCLOSURE.

# SYMBOLS

| SYMBOL         | TITLE       | TITLE BUBBLE                   | DETAIL NUMBER | SHEET NUMBER |
|----------------|-------------|--------------------------------|---------------|--------------|
| (XX)           | SCALE: FULL |                                |               |              |
| (S)            |             | SECTION CUT                    |               |              |
| (S)            |             | SECTION DETAIL                 |               |              |
| (E)            |             | ELEVATION REFERENCE            |               |              |
| (E)            |             | ELEVATION VIEW (OUTSIDE)       |               |              |
| (R)            |             | REVISION CLOUD                 |               |              |
| (X)            |             | DETAIL CLOUD                   |               |              |
| (X)            |             | DETAIL NUMBER                  |               |              |
| (X)            |             | DETAIL SHEET NUMBER            |               |              |
| (TOP OF STEEL) |             | DATUM MARKS                    |               |              |
| (TOP OF STEEL) |             | ELEVATION REFERENCE            |               |              |
| (DI)           |             | DOOR INDICATOR                 |               |              |
| (X)            |             | WINDOW INDICATOR               |               |              |
| (OFFICE)       |             | ROOM NAME AND NUMBER INDICATOR |               |              |
| (DI)           |             | EQUIPMENT INDICATOR            |               |              |
| (A)            |             | COLUMN LINE INDICATOR          |               |              |
| (MS1)          |             | WALL TYPE INDICATOR            |               |              |
| (A)            |             | TOILET ACCESSORIES INDICATOR   |               |              |
| (VCT)          |             | FLOOR FINISH INDICATOR         |               |              |

# 1 BABY CHANGING STATION DETAIL



# 2 FIXTURES AND GRAB BAR LOCATIONS



**SGA Design Group, P.C.**  
 Michael R. Garrett, Architect  
 Georgia Registration # RA013892  
 1437 South Boulder, Suite 550  
 Tulsa, Oklahoma 74119-3609  
 p. 918.587.8600  
 f. 918.587.8601  
 www.sgaesigngroup.com

**Firestone COMPLETE AUTO CARE**  
 THE DRAWING IS THE PROPERTY OF BRIDGESTONE RETAIL OPERATIONS, LLC AND IS LOANED TO THE EXPRESS CONDITION THAT IT IS NOT TO BE REPRODUCED, COPIED, OR TRANSMITTED IN ANY FORM OR BY ANY MEANS, ELECTRONIC OR MECHANICAL, INCLUDING PHOTOCOPYING, RECORDING, OR BY ANY INFORMATION STORAGE AND RETRIEVAL SYSTEM. THE ACCEPTANCE OF THIS DRAWING WILL BE CONSIDERED AS AN ACCEPTANCE OF THE FOREGOING CONDITIONS AND THE ASSUMPTION OF THE EXCLUSIVE OWEENSHIP IN AND TO THE DRAWING BY BRIDGESTONE RETAIL OPERATIONS, LLC.

**NEW FCAC STORE**  
 2020 I  
 283 DAWSONVILLE HIGHWAY SW  
 GAINESVILLE, GA 30501

STATE OF GEORGIA  
 MITCHELL R. GARRETT  
 REGISTERED ARCHITECT  
 11.13.2020

| ISSUE BLOCK         |                     |
|---------------------|---------------------|
| 10/02/20            | REV #2              |
| 11/13/20            | IFC                 |
| PROPERTY NO:        | 180100              |
| 6 DIGIT NO:         | 908074              |
| 4 DIGIT NO:         | 7843                |
| AOR PROJECT NUMBER: | 1955B5              |
| TO PERMIT:          | DATE 040820         |
| TO BID:             | DATE ##-##-##       |
| SHEET TITLE:        | GENERAL INFORMATION |
| SHEET NUMBER:       | N1                  |