

**METRO TRANSITION CENTER BATHROOM RENOVATIONS**  
 BUILDING A & C



GA DEPARTMENT OF CORRECTIONS  
 300 PATROL DRIVE  
 PO BOX 1529  
 FORSYTH, GA 31029



**CERTIFICATIONS**

CONSULTANT

DATE	NO.	BY

**REVISIONS**

DATE	NO.	DESCRIPTION
5/26/20	1	FOR CONSTRUCTION

**RELEASES**

COPYRIGHT ©2019 RAYMOND ENGINEERING GA, INC  
 ALL RIGHTS RESERVED. THIS DRAWING AND ITS REPRODUCTIONS ARE THE PROPERTY OF RAYMOND ENGINEERING GEORGIA, INC & MAY NOT BE REPRODUCED, PUBLISHED, OR USED IN ANY WAY WITHOUT THE PERMISSION OF RAYMOND ENGINEERING GEORGIA, INC. RETURN PRINTS TO RAYMOND ENGINEERING GEORGIA, INC UPON COMPLETION OF USE FOR WHICH THEY WERE ISSUED.

PROJECT NO.: 1080.022  
 DESIGN BY: ---  
 DRAWN BY: EB  
 CHECKED BY: ---

BATHROOM 150 FLOOR PLAN - BUILDING A

**P102**

**DEMOLITION NOTES**

- 1 REMOVE ALL EXISTING SANITARY LINES UPSTREAM FROM THIS POINT. PREPARE FOR NEW CONNECTION (PLUMBING)
- 2 REMOVE ALL EXISTING SANITARY VENT LINES UPSTREAM FROM THIS POINT. PREPARE FOR NEW CONNECTION (PLUMBING)
- 3 REMOVE ALL EXISTING DOMESTIC WATER LINES DOWNSTREAM FROM THIS POINT. PREPARE FOR NEW CONNECTION (PLUMBING)
- 4 REMOVE ALL EXISTING PLUMBING FIXTURES. REPLACE WITH NEW. SEE SPECS FOR DETAILS. \*\* DENOTES RELOCATION OF FIXTURE/PIPE AS INDICATED (PLUMBING).
- 5 REMOVE ALL EXISTING DUCT AND REGISTER DOWNSTREAM FROM THIS POINT. PREPARE FOR NEW CONNECTION. \*\* REMOVE ALL DUCT (MECHANICAL).
- 6 REPLACE EXISTING R.F. WITH NEW ROOF MOUNTED UNIT. SEE SCHEDULE FOR DETAILS. (MECHANICAL).

**GENERAL PLUMBING NOTES**

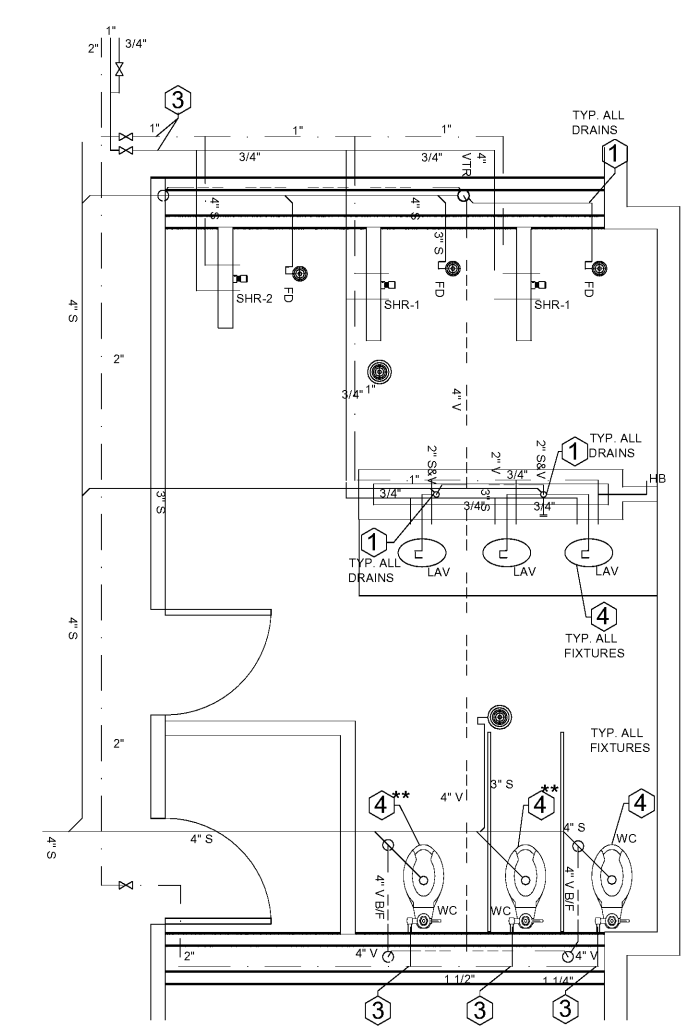
- 1) INSTALL CLEANOUTS AT BOTTOM OF ALL DRAIN STACKS.
- 2) INSTALL HAMMER ARRESTORS AT ALL FIXTURE SUPPLY LINES (BOTH HOT & COLD).
- 3) LINE LOCATIONS AND SIZES ARE APPROXIMATED. CONTRACTOR MUST VERIFY ON SITE.
- 4) INSTALL SHUT-OFF VALVES AT ALL FIXTURES.
- 5) PIPE SIZE AND SLOPES
 

PIPE O.D. & PITCH	F.U.
2" (1/4" / LIN.FT.)	21 F.U.
3"ø (1/8" / LIN.FT.)	36 F.U.
3"ø (1/4" / LIN.FT.)	42 F.U.
4"ø (1/8" / LIN.FT.)	180 F.U.

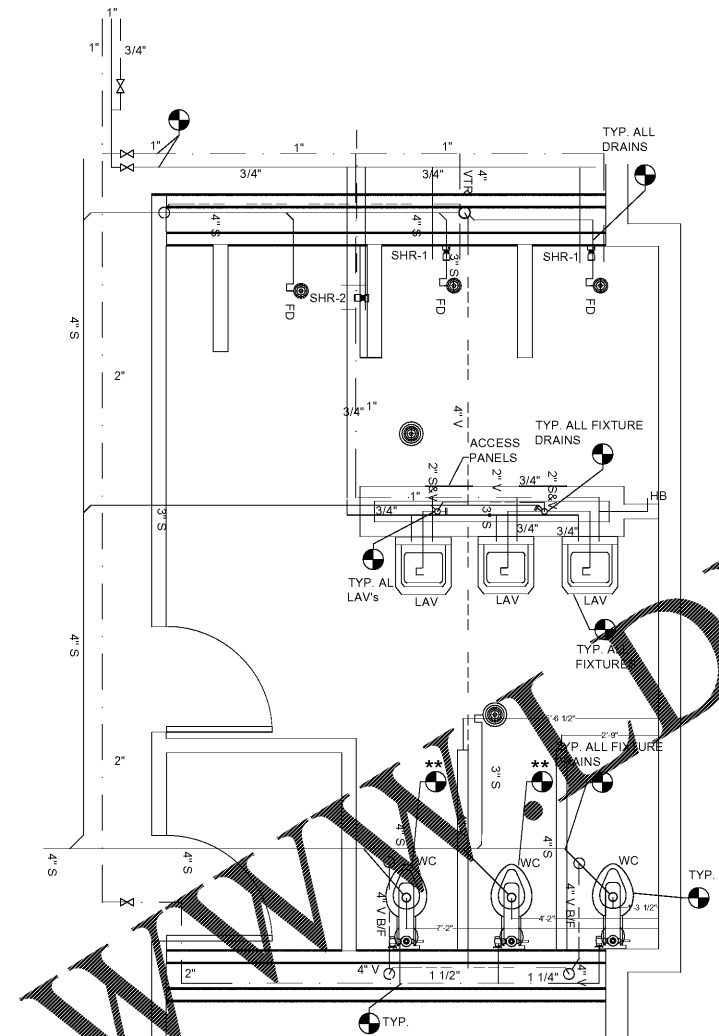
● CONNECTION POINT OF NEW WORK

**FIXTURE LEGEND**

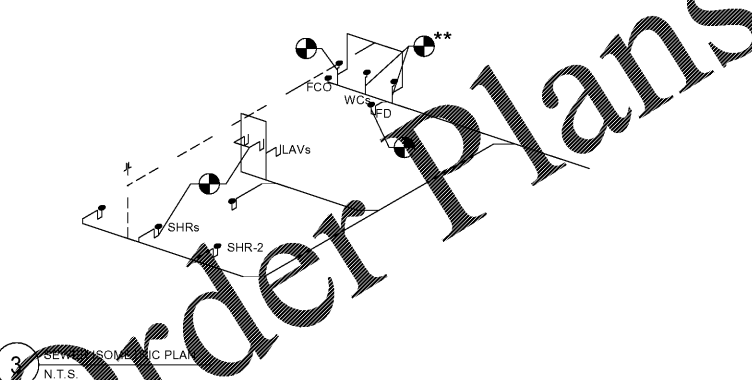
ITEM	DESCRIPTION	PIPE SIZE		MANUF./MODEL
		SUPPLY	DRAIN	
WC	TOILET	1"	4"	WILLOUGHBY BET-1490/14A-12-TS-128-FV-SLL WITH FLUSH 128 GPF VALVE
LAV	LAVATORY	1/2"	2"	WILLOUGHBY HS-1014-96-HC-W-400-RPT SS LAV. WALL MOUNTED
FCT	FAUCET	1/2"	-	KOHLER TRITON BOWE K-40170-4K-L-CP (C&E) ALL LAVATORIES
FD	FLOOR DRAIN	-	2"	ZURN (OR EQUIV. SELECTION BY CONTRACTOR)
SHR-1	SHOWER	1/2"	2"	WILLOUGHBY WBIS-FA-TPV-UBJ
SHR-2	SHOWER	1/2"	2"	WILLOUGHBY ADA WBIS-FA-TPV-UBJ



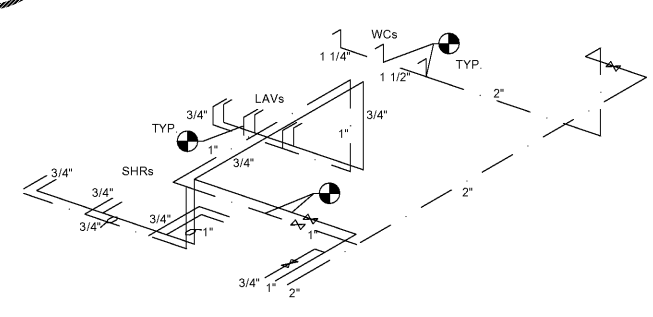
1 EXISTING BATHROOM 150 PLUMBING PLAN - BUILDING A  
 SCALE: 1/2" = 1'-0"



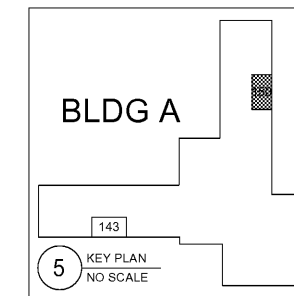
2 NEW BATHROOM 150 PLUMBING PLAN - BUILDING A  
 SCALE: 1/2" = 1'-0"



3 DOMESTIC WATER ISOMETRIC PLAN  
 N.T.S.



4 DOMESTIC WATER ISOMETRIC PLAN  
 N.T.S.



5 KEY PLAN  
 NO SCALE

Order Plans @ WWW.DILine.com