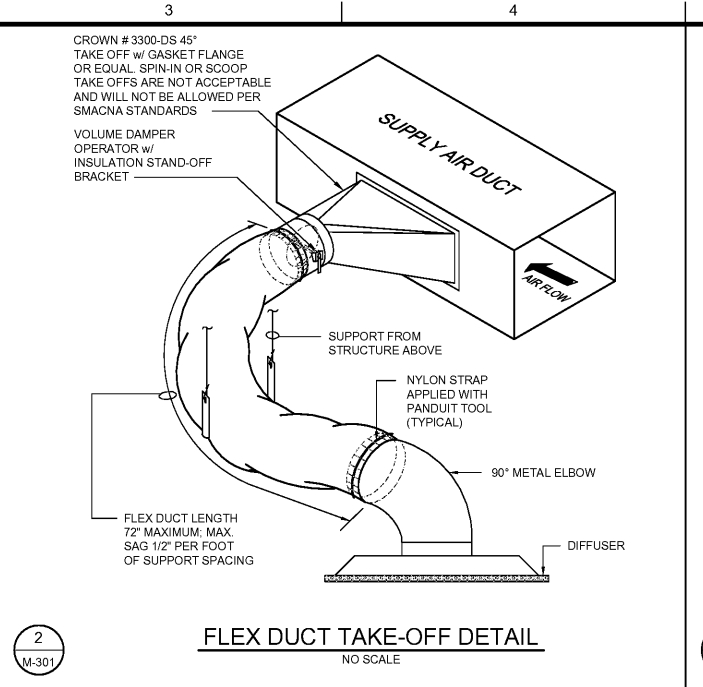
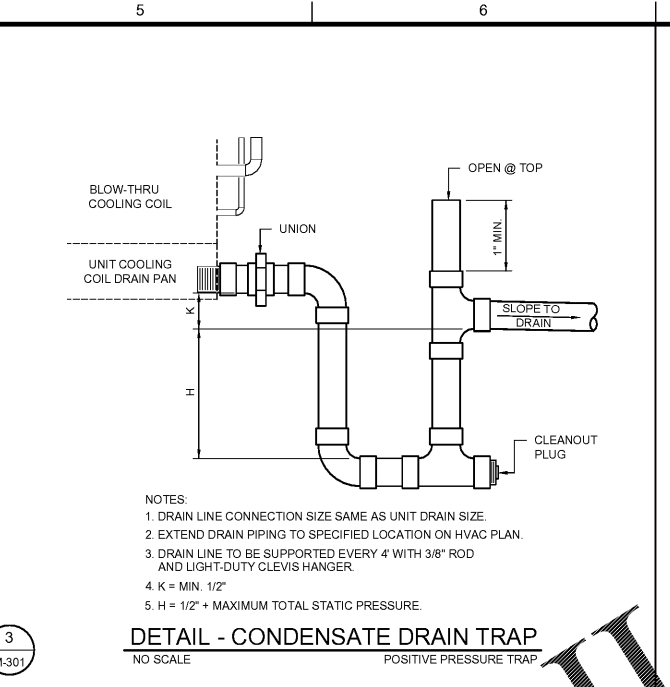


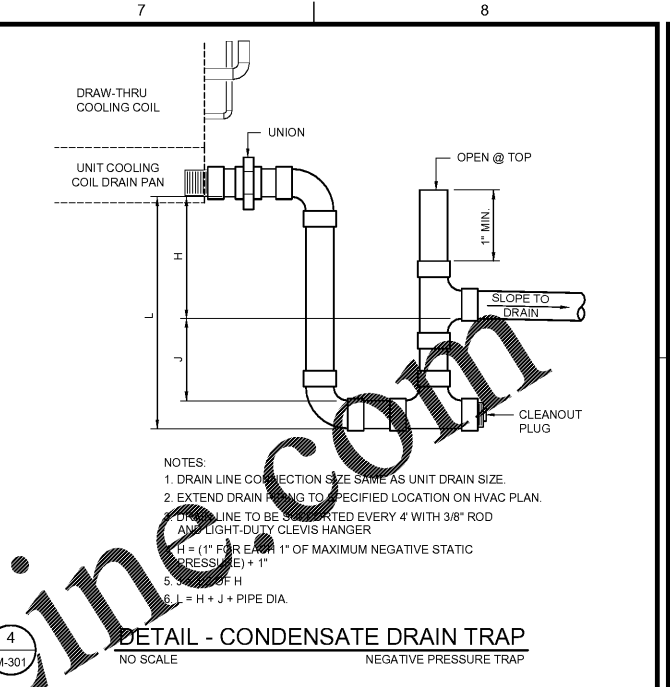
1 M-301 DOWNFLOW INDOOR FURNACE/ COOLING COIL UNIT INSTALLATION DETAIL NO SCALE



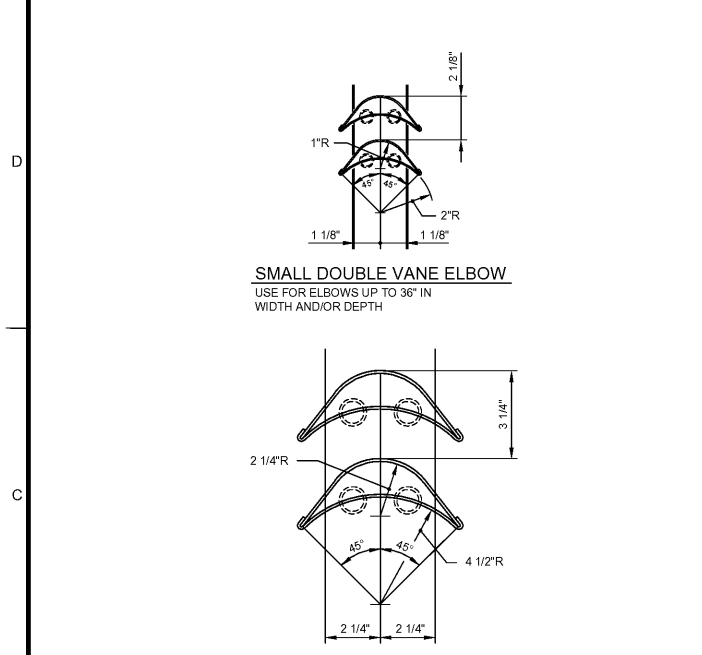
2 M-301 FLEX DUCT TAKE-OFF DETAIL NO SCALE



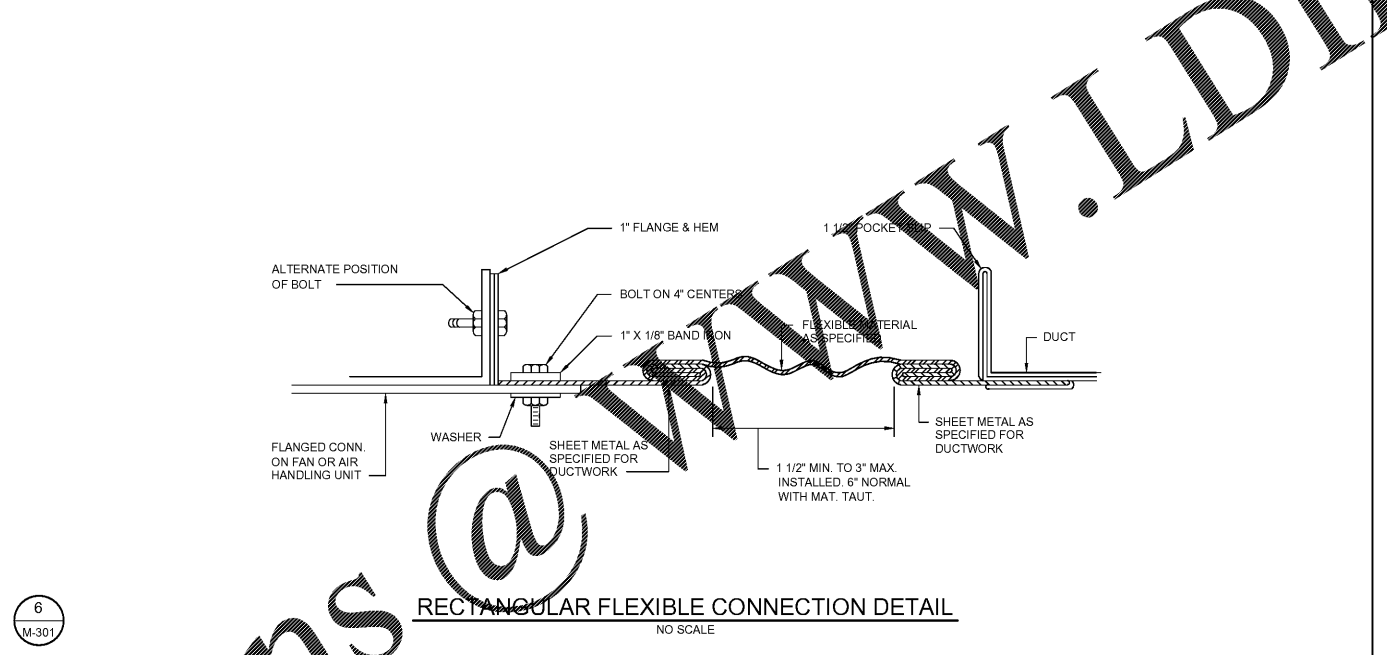
3 M-301 DETAIL - CONDENSATE DRAIN TRAP POSITIVE PRESSURE TRAP NO SCALE



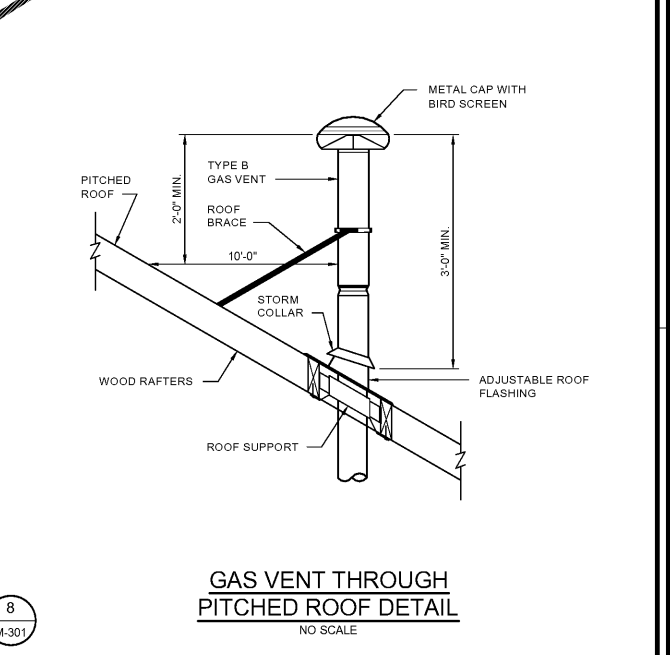
4 M-301 DETAIL - CONDENSATE DRAIN TRAP NEGATIVE PRESSURE TRAP NO SCALE



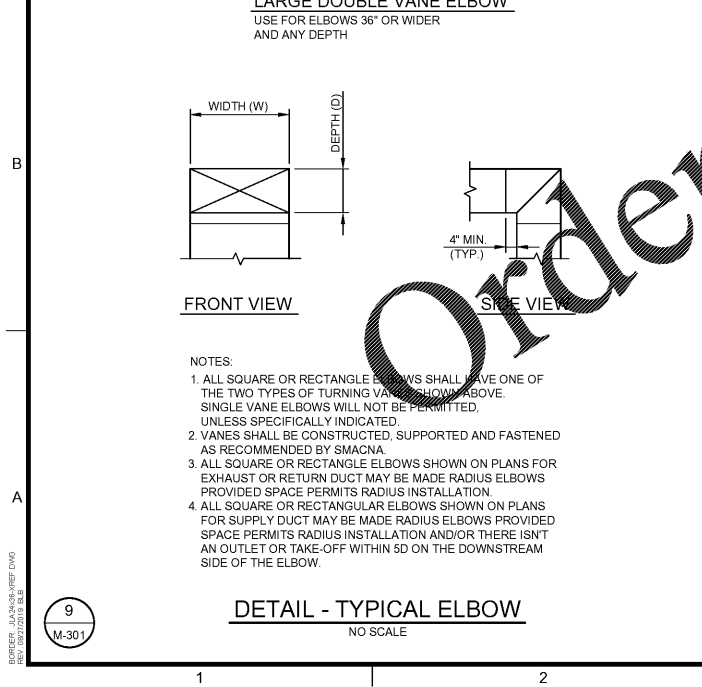
5 M-301 SMALL DOUBLE VANE ELBOW USE FOR ELBOWS UP TO 36\"/>



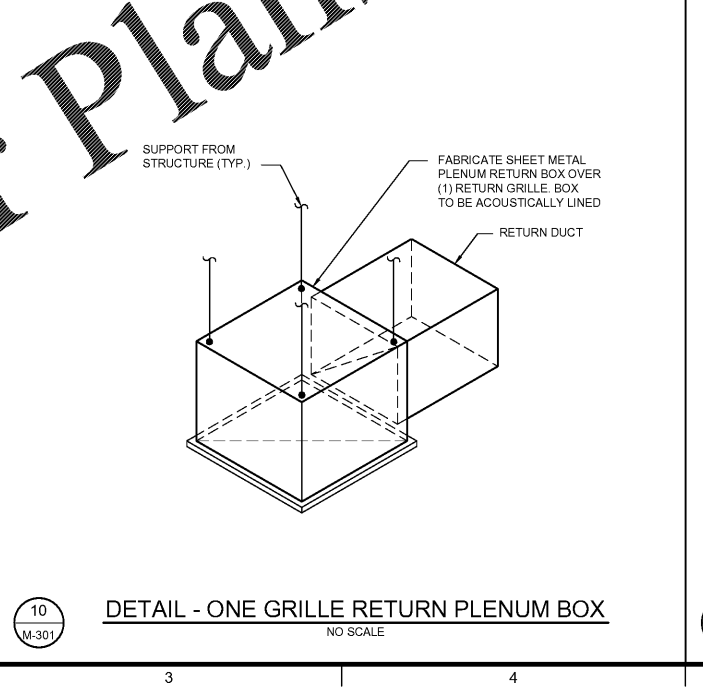
6 M-301 RECTANGULAR FLEXIBLE CONNECTION DETAIL NO SCALE



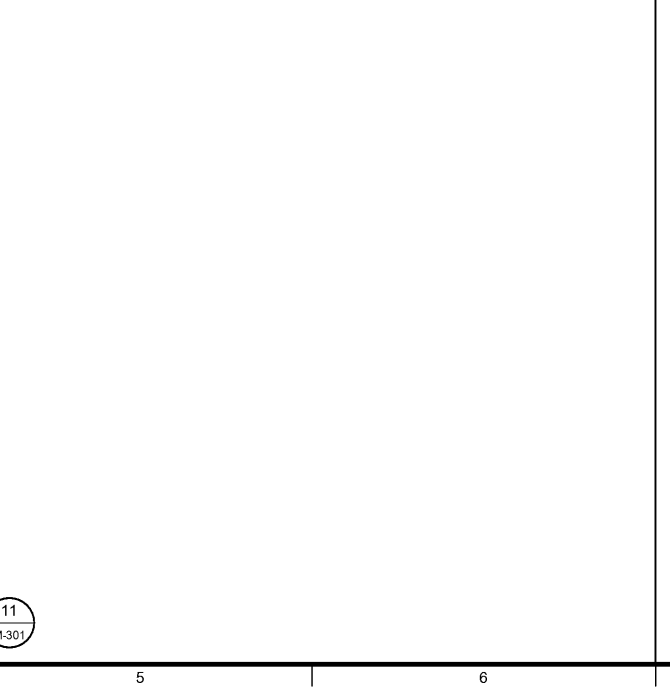
7 M-301 GAS VENT THROUGH PITCHED ROOF DETAIL NO SCALE



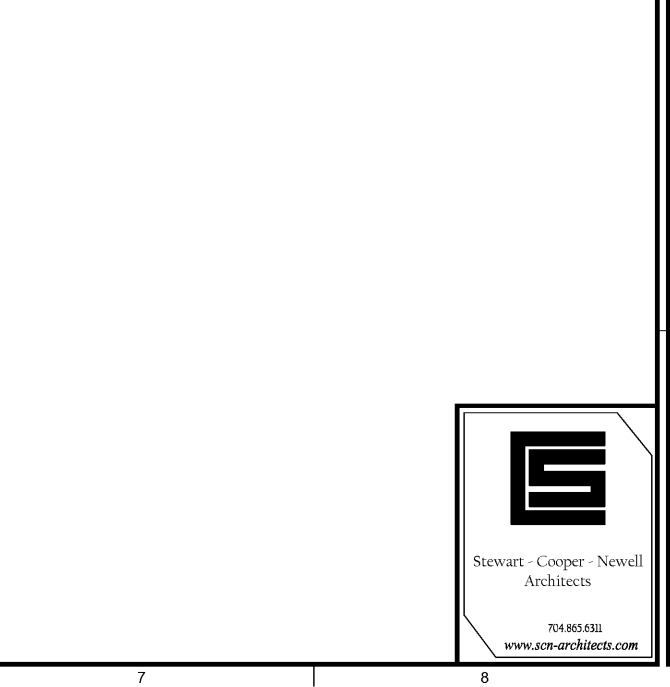
8 M-301 DETAIL - TYPICAL ELBOW NO SCALE




9 M-301 DETAIL - ONE GRILLE RETURN PLENUM BOX NO SCALE



10 M-301 DETAIL - CONDENSATE DRAIN TRAP POSITIVE PRESSURE TRAP NO SCALE



11 M-301 DETAIL - CONDENSATE DRAIN TRAP NEGATIVE PRESSURE TRAP NO SCALE



Since 1980  
Architects • Engineers • Landscape Architects

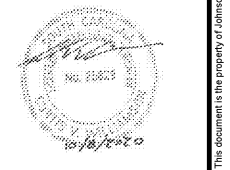
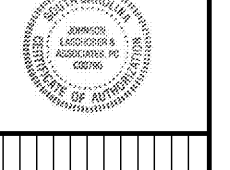
**JOHNSON, LASCHOBER & ASSOCIATES, P.C.**  
AUGUSTA, GA • MT. PLEASANT, SC  
TEL (706) 724-5756 • TEL (843) 619-4656  
FAX (706) 724-3955  
WWW.THEJLAGROUP.COM

---

CLIENT: CITY OF NORTH AUGUSTA, SC  
100 GEORGIA AVENUE, NORTH AUGUSTA, SC 29841

PROJECT NAME: **NORTH AUGUSTA FIRE STATION 1 RELOCATION**

PROJECT LOCATION: 311 W. MARTINTOWN ROAD, NORTH AUGUSTA, SC 29841


REV	DATE	BY	DESCRIPTION
0	10/08/20	CVW	ISSUED FOR BID

PROJECT NO. 3057.2003

DRAWN BY: MNB

CHECKED BY: CVW

DATE: 10/08/2020



Stewart - Cooper - Newell  
Architects

704.865.6311  
www.scn-architects.com

SHEET TITLE: **HVAC DETAILS**

SCALE: AS NOTED

DRAWING NO. **M-301** REV. **0**

K:\3057\2003\MechM-301.dwg PlotDate: 10/08/2020 2:35 PM By: Ben Rucker