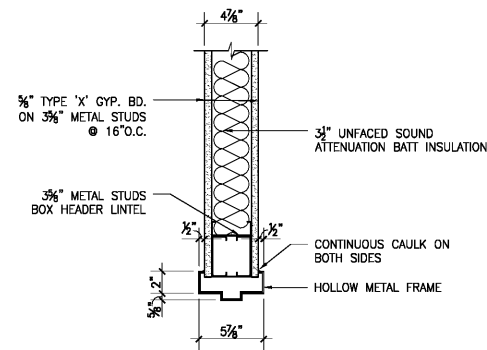
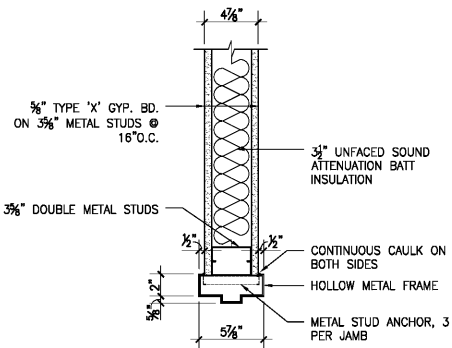


INTERIOR DOOR FRAME HEAD & JAMB DETAILS:

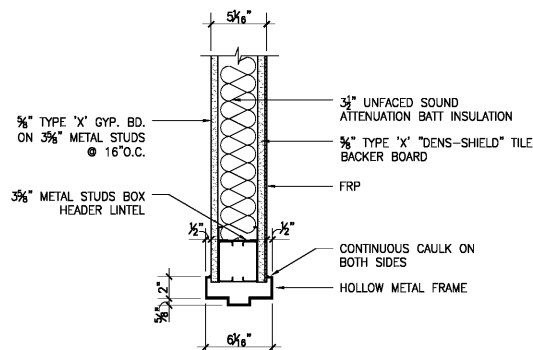


HEAD DETAIL

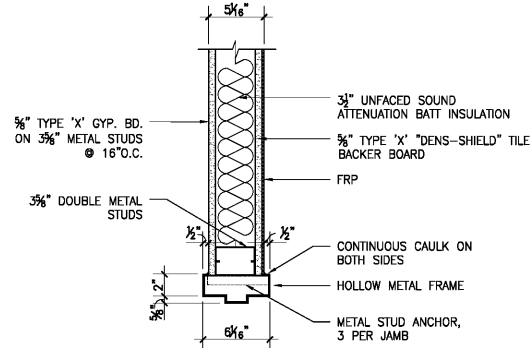


JAMB DETAIL

1 3 5/8" METAL STUD WALL
SCALE: 1 1/2" = 1'-0"

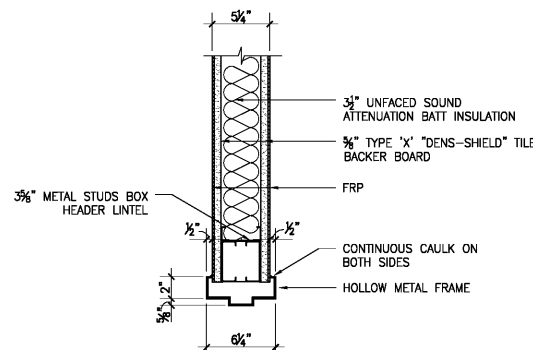


HEAD DETAIL

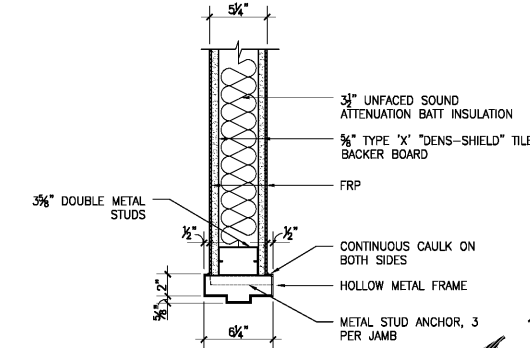


JAMB DETAIL

2 3 5/8" METAL STUD WALL
W/ FRP PANELS ON ONE SIDE
SCALE: 1 1/2" = 1'-0" LOCATION: TOILETS

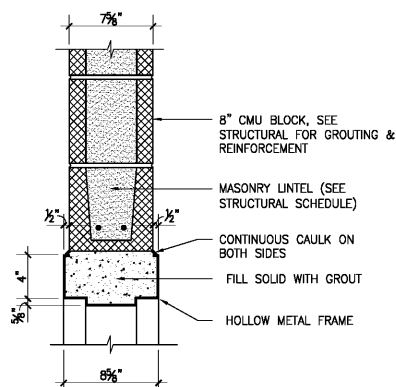


HEAD DETAIL

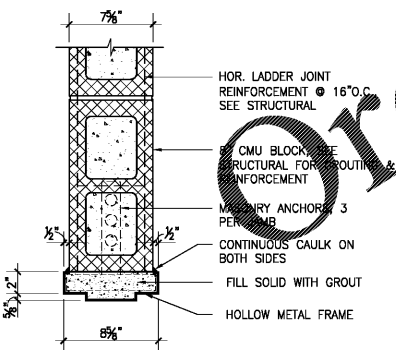


JAMB DETAIL

3 3 5/8" METAL STUD WALL
W/ FRP PANELS ON BOTH SIDES
SCALE: 1 1/2" = 1'-0" LOCATION: TOILETS

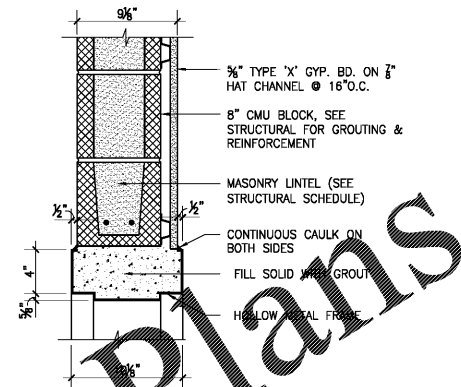


HEAD DETAIL

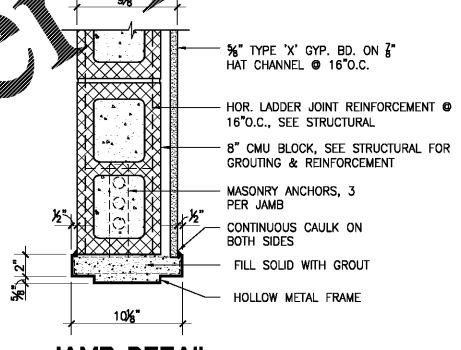


JAMB DETAIL

4 8" CMU WALL
SCALE: 1 1/2" = 1'-0"

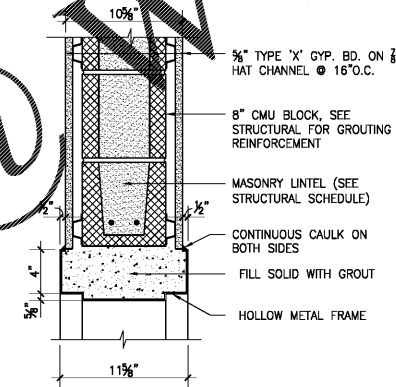


HEAD DETAIL

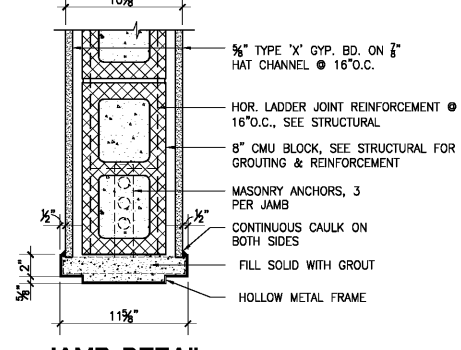


JAMB DETAIL

5 8" CMU WALL WITH
7/8 HAT CHANNEL ON ONE SIDE
SCALE: 1 1/2" = 1'-0" LOCATION: ROOM 104,107,131 & HALL 115



HEAD DETAIL

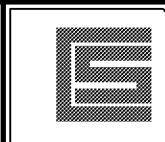


JAMB DETAIL

6 8" CMU WALL WITH
7/8 HAT CHANNEL ON BOTH SIDES
SCALE: 1 1/2" = 1'-0" LOCATION: VESTIBULE 107- DAYROOM 131

NOTE:
COORDINATE WITH WALL TAGS IN THE LIFE SAFETY PLAN A-002

GENERAL NOTES:
ALL NOTES APPLY TO ALL DRAWINGS AND ALL TRADES. IT IS THE RESPONSIBILITY OF ALL CONTRACTORS AND TRADES TO COORDINATE THE INSTALLATION OF THEIR WORK WITH THE INSTALLATION OF WORK BY ALL OTHER CONTRACTORS AND TRADES. THE REQUIREMENTS OF THE DRAWINGS, GENERAL REQUIREMENTS AND ALL ITEMS OF THE CONTRACT DOCUMENTS ARE EQUALLY BINDING ON ALL CONTRACTORS AND TRADES. EACH CONTRACTOR IS REQUIRED TO MAINTAIN FULL SETS OF THE CONTRACT DOCUMENTS FOR HIS EMPLOYEES USE ON THE PROJECT TO ASSURE THAT ALL WORK IS PROPERLY COORDINATED AND INSTALLED WITH THE WORK OF OTHER CONTRACTORS AND TRADES.
WHENEVER THERE ARE DISCREPANCIES BETWEEN DRAWINGS OR BETWEEN THE DRAWINGS AND SPECIFICATIONS, OR CONFLICTS WITHIN THE SPECIFICATIONS AND/OR DRAWINGS, AND SUCH DISCREPANCY IS NOT CALLED TO THE ARCHITECT'S ATTENTION IN TIME TO PERMIT CLARIFICATION BY ADDENDUM, THE CONTRACTOR SHALL BEAT HIS BID UPON PROVIDING THE BETTER QUALITY OR GREATER QUANTITY OR MATERIAL CALLED FOR, SHALL SUBMIT A WRITTEN STATEMENT WITH HIS PROPOSAL NOTING SUCH DISCREPANCIES, AND SHALL SO FURNISH AND INSTALL SUCH BETTER QUALITY OR GREATER QUANTITY UNLESS OTHERWISE ORDERED IN WRITING.



Stewart-Cooper-Newell
Architects
Tel. 704.865.6311
www.scn-architects.com

Since 1980
Architects • Engineers • Landscape Architects
JOHNSON, LASCHOBER &
ASSOCIATES, P.C.
AUGUSTA, GA • MT. PLEASANT, SC
TEL (706) 724-5756 • TEL (843) 619-4656
FAX (706) 724-3955
WWW.THEJLAGROUP.COM

CITY OF NORTH AUGUSTA, SC
100 GEORGIA AVENUE, NORTH AUGUSTA, SC 29841
PROJECT NAME:
**NORTH AUGUSTA
FIRE STATION 1 RELOCATION**
PROJECT LOCATION:
311 W. MARTINTOWN ROAD, NORTH AUGUSTA, SC 29841



REV	DATE	BY	ISSUED FOR	DESCRIPTION
0	10/08/20	KCN	AS NOTED	

PROJECT NO. 3057.2003 (1576)
DRAWN BY: GYS / GEC
CHECKED BY: KCN
DATE: 10/08/2020

SHEET TITLE
**INTERIOR
DOOR HEAD &
JAMB DETAILS**
SCALE: AS NOTED
DRAWING NO. **A-604**
REV. **0**

LDIline.com

Order Plans @ WWW.LDIline.com