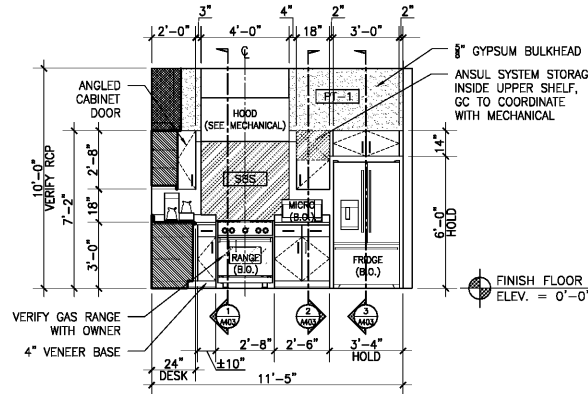
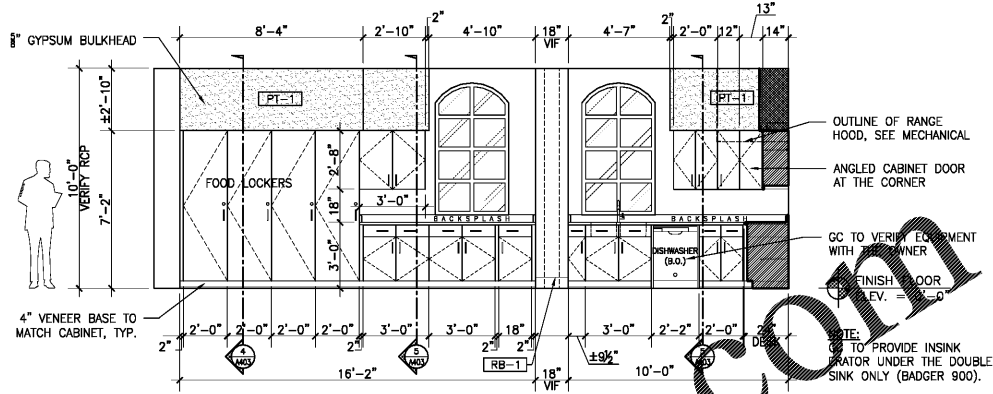


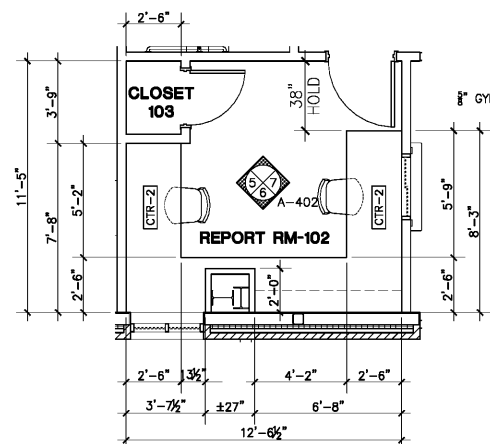
1 KITCHEN-130 & DINING-129  
SCALE: 1/4" = 1'-0"



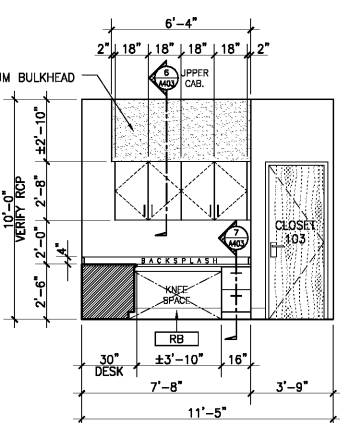
2 KITCHEN ELEVATION  
SCALE: 1/4" = 1'-0"



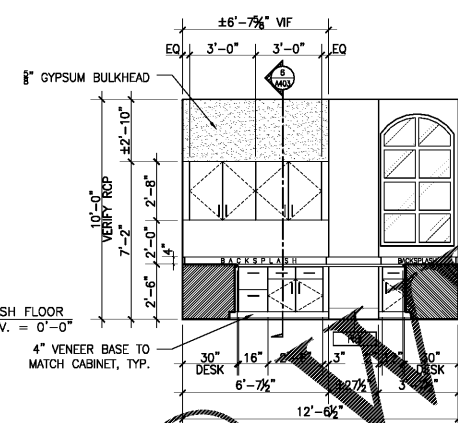
3 DINING & KITCHEN ELEVATION  
SCALE: 1/4" = 1'-0"



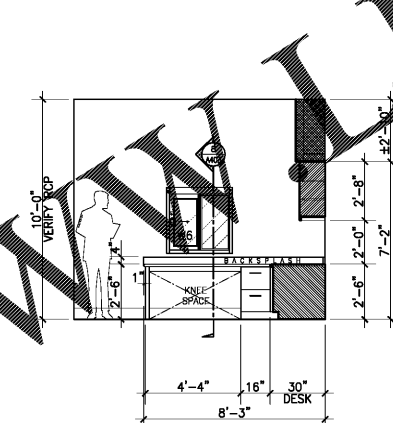
4 REPORT ROOM-102  
SCALE: 1/4" = 1'-0"



5 ELEVATION  
SCALE: 1/4" = 1'-0"



6 ELEVATION  
SCALE: 1/4" = 1'-0"



7 ELEVATION  
SCALE: 1/4" = 1'-0"

**CASEWORK HARDWARE SCHEDULE**

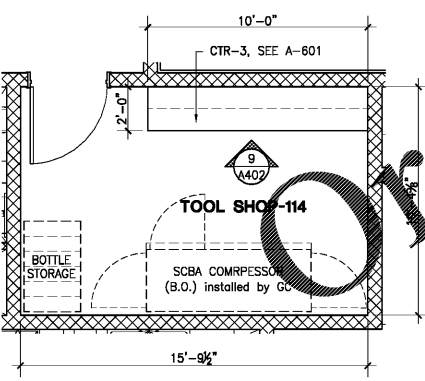
**MANUFACTURERS:**

- HINGES (5-KNUCKLE HINGE) - RPC-454 (BASIS OF DESIGN), BLUM, HAFELE, K&V
- DOOR AND DRAWER PULLS - BALDWIN, STANLEY, HAFELE
- SINGLE ROLLER CATCHES - BALDWIN, STANLEY, HAFELE
- DRAWER SLIDES - BLUM, HAFELE, K&V
- CABINET DOOR & DRAWER LOCKS - YALE, SCHLAGE, STANLEY
- ADJUSTABLE SHELF SUPPORTS - SEE BELOW IMAGE.

**NOTES:**

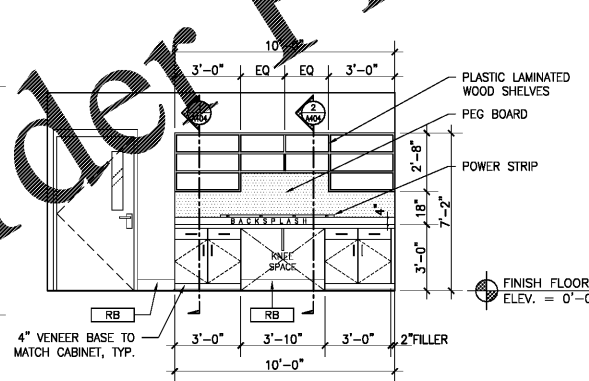
- SEE FINISH SCHEDULE AT A-601 FOR FINISH TAG REFERENCE.
- ALL VENEERED PLYWOOD TO MATCH DOOR FINISH.
- IF THERE'S A FINISH TAG DISCREPANCY, GC TO RFI FROM THE ARCHITECT PRIOR TO EXECUTION OF WORK.
- COORDINATE ELECTRICAL POWER PLACEMENT WITH THE ELECTRICAL PLAN.
- COORDINATE PLUMBING STUB-OUTS FOR WATER & WASTE LINES WITH THE PLUMBING PLAN.
- ALIGN HINGES TO THE ADJACENT CABINET HINGES.

ITEM	TYPE	FINISH
HINGES	(2) 3/8" DOOR FIVE KNUCKLE, OVERLAY TYPE, HOSPITAL TIPPED, 0.095 THICK	US 14, BRIGHT NICKEL
PULLS	4" WIRE PULL WITH 1/8" PROJECTION & RADIUS CORNER	US 14, BRIGHT NICKEL
CABINET CATCHES	SURFACE MOUNTED SINGLE ROLLER CATCH	US 14, BRIGHT NICKEL
DRAWER SLIDES	CABINET MANUFACTURERS STANDARD EQUAL TO BLUM FULL EXTENSION DRAWER GUIDES (BLUMOTION SOFT CLOSE)	COATED STEEL
CABINET DOOR & DRAWER LOCKS	5-DISC TUMBLER CAM TYPE	US 14, BRIGHT NICKEL
ADJUSTABLE SUPPORTS	METAL SHELF SUPPORT WITH CLEAR VINYL COATING	

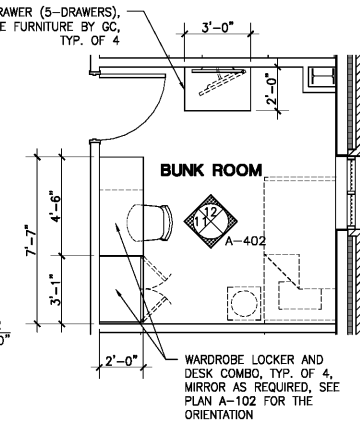


8 TOOL SHOP-102  
SCALE: 1/4" = 1'-0"

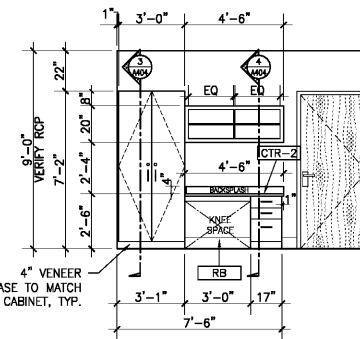
NOTE: FOR TOOL SHOP-114 ONLY. USE PLASTIC LAMINATED FOR ALL CABINETS, DRAWERS, & SHELVES. USE WILSONART PREMIUM LAMINATE, COLOR: TBD DURING CONSTRUCTION.



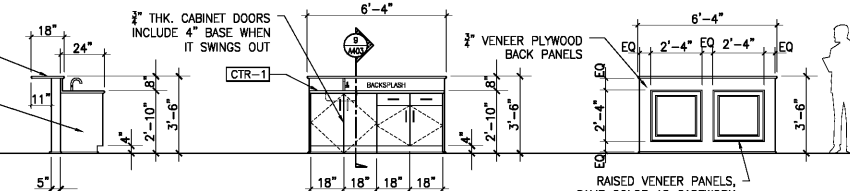
9 ELEVATION  
SCALE: 1/4" = 1'-0"



10 BUNK ROOM, TYP.  
SCALE: 1/4" = 1'-0"



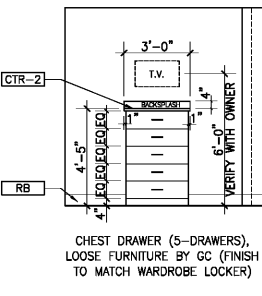
11 ELEVATION  
SCALE: 1/4" = 1'-0"



13 ELEVATION  
SCALE: 1/4" = 1'-0"

14 ELEVATION  
SCALE: 1/4" = 1'-0"

15 ELEVATION  
SCALE: 1/4" = 1'-0"



12 ELEVATION  
SCALE: 1/4" = 1'-0"

**GENERAL NOTES:**

ALL NOTES APPLY TO ALL DRAWINGS AND ALL TRADES. IT IS THE RESPONSIBILITY OF ALL CONTRACTORS AND TRADES TO COORDINATE THE INSTALLATION OF THEIR WORK WITH THE INSTALLATION OF WORK BY ALL OTHER CONTRACTORS AND TRADES. THE REQUIREMENTS OF THE CONTRACT DOCUMENTS ARE EQUALLY BINDING ON ALL CONTRACTORS AND TRADES. EACH CONTRACTOR IS REQUIRED TO MAINTAIN FULL SETS OF THE CONTRACT DOCUMENTS FOR HIS EMPLOYEES USE ON THE PROJECT TO ASSURE THAT ALL WORK IS PROPERLY COORDINATED AND INSTALLED WITH THE WORK OF OTHER CONTRACTORS AND TRADES.

WHENEVER THERE ARE DISCREPANCIES BETWEEN DRAWINGS, OR BETWEEN THE DRAWINGS AND SPECIFICATIONS, OR CONFLICTS WITHIN THE SPECIFICATIONS AND/OR DRAWINGS, AND SUCH DISCREPANCY IS NOT CALLED TO THE ARCHITECT'S ATTENTION IN TIME TO PERMIT CLARIFICATION BY ADDENDUM, THE CONTRACTOR SHALL BASE HIS BID UPON PROVIDING THE BETTER QUALITY OR GREATER WORK OR MATERIAL CALLED FOR. SHALL SUBMIT A WRITTEN STATEMENT WITH HIS PROPOSAL NOTING SUCH DISCREPANCIES, AND SHALL SO FURNISH AND INSTALL SUCH BETTER QUALITY OR GREATER QUANTITY UNLESS OTHERWISE ORDERED IN WRITING.

Stewart - Cooper - Newell Architects  
Tel. 704.865.6311  
www.scn-architects.com

PROJECT NO. 3057.2003 (1676)  
DRAWN BY: GYS / GEC  
CHECKED BY: KCN  
DATE: 10/08/2020  
SHEET TITLE: CASEWORK PLANS & ELEVATIONS FOR KITCHEN, REPORT ROOM & TOOL SHOP  
SCALE: AS NOTED  
DRAWING NO. A-402  
REV. 0

CITY OF NORTH AUGUSTA, SC  
100 GEORGIA AVENUE, NORTH AUGUSTA, SC 29841  
PROJECT NAME: NORTH AUGUSTA FIRE STATION 1 RELOCATION  
PROJECT LOCATION: 3111 W. MARTINTOWN ROAD, NORTH AUGUSTA, SC 29841

STEWART-COOPER-NEWELL ARCHITECTS, P.A.  
CERT. NO. C-82008  
GASTONIA, NC

STATE OF SOUTH CAROLINA  
KENNETH CHARLES NEWELL  
GASTONIA, NC 04827  
09/28/2020  
REGISTERED ARCHITECT

**JLA**  
Since 1980  
Architects • Engineers • Landscape Architects  
JOHNSON, LASCHNER & ASSOCIATES, P.C.  
AUGUSTA, GA • MT. PLEASANT, SC  
TEL (706) 724-5756 • TEL (843) 619-4656  
FAX (706) 724-3955  
WWW.THEJLAGROUP.COM

This document is the property of Johnson, Laschner & Associates, P.C. The unauthorized reproduction, copying or otherwise use of this document is strictly prohibited and any infringement thereupon may be subject to legal action.