



Since 1980

Architects • Engineers • Landscape Architects

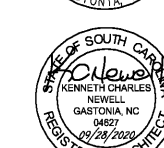
JOHNSON, LASCHOBER & ASSOCIATES, P.C.

AUGUSTA, GA • MT. PLEASANT, SC  
TEL (706) 724-5756 • TEL (843) 619-4656  
FAX (706) 724-3955  
WWW.THEJLAGROUP.COM

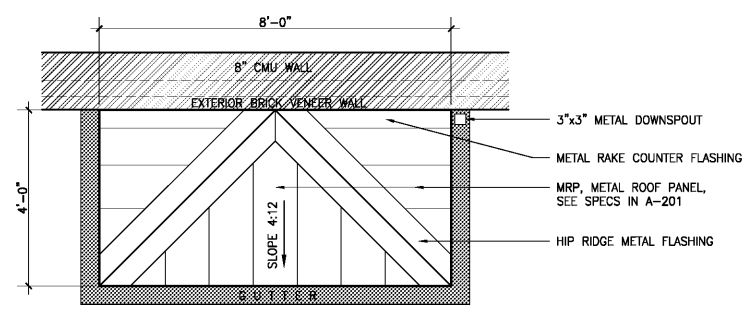
CLIENT: CITY OF NORTH AUGUSTA, SC  
100 GEORGIA AVENUE, NORTH AUGUSTA, SC 29841

PROJECT NAME: NORTH AUGUSTA FIRE STATION 1 RELOCATION

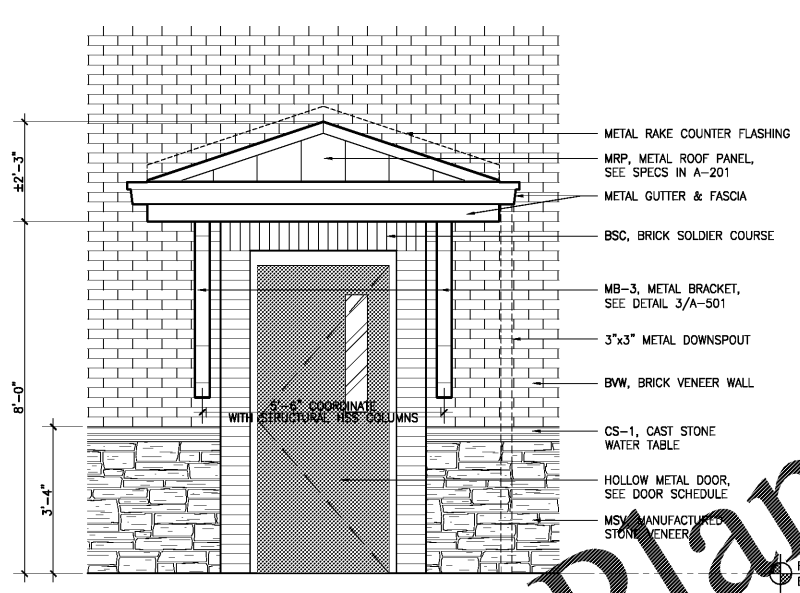
PROJECT LOCATION: 311 W. MARTINTOWN ROAD, NORTH AUGUSTA, SC 29841



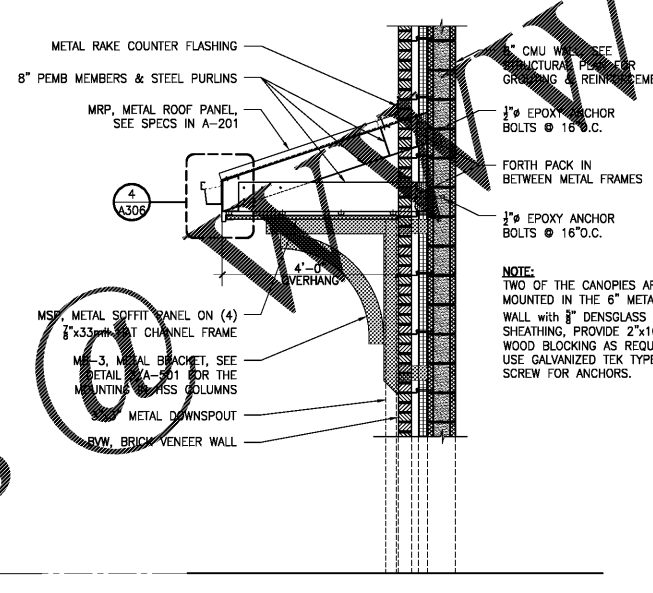
This document is the property of Johnson, Laschober & Associates, P.C. The unauthorized reproduction, copying or otherwise use of this document is strictly prohibited and any infringement thereupon may be subject to legal action.



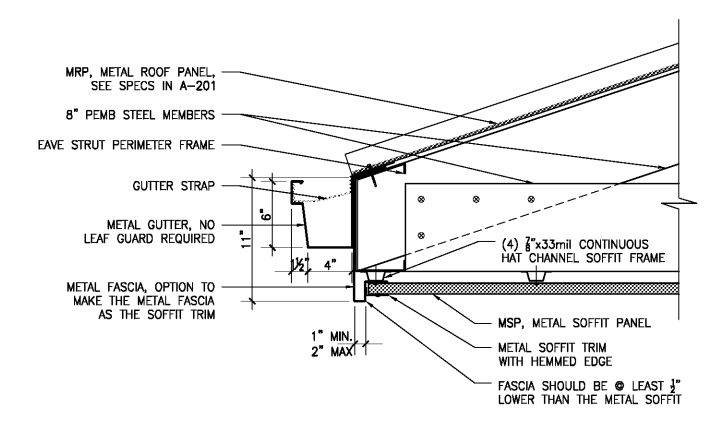
1 CANOPY PLAN OVER EXTERIOR DOOR  
SCALE: 1/2" = 1'-0" (QUANTITY: TYPICAL OF 4)  
NOTE: SEE RCP IN A-105.



2 CANOPY ELEVATION OVER EXTERIOR DOOR  
SCALE: 1/2" = 1'-0" (QUANTITY: TYPICAL OF 4)



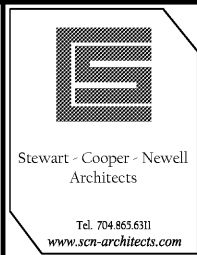
3 CANOPY SECTION OVER EXTERIOR DOOR  
SCALE: 1/2" = 1'-0" (QUANTITY: TYPICAL OF 4)



4 EAVE DETAIL @ CANOPY  
SCALE: 1-1/2" = 1'-0"

Order Plans

GENERAL NOTES:  
ALL NOTES APPLY TO ALL DRAWINGS AND ALL TRADES. IT IS THE RESPONSIBILITY OF ALL CONTRACTORS AND TRADES TO COORDINATE THE INSTALLATION OF THEIR WORK WITH THE INSTALLATION OF WORK BY ALL OTHER CONTRACTORS AND TRADES. THE REQUIREMENTS OF THE DRAWINGS, GENERAL REQUIREMENTS AND ALL ITEMS OF THE CONTRACT DOCUMENTS ARE EQUALLY BINDING ON ALL CONTRACTORS AND TRADES. EACH CONTRACTOR IS REQUIRED TO MAINTAIN FULL SETS OF THE CONTRACT DOCUMENTS FOR HIS EMPLOYEES USE ON THE PROJECT TO ASSURE THAT ALL WORK IS PROPERLY COORDINATED AND INSTALLED WITH THE WORK OF OTHER CONTRACTORS AND TRADES.  
WHENEVER THERE ARE DISCREPANCIES BETWEEN DRAWINGS, OR BETWEEN THE DRAWINGS AND SPECIFICATIONS, OR CONFLICTS WITHIN THE SPECIFICATIONS AND/OR DRAWINGS, AND SUCH DISCREPANCY IS NOT CALLED TO THE ARCHITECT'S ATTENTION IN TIME TO PERMIT CLARIFICATION BY ADDENDUM, THE CONTRACTOR SHALL BASE HIS BID UPON PROVIDING THE BETTER QUALITY OR GREATER WORK OR MATERIAL CALLED FOR, SHALL SUBMIT A WRITTEN STATEMENT WITH HIS PROPOSAL NOTING SUCH DISCREPANCIES, AND SHALL SO FURNISH AND INSTALL SUCH BETTER QUALITY OR GREATER QUANTITY UNLESS OTHERWISE ORDERED IN WRITING.



| REV | DATE     | ISSUED FOR | DESCRIPTION |
|-----|----------|------------|-------------|
| 0   | 10/08/20 | KCN        | BY          |

PROJECT NO. 3057.2003 (1578)  
DRAWN BY: GYS / GEC  
CHECKED BY: KCN  
DATE: 10/08/2020  
SHEET TITLE: EXTERIOR CANOPY DETAILS  
SCALE: AS NOTED  
DRAWING NO. A-306  
REV. 0

NOTICE: PLANING DESIGNED BY GYS/2020